

OG019A

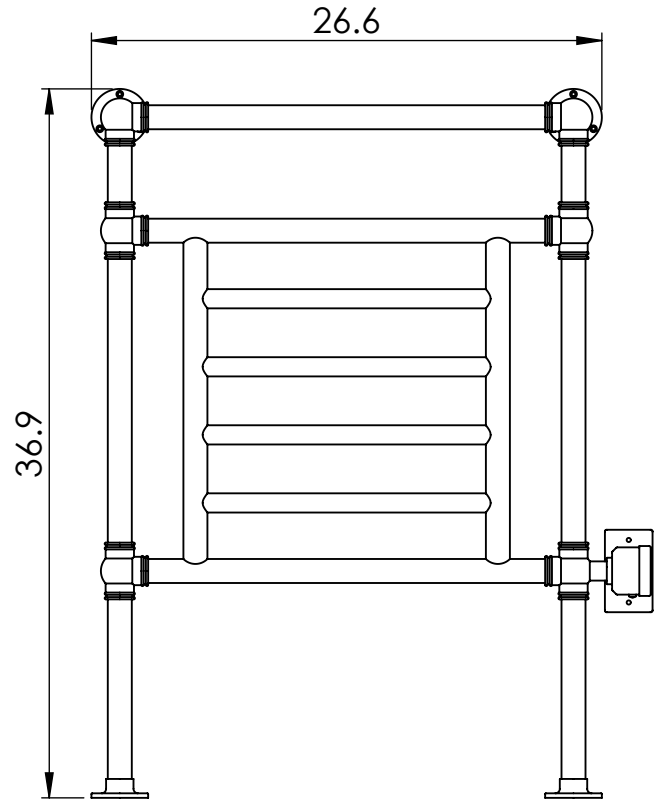
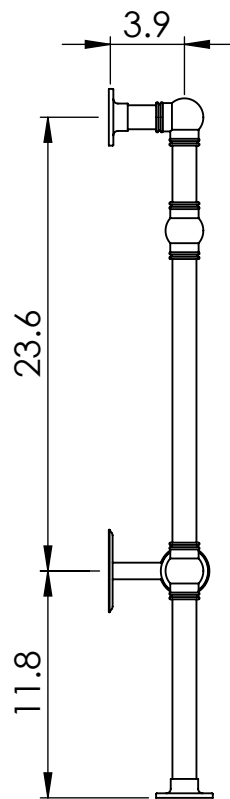
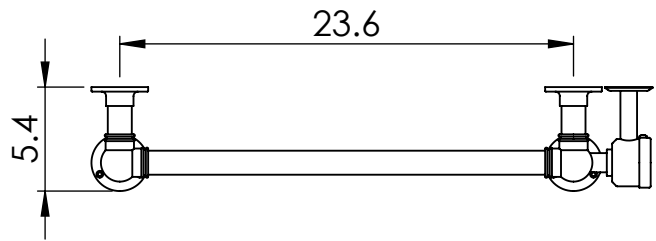
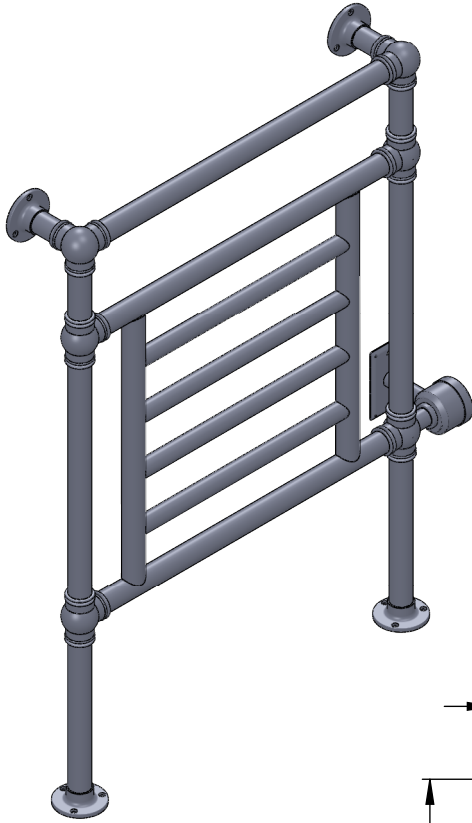
37.0x26.6

Height: 37.0
 Width: 26.6
 Depth: 5.4
 Weight HO: 14.3lbs (6.5kg)
 EO: 29.8lbs (13.5kg)

Tube ϕ : 1.25 + 1.0
 Output @ 50° C Δ T: n/a
 Elec. element if specified: 125
 Face-Face Connections: n/a

All dimensions in inches

Manufactured from ISO/CEN CuZn36As (BS CZ126) brass tube



| inches | mm |
|--------|-----|
| 36.9 | 935 |
| 26.6 | 675 |
| 5.4 | 138 |
| 23.6 | 600 |
| 11.8 | 300 |
| 23.6 | 600 |
| 3.9 | 100 |

Vogue UK Ltd. reserve the right to alter specifications without prior notice.
 ALL MEASUREMENTS ARE NOMINAL DIMENSIONS ONLY, AND ARE NOT BINDING.



SCALE 1:10

VOGUE

TOWEL DRYERS

175 Memorial Drive Unit C
 Shrewsbury MA 01545 USA
 Tel: 508 887 8771 Fax: 508 887 8774
 e-mail: info@vogueuk.com www.vogueuk.com