

OG017

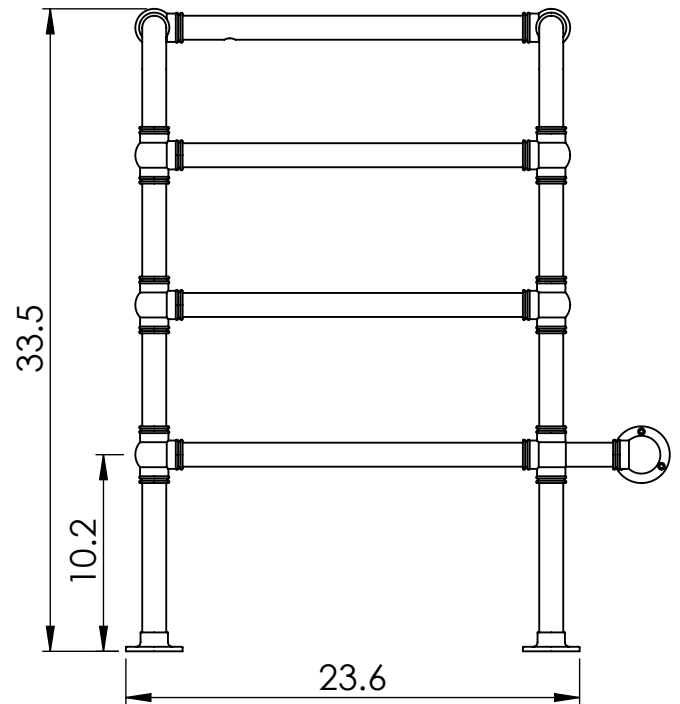
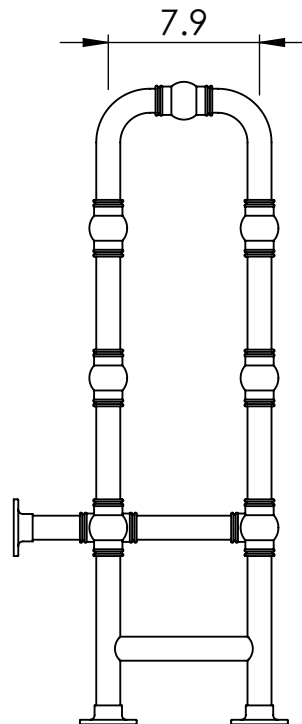
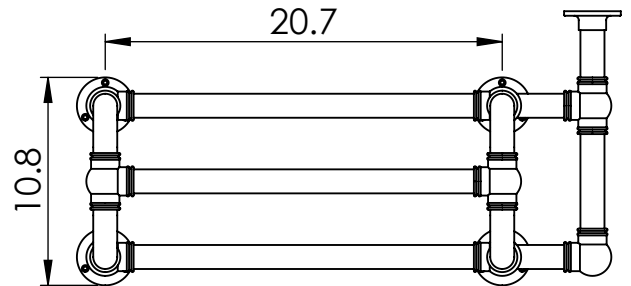
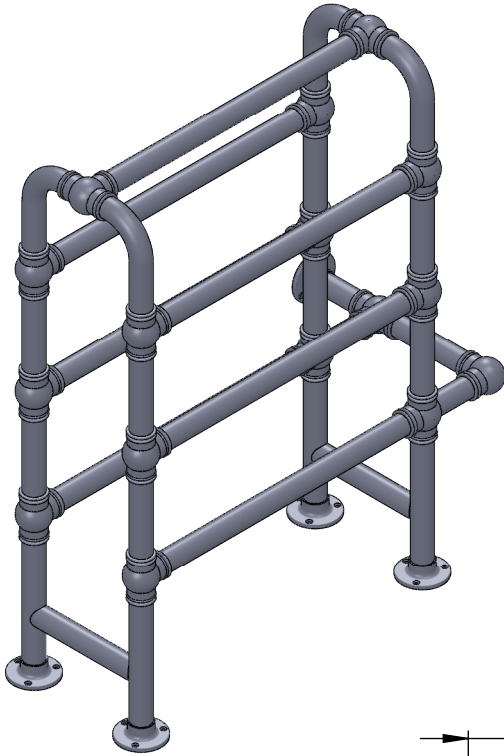
33.5x23.6

Height: 33.5
 Width: 23.6
 Depth: 10.8
 Weight HO: 32.0lbs (14.5kg)
 EO: 45.2lbs (20.5kg)

Tube ϕ : 1.25
 Output @ 50° C Δ T: n/a
 Elec. element if specified: 2 x 125
 Face-Face Connections: n/a

All dimensions in inches

Manufactured from ISO/CEN CuZn36As (BS CZ126) brass tube



inches	mm
33.5	850
23.6	600
10.8	275
10.2	260
20.7	525
7.9	200

Vogue UK Ltd. reserve the right to alter specifications without prior notice.
 ALL MEASUREMENTS ARE NOMINAL DIMENSIONS ONLY, AND ARE NOT BINDING.



SCALE 1:10

VOGUE

TOWEL DRYERS

175 Memorial Drive Unit C
 Shrewsbury MA 01545 USA
 Tel: 508 887 8771 Fax: 508 887 8774
 e-mail: info@vogueuk.com www.vogueuk.com