

# OG013B

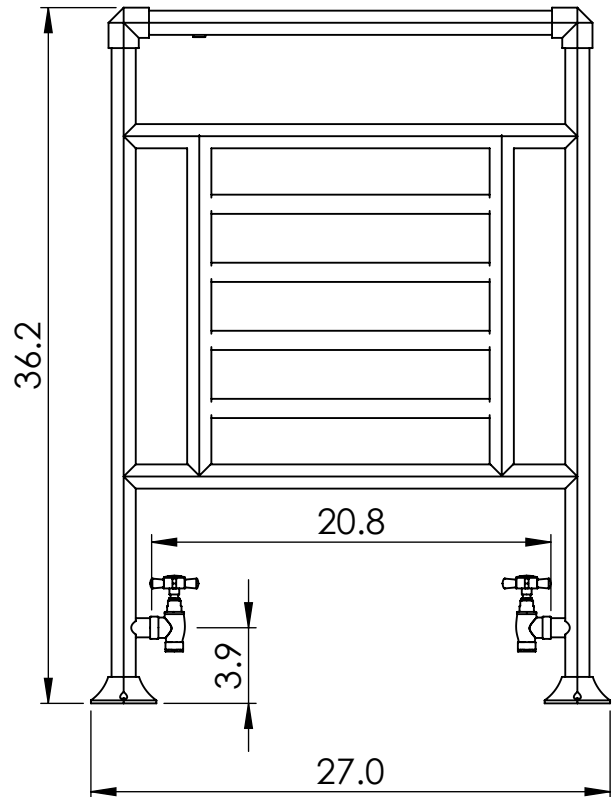
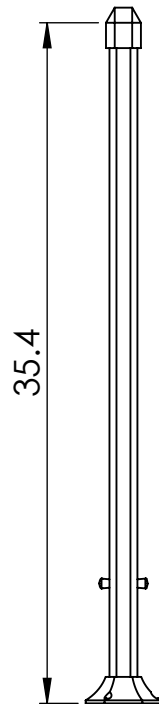
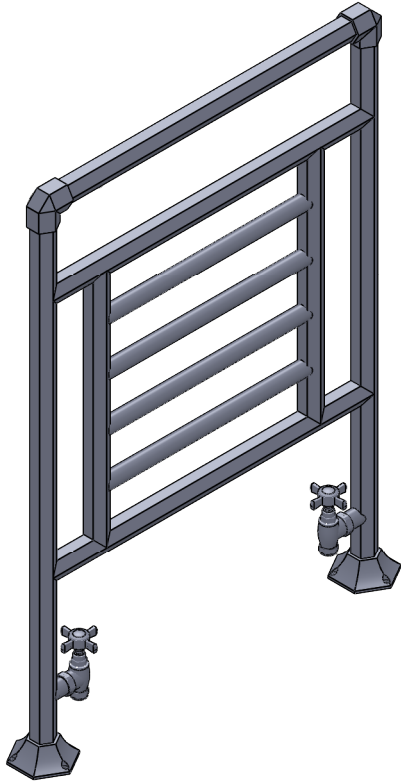
## 36.2x27.0

Height: 36.2  
 Width: 27.0  
 Depth: 3.9  
 Weight HO: lbs (kg)  
 EO: lbs (kg)

Tube  $\phi$ : 1.26 Hex + 1.0  
 Output @ 50°C  $\Delta$  T: 351  
 Elec. element if specified: n/a  
 Face-Face Connections: 20.8

All dimensions in inches

Manufactured from ISO/CEN CuZn36As (BS CZ126) brass tube



inches	mm
36.2	920
27.0	686
3.9	100
35.4	900
23.6	600
20.8	528
3.9	100

Vogue UK Ltd. reserve the right to alter specifications without prior notice.  
 ALL MEASUREMENTS ARE NOMINAL DIMENSIONS ONLY, AND ARE NOT BINDING.



**SCALE 1:10**

# VOGUE

UK  
 TOWEL DRYERS

175 Memorial Drive Unit C  
 Shrewsbury MA 01545 USA  
 Tel: 508 887 8771 Fax: 508 887 8774  
 e-mail: info@vogueuk.com www.vogueuk.com