

OG013B

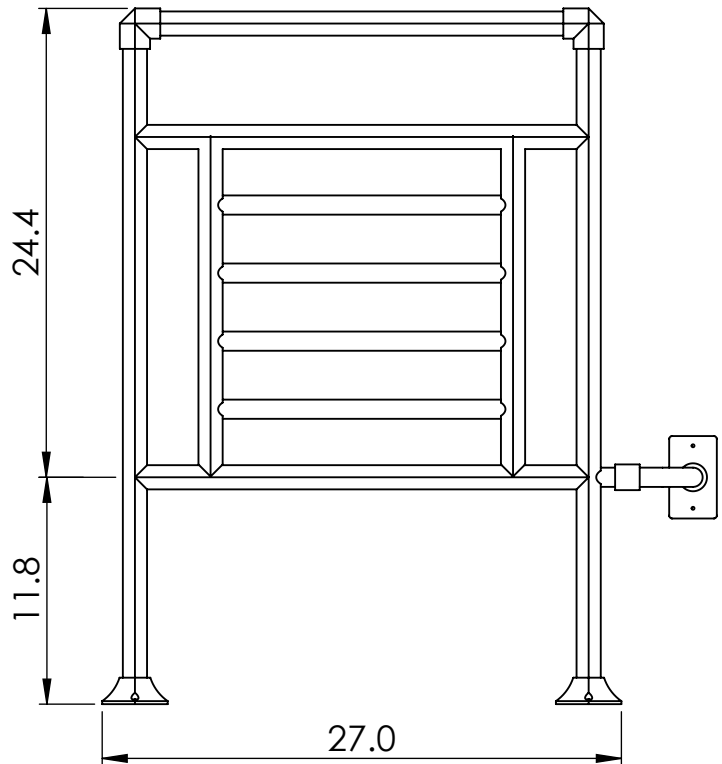
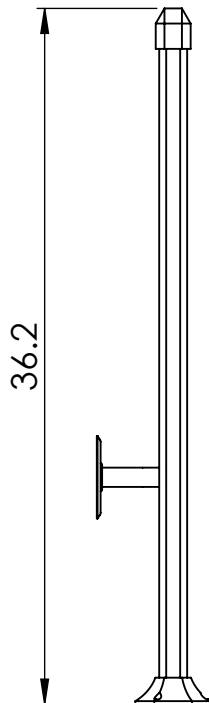
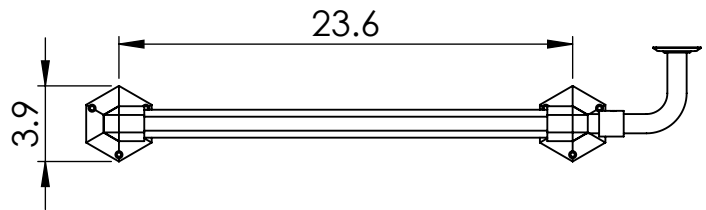
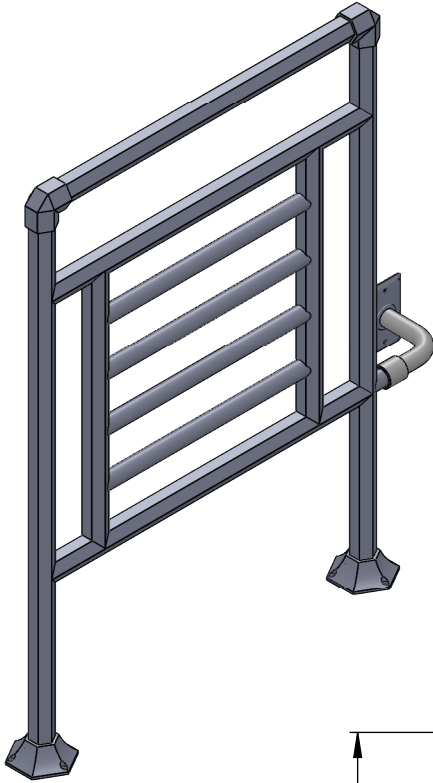
36.2x27.0

Height: 36.2
 Width: 27.0
 Depth: 3.9
 Weight HO: lbs (kg)
 EO: lbs (kg)

Tube ϕ : 1.26 Hex + 1.0
 Output @ 50°C Δ T: n/a
 Elec. element if specified: 125
 Face-Face Connections: n/a

All dimensions in inches

Manufactured from ISO/CEN CuZn36As (BS CZ126) brass tube



inches	mm
36.2	920
27.0	686
3.9	100
24.4	620
11.8	300
23.6	600

Vogue UK Ltd. reserve the right to alter specifications without prior notice.
 ALL MEASUREMENTS ARE NOMINAL DIMENSIONS ONLY, AND ARE NOT BINDING.



SCALE 1:10

VOGUE

UK
 TOWEL DRYERS

175 Memorial Drive Unit C
 Shrewsbury MA 01545 USA
 Tel: 508 887 8771 Fax: 508 887 8774
 e-mail: info@vogueuk.com www.vogueuk.com