

OG012A

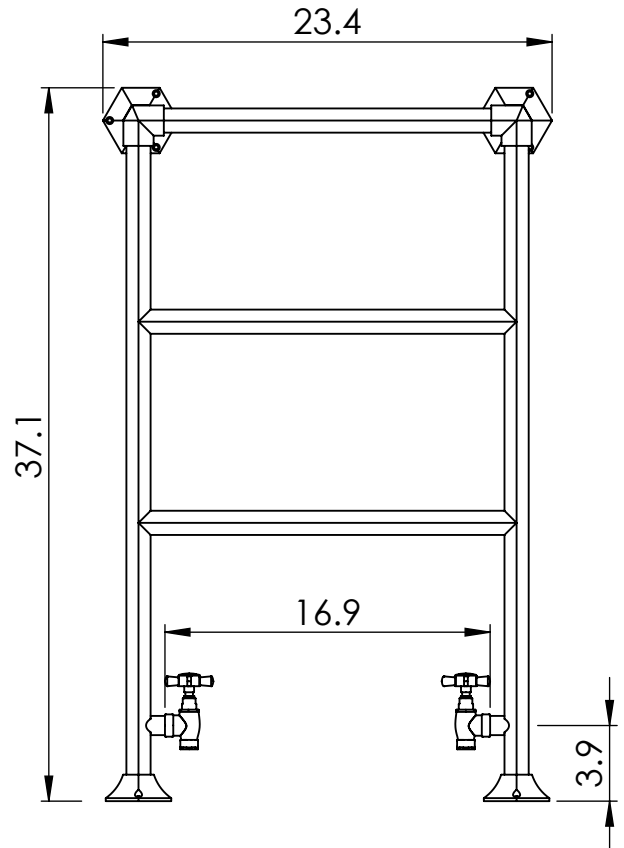
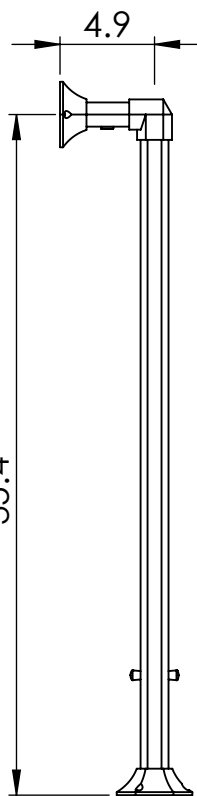
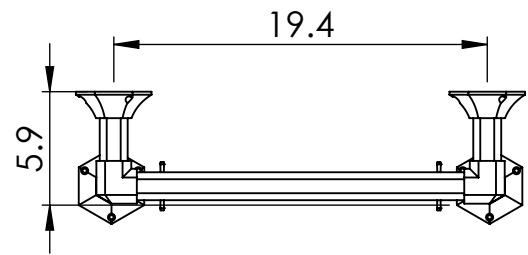
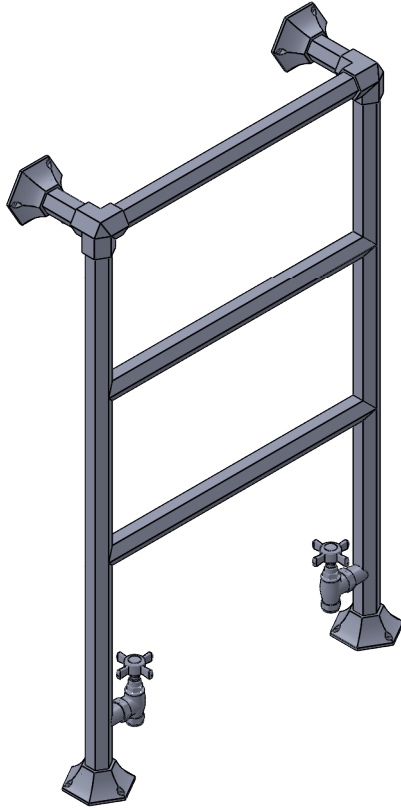
37.1x23.4

Height: 37.1
 Width: 23.4
 Depth: 6.9
 Weight HO: lbs (kg)
 EO: lbs (kg)

Tube ϕ : 1.26 Hex
 Output @ 50°C Δ T: 200
 Elec. element if specified: n/a
 Face-Face Connections: 16.9

All dimensions in inches

Manufactured from ISO/CEN CuZn36As (BS CZ126) brass tube



inches	mm
37.1	943
23.4	594
5.9	150
35.4	900
19.4	494
4.9	125
16.9	428
3.9	100

Vogue UK Ltd. reserve the right to alter specifications without prior notice.
 ALL MEASUREMENTS ARE NOMINAL DIMENSIONS ONLY, AND ARE NOT BINDING.



SCALE 1:10

VOGUE

UK
 TOWEL DRYERS

175 Memorial Drive Unit C
 Shrewsbury MA 01545 USA
 Tel: 508 887 8771 Fax: 508 887 8774
 e-mail: info@vogueuk.com www.vogueuk.com