

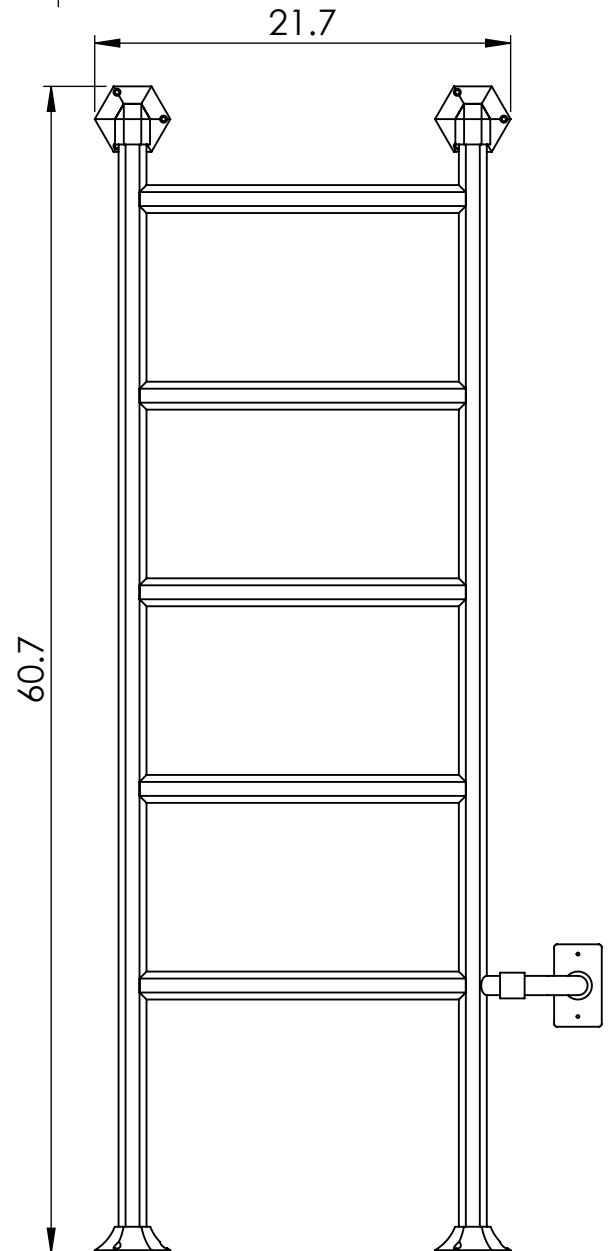
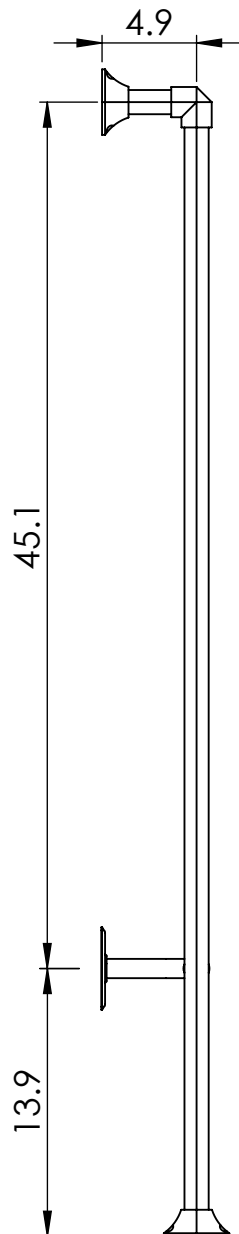
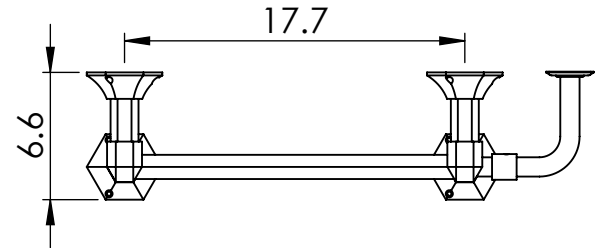
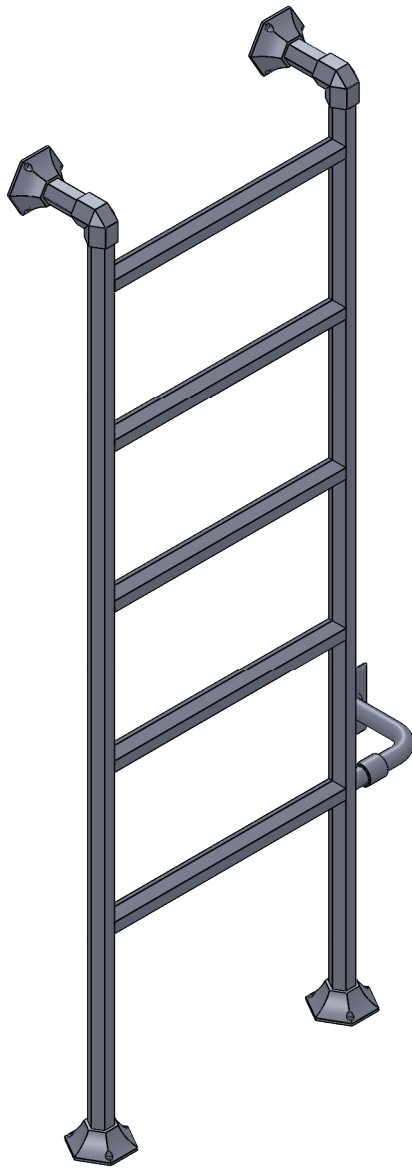
OG011A 60.7x21.7

Height: 60.7
Width: 21.7
Depth: 6.6
Weight HO: 29.8lbs (13.5kg)
EO: 43.0lbs (19.5kg)

Tube ϕ : 1.26 Hex
Output @ 50°C Δ T: n/a
Elec. element if specified: 125
Face-Face Connections: n/a

All dimensions in inches

Manufactured from ISO/CEN CuZn36As (BS CZ126) brass tube



inches	mm
60.7	1543
21.7	550
6.6	168
45.1	1145
13.9	355
17.7	450
4.9	125

Vogue UK Ltd. reserve the right to alter specifications without prior notice.
ALL MEASUREMENTS ARE NOMINAL DIMENSIONS ONLY, AND ARE NOT BINDING.



SCALE 1:10

VOGUE

TOWEL DRYERS

175 Memorial Drive Unit C
Shrewsbury MA 01545 USA
Tel: 508 887 8771 Fax: 508 887 8774
e-mail: info@vogueuk.com www.vogueuk.com