

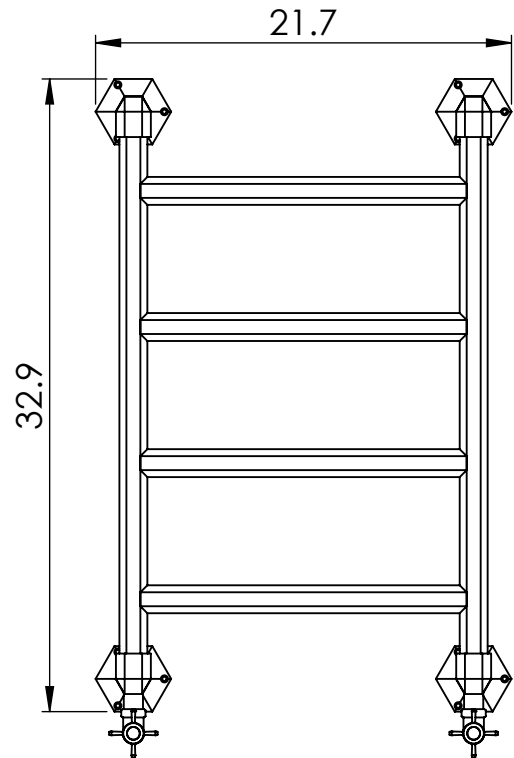
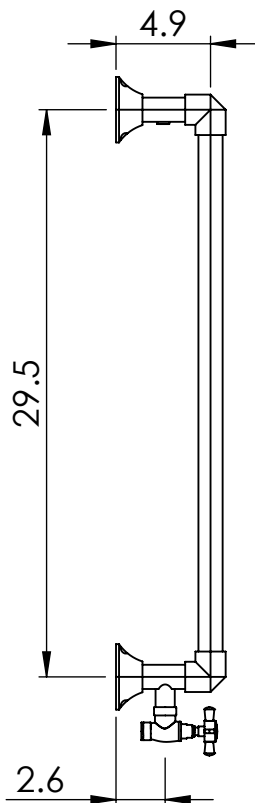
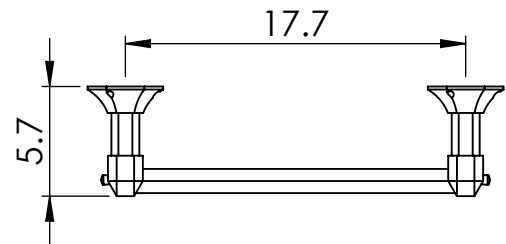
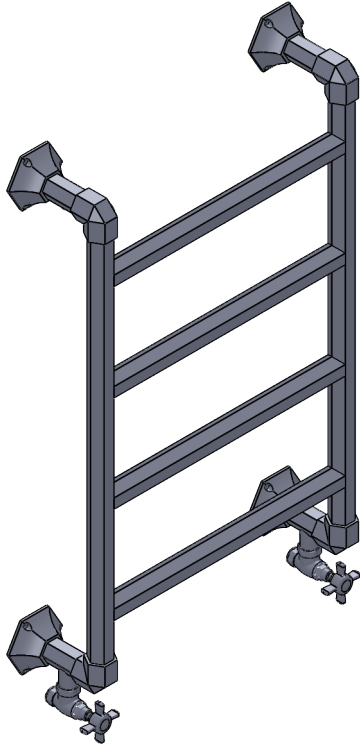
OG010A 32.9x21.7

Height: 32.9
Width: 21.7
Depth: 5.7
Weight HO: lbs (kg)
EO: lbs (kg)

Tube ϕ : 1.26 Hex
Output @ 50° C Δ T: 211
Elec. element if specified: n/a
Pipe Centres: 17.7

All dimensions in inches

Manufactured from ISO/CEN CuZn36As (BS CZ126) brass tube



inches mm

32.9	836
21.7	550
5.7	145
29.5	750
17.7	450
4.9	125
2.6	65

Vogue UK Ltd. reserve the right to alter specifications without prior notice.
ALL MEASUREMENTS ARE NOMINAL DIMENSIONS ONLY, AND ARE NOT BINDING.



SCALE 1:10

VOGUE
TOWEL DRYERS

175 Memorial Drive Unit C
Shrewsbury MA 01545 USA
Tel: 508 887 8771 Fax: 508 887 8774
e-mail: info@vogueuk.com www.vogueuk.com