

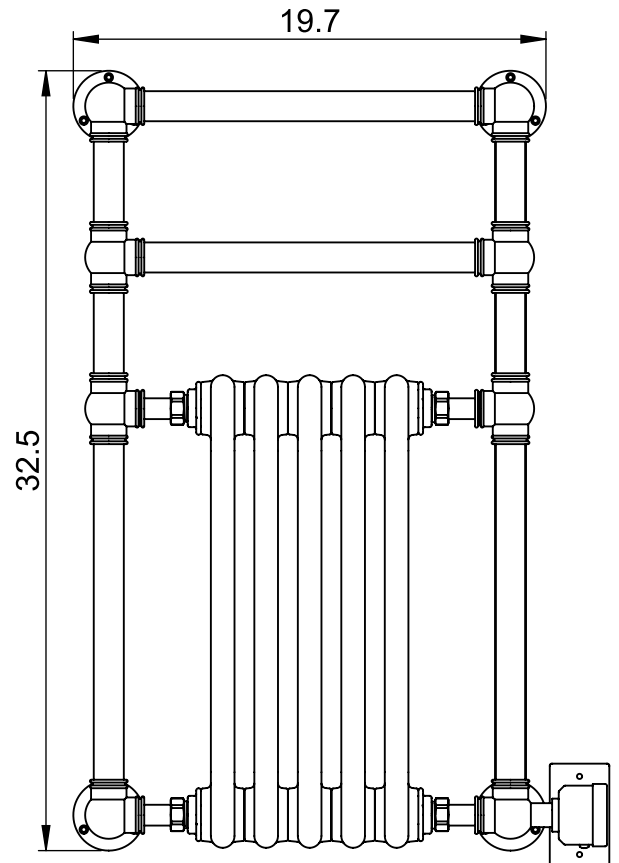
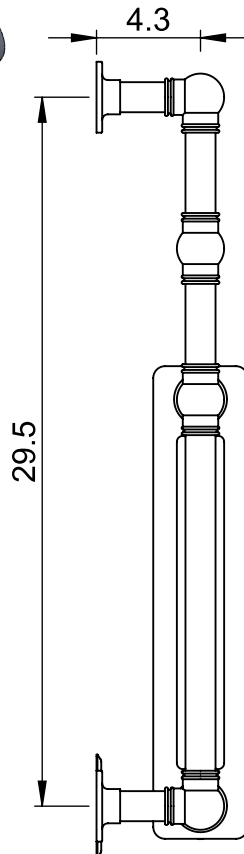
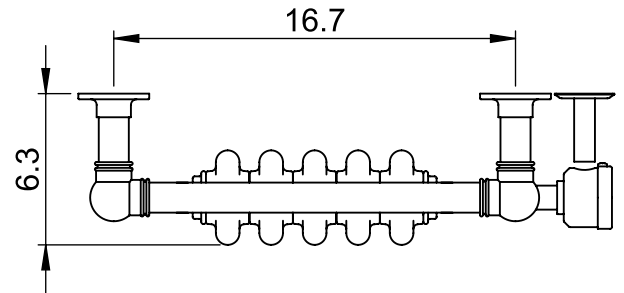
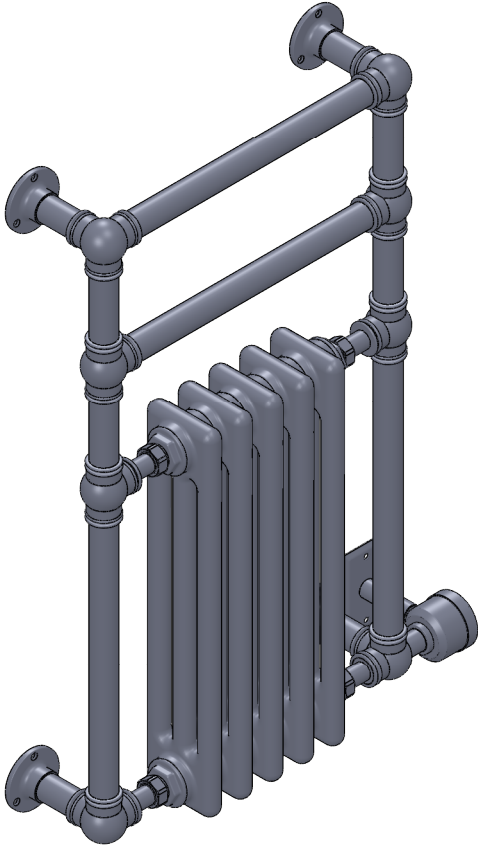
OG009C 32.5x19.7

Height: 32.5
Width: 19.7
Depth: 6.3
Weight HO: lbs (kg)
EO: lbs (kg)

Tube ϕ : 1.25
Output @ 50°C Δ T: n/a
Elec. element if specified: 200
Pipe Centres: n/a

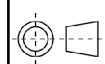
All dimensions in inches

Manufactured from ISO/CEN CuZn36As (BS CZ126) brass tube



inches	mm
32.5	825
19.7	500
6.3	160
29.5	750
16.7	425
4.3	110

Vogue UK Ltd. reserve the right to alter specifications without prior notice.
ALL MEASUREMENTS ARE NOMINAL DIMENSIONS ONLY, AND ARE NOT BINDING.



SCALE 1:8

VOGUE
TOWEL DRYERS

175 Memorial Drive Unit C
Shrewsbury MA 01545 USA
Tel: 508 887 8771 Fax: 508 887 8774
e-mail: info@vogueuk.com www.vogueuk.com