

OG009A

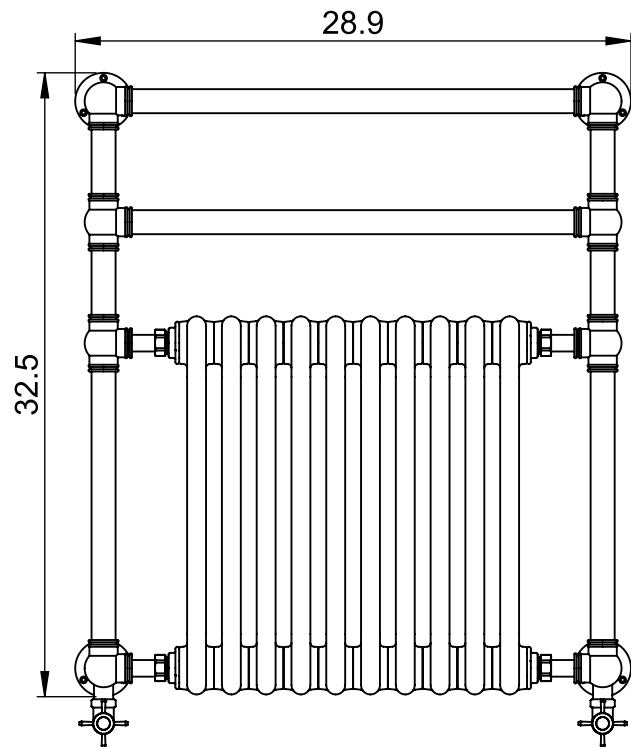
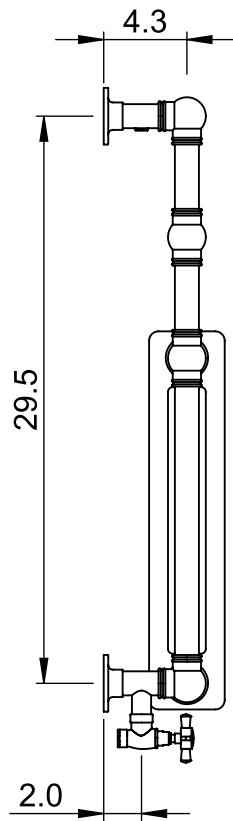
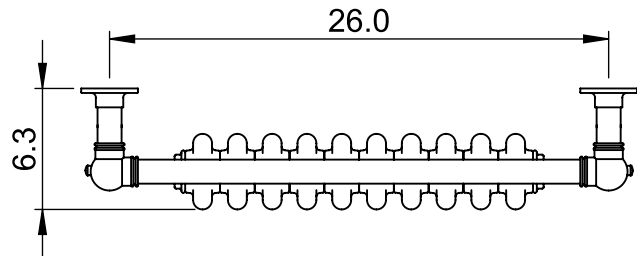
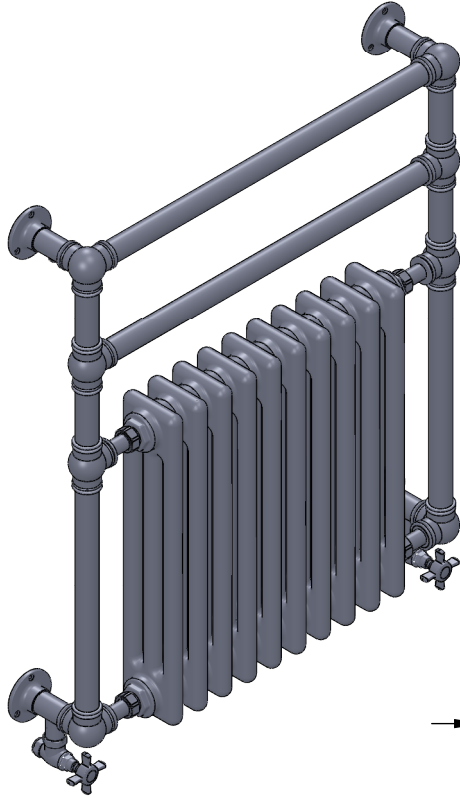
32.5x28.9

Height: 32.5
 Width: 28.9
 Depth: 6.3
 Weight HO: lbs (kg)
 EO: lbs (kg)

Tube ϕ : 1.25
 Output @ 50°C Δ T: 671
 Elec. element if specified: n/a
 Pipe Centres: 26.0

All dimensions in inches

Manufactured from ISO/CEN CuZn36As (BS CZ126) brass tube



inches	mm
32.5	825
28.9	735
6.3	160
29.5	750
26.0	660
4.3	110
2.0	50

Vogue UK Ltd. reserve the right to alter specifications without prior notice.
 ALL MEASUREMENTS ARE NOMINAL DIMENSIONS ONLY, AND ARE NOT BINDING.



SCALE 1:10

VOGUE

TOWEL DRYERS

175 Memorial Drive Unit C
 Shrewsbury MA 01545 USA
 Tel: 508 887 8771 Fax: 508 887 8774
 e-mail: info@vogueuk.com www.vogueuk.com