

OG007

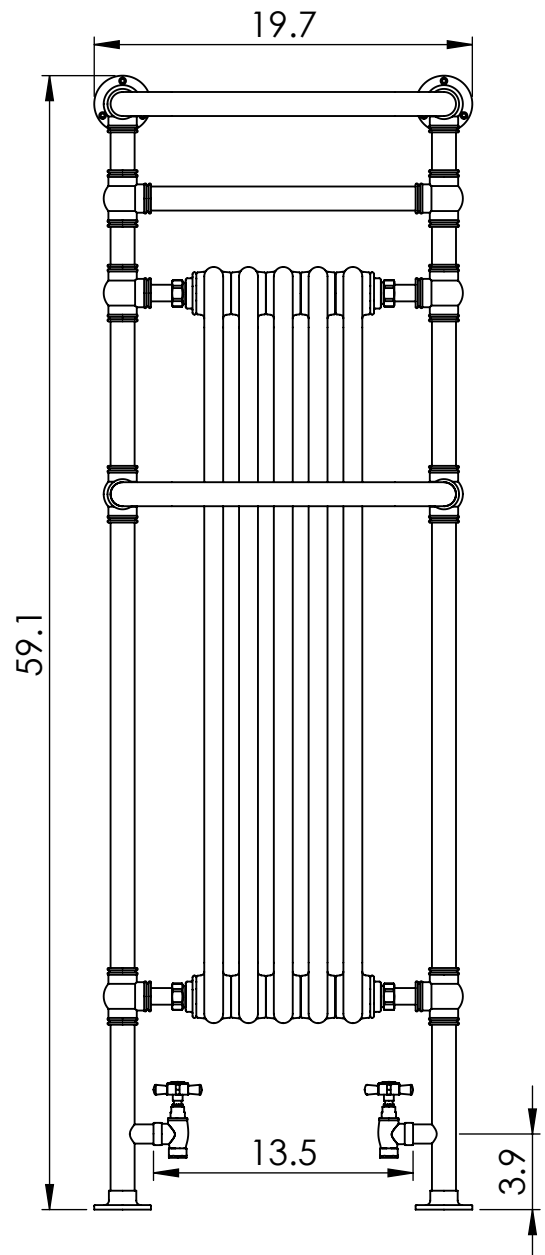
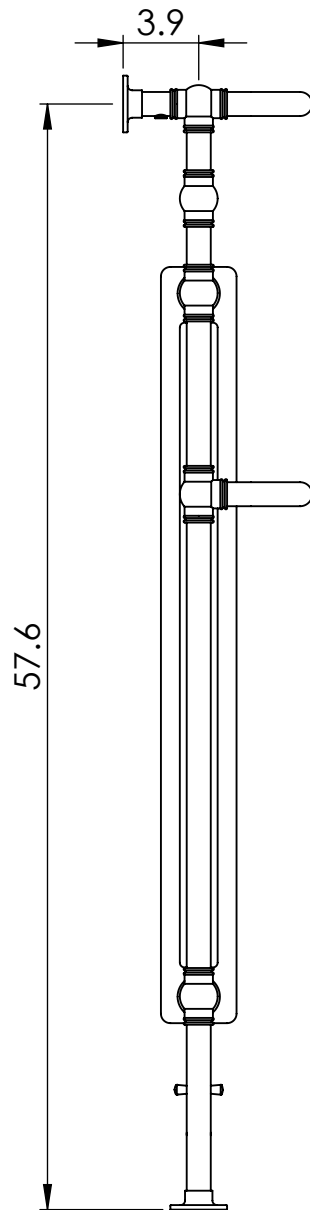
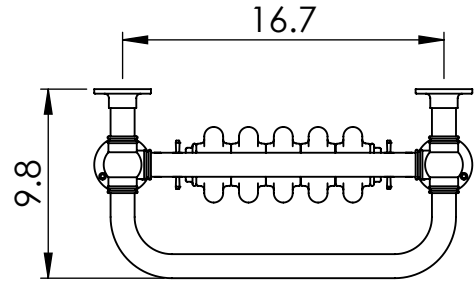
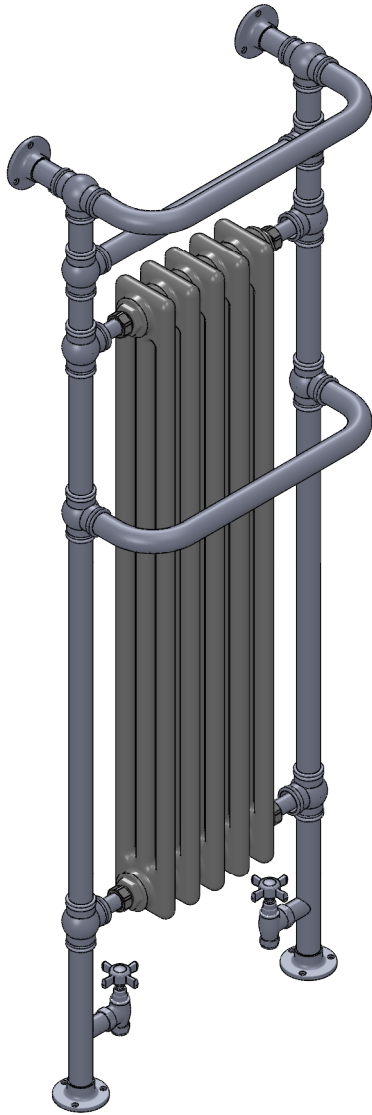
59.1x19.7

Height: 59.1
 Width: 19.7
 Depth: 9.8
 Weight HO: 32.0lbs (14.5kg)
 EO: 54.0lbs (24.5kg)

Tube ϕ : 1.25
 Output @ 50°C Δ T: 738
 Elec. element if specified: n/a
 Face-Face Connections: 13.5

All dimensions in inches

Manufactured from ISO/CEN CuZn36As (BS CZ126) brass tube



inches	mm
59.1	1500
19.7	500
9.8	250
57.6	1462
16.7	425
3.9	100
13.5	343
3.9	100

Vogue UK Ltd. reserve the right to alter specifications without prior notice.
 ALL MEASUREMENTS ARE NOMINAL DIMENSIONS ONLY, AND ARE NOT BINDING.



SCALE 1:10

VOGUE

TOWEL DRYERS

175 Memorial Drive Unit C
 Shrewsbury MA 01545 USA
 Tel: 508 887 8771 Fax: 508 887 8774
 e-mail: info@vogueuk.com www.vogueuk.com