

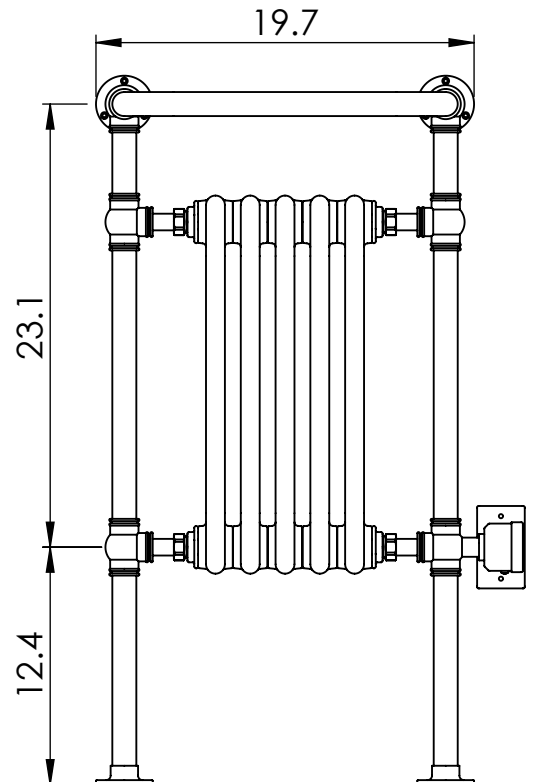
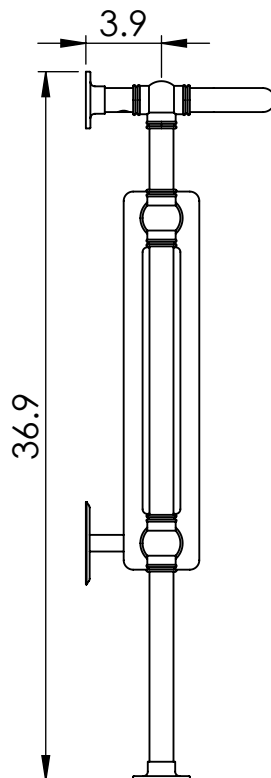
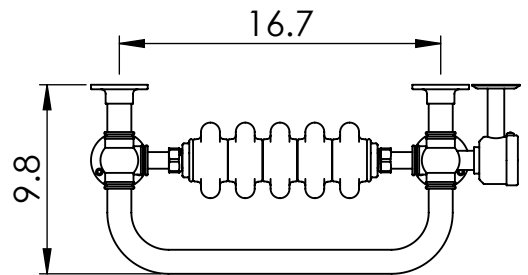
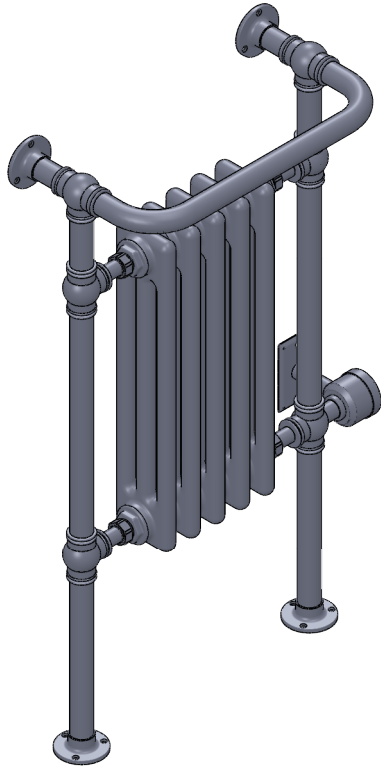
OG006C 36.9x19.7

Height: 36.9
Width: 19.7
Depth: 9.8
Weight HO: 20.9lbs (9.5kg)
EO: 32.0lbs (14.5kg)

Tube ϕ : 1.25
Output @ 50°C Δ T: n/a
Elec. element if specified: 300
Face-Face Connections: n/a

All dimensions in inches

Manufactured from ISO/CEN CuZn36As (BS CZ126) brass tube



inches	mm
36.9	938
19.7	500
9.8	250
23.1	586
12.4	314
16.7	425
3.9	100

Vogue UK Ltd. reserve the right to alter specifications without prior notice.
ALL MEASUREMENTS ARE NOMINAL DIMENSIONS ONLY, AND ARE NOT BINDING.



SCALE 1:10

VOGUE

TOWEL DRYERS

175 Memorial Drive Unit C
Shrewsbury MA 01545 USA
Tel: 508 887 8771 Fax: 508 887 8774
e-mail: info@vogueuk.com www.vogueuk.com