

# OG006A

## 36.9x28.9

Height: 36.9

Width: 28.9

Depth: 9.8

Weight HO: 32.0lbs (14.5kg)

EO: 54.0lbs (24.5kg)

Tube  $\phi$ : 1.25

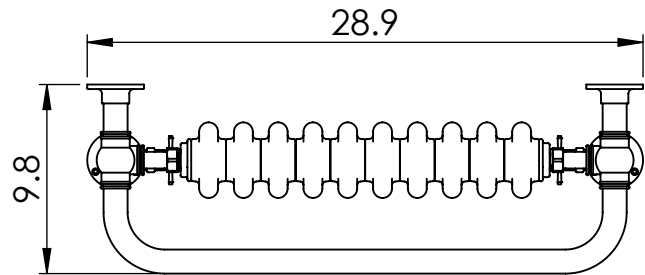
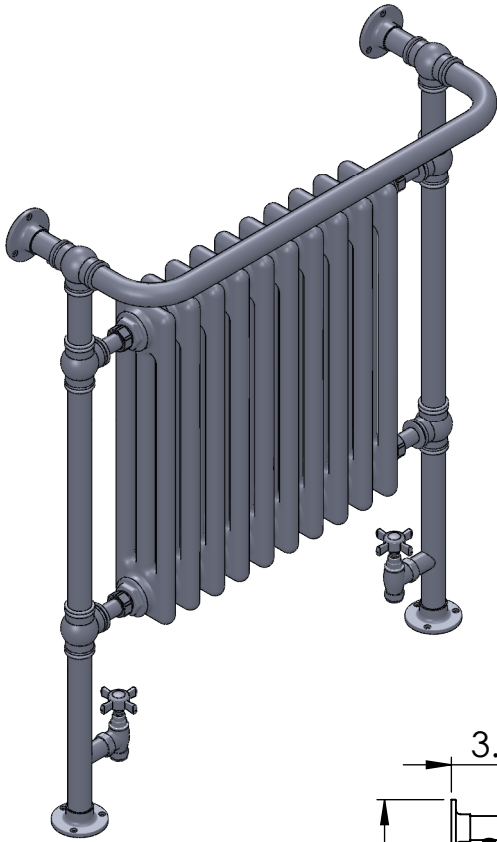
Output @ 50°C  $\Delta$  T: 653

Elec. element if specified: n/a

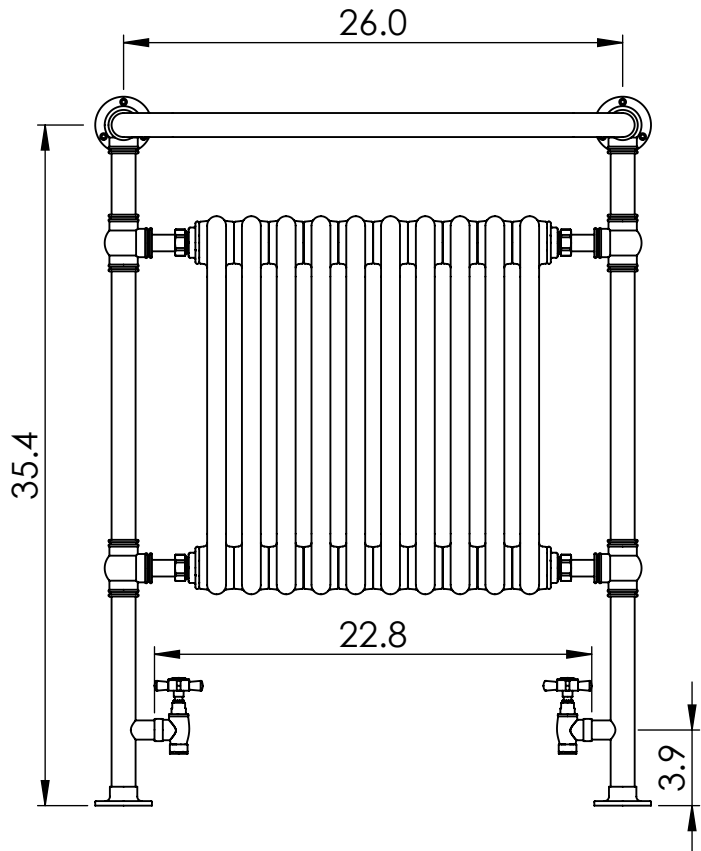
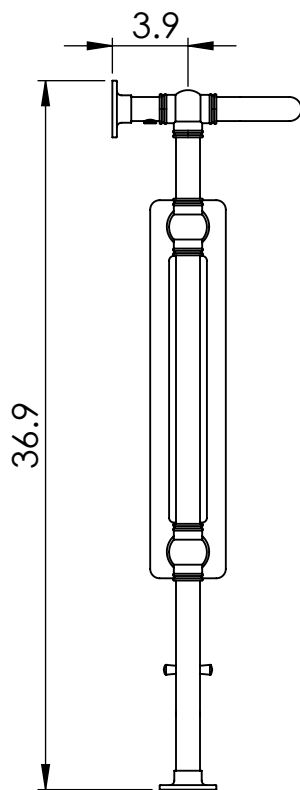
Face-Face Connections: 22.8

All dimensions in inches

Manufactured from ISO/CEN CuZn36As (BS CZ126) brass tube



inches	mm
36.9	938
28.9	735
9.8	250
35.4	900
26.0	660
3.9	100
22.8	578
3.9	100



Vogue UK Ltd. reserve the right to alter specifications without prior notice.  
ALL MEASUREMENTS ARE NOMINAL DIMENSIONS ONLY, AND ARE NOT BINDING.



SCALE 1:10

# VOGUE

TOWEL DRYERS

175 Memorial Drive Unit C  
Shrewsbury MA 01545 USA  
Tel: 508 887 8771 Fax: 508 887 8774  
e-mail: info@vogueuk.com www.vogueuk.com