

OG003F-BR

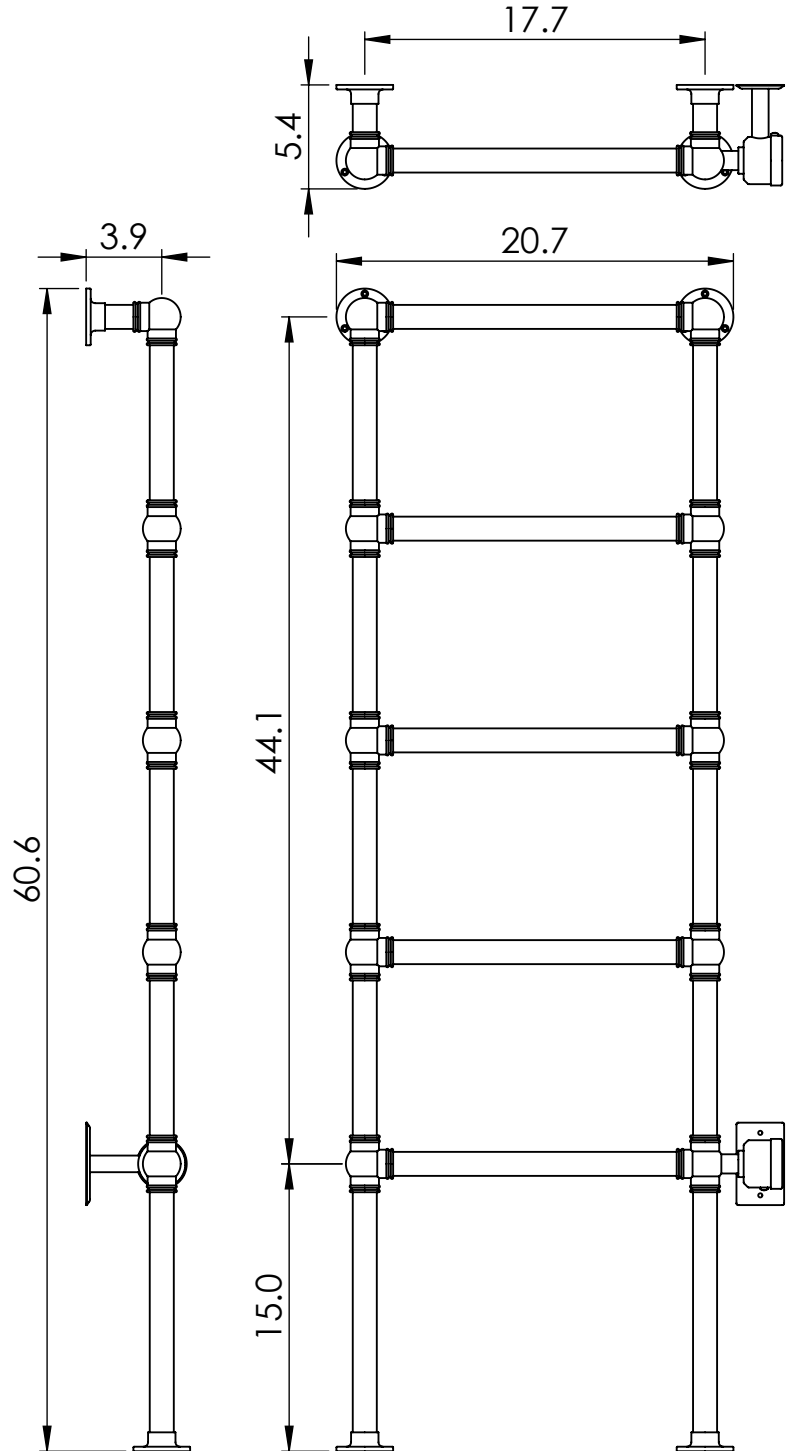
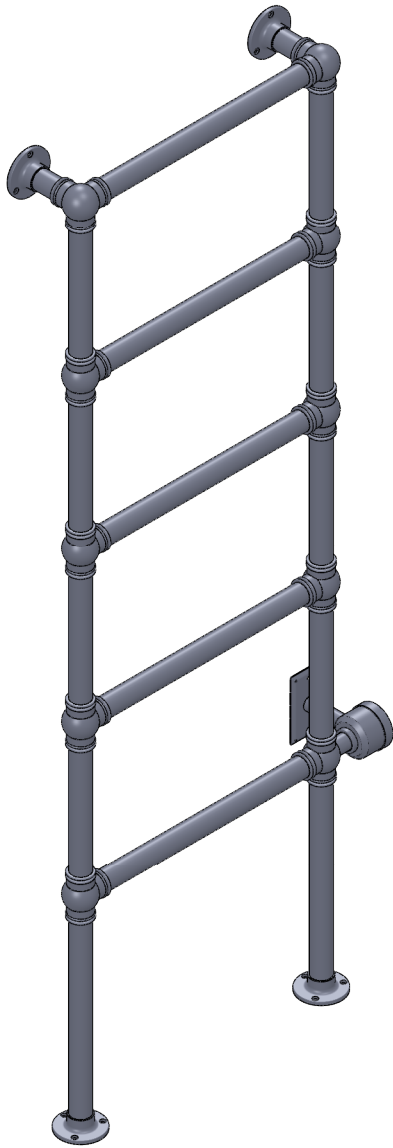
60.6x20.7

Height: 60.6
 Width: 20.7
 Depth: 5.4
 Weight HO: 25.4lbs (11.5kg)
 EO: 38.6lbs (17.5kg)

Tube ϕ : 1.25
 Output @ 50°C Δ T: n/a
 Elec. element if specified: 150
 Face-Face Connections: n/a

All dimensions in inches

Manufactured from ISO/CEN CuZn36As (BS CZ126) brass tube



| inches | mm |
|--------|------|
| 60.6 | 1538 |
| 20.7 | 525 |
| 5.4 | 138 |
| 44.1 | 1120 |
| 15.0 | 380 |
| 17.7 | 450 |
| 3.9 | 100 |

Vogue UK Ltd. reserve the right to alter specifications without prior notice.
 ALL MEASUREMENTS ARE NOMINAL DIMENSIONS ONLY, AND ARE NOT BINDING.



SCALE 1:10

VOGUE

TOWEL DRYERS

175 Memorial Drive Unit C
 Shrewsbury MA 01545 USA
 Tel: 508 887 8771 Fax: 508 887 8774
 e-mail: info@vogueuk.com www.vogueuk.com