

# OG003D-BR

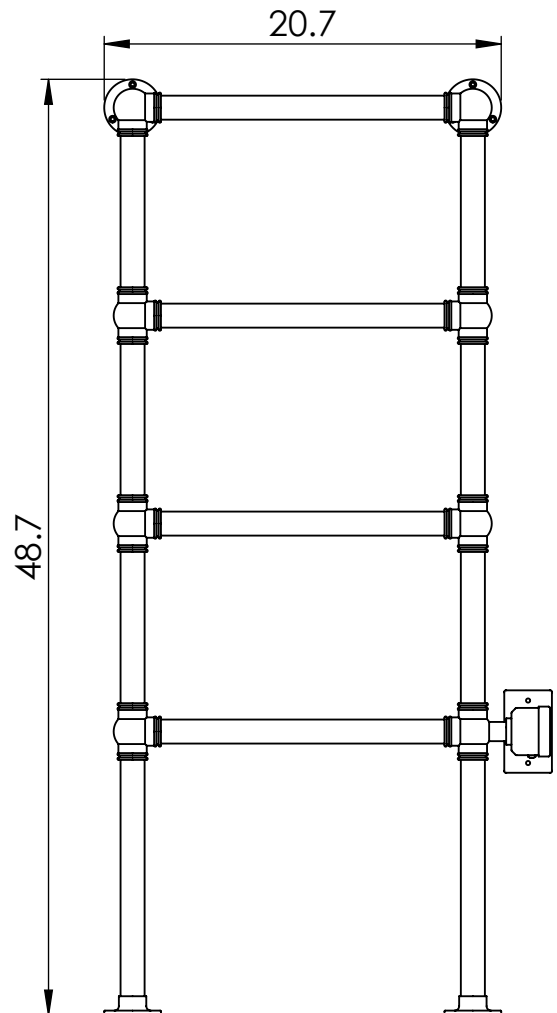
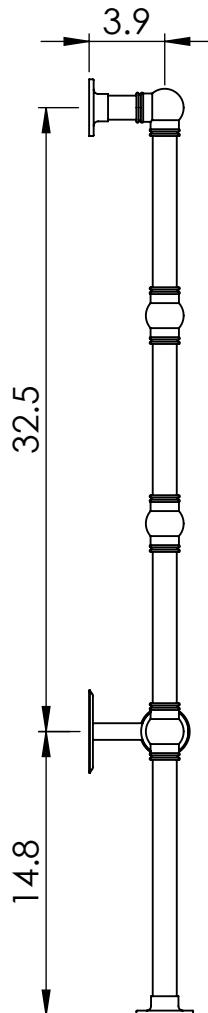
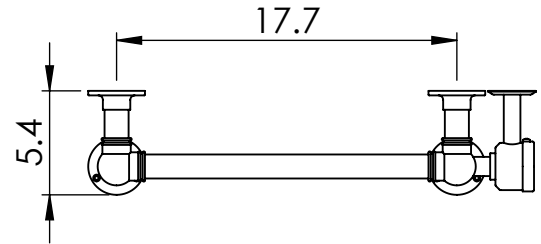
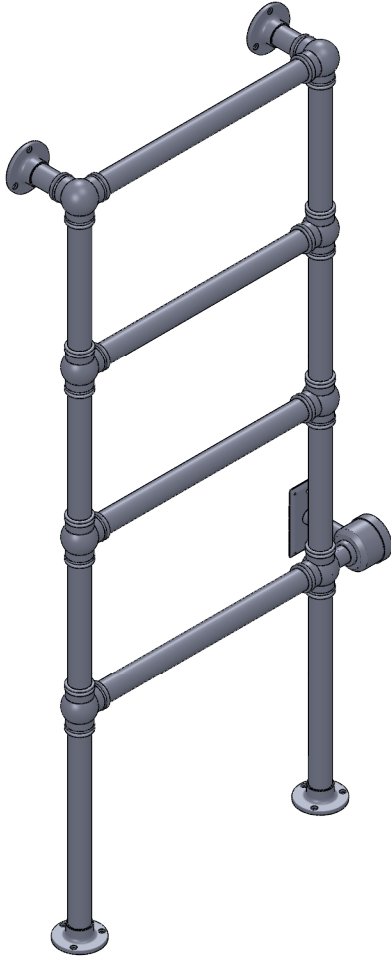
## 48.7x20.7

Height: 48.7  
 Width: 48.7  
 Depth: 5.4  
 Weight HO: 20.9lbs (9.5kg)  
 EO: 34.2lbs (15.5kg)

Tube  $\phi$ : 1.25  
 Output @ 50°C  $\Delta$  T: n/a  
 Elec. element if specified: 125  
 Face-Face Connections: n/a

All dimensions in inches

Manufactured from ISO/CEN CuZn36As (BS CZ126) brass tube



inches	mm
48.7	1238
20.7	525
5.4	138
32.5	825
14.8	375
17.7	450
3.9	100

Vogue UK Ltd. reserve the right to alter specifications without prior notice.  
 ALL MEASUREMENTS ARE NOMINAL DIMENSIONS ONLY, AND ARE NOT BINDING.



SCALE 1:10

# VOGUE

UK  
 TOWEL DRYERS

175 Memorial Drive Unit C  
 Shrewsbury MA 01545 USA  
 Tel: 508 887 8771 Fax: 508 887 8774  
 e-mail: info@vogueuk.com www.vogueuk.com