

OG003A-BR

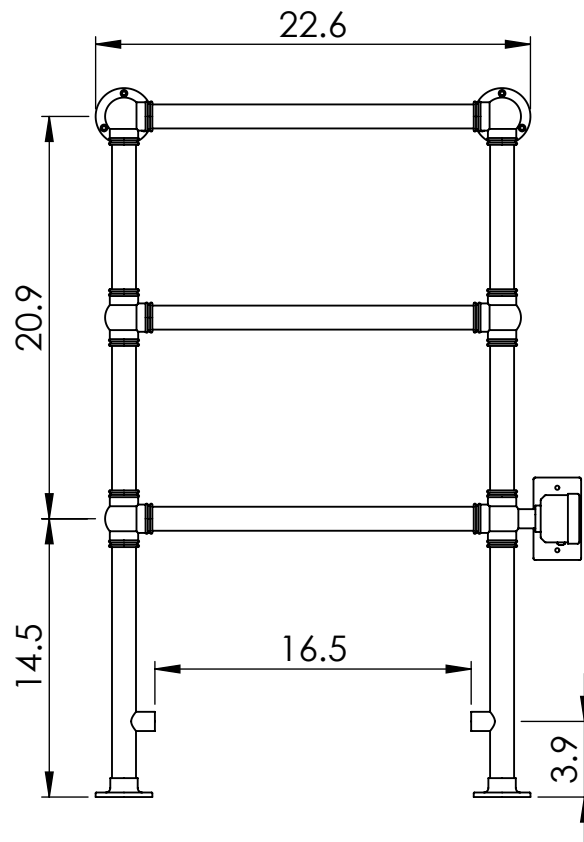
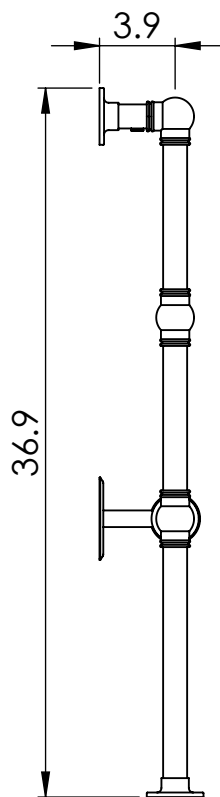
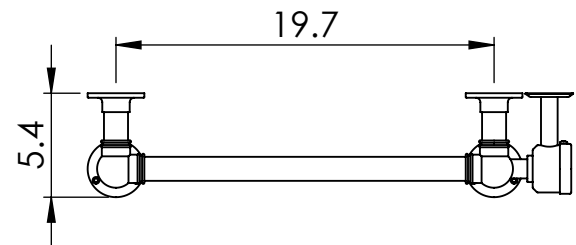
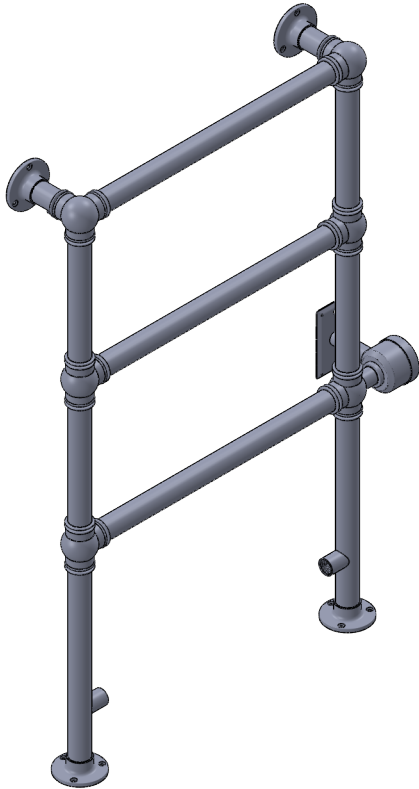
37.0x22.6

Height: 37.0
 Width: 22.6
 Depth: 5.4
 Weight HO: lbs (kg)
 EO: lbs (kg)

Tube ϕ : 1.25
 Output @ 50°C Δ T: n/a
 Elec. element if specified: 100
 Face-Face Connections: 16.5

All dimensions in inches

Manufactured from ISO/CEN CuZn36As (BS CZ126) brass tube



| inches | mm |
|--------|-----|
| 36.9 | 938 |
| 22.6 | 574 |
| 5.4 | 138 |
| 20.9 | 532 |
| 14.5 | 368 |
| 19.7 | 501 |
| 3.9 | 100 |
| 16.5 | 420 |
| 3.9 | 100 |

Vogue UK Ltd. reserve the right to alter specifications without prior notice.
 ALL MEASUREMENTS ARE NOMINAL DIMENSIONS ONLY, AND ARE NOT BINDING.



SCALE 1:10

VOGUE

TOWEL DRYERS

175 Memorial Drive Unit C
 Shrewsbury MA 01545 USA
 Tel: 508 887 8771 Fax: 508 887 8774
 e-mail: info@vogueuk.com www.vogueuk.com