

OG002F

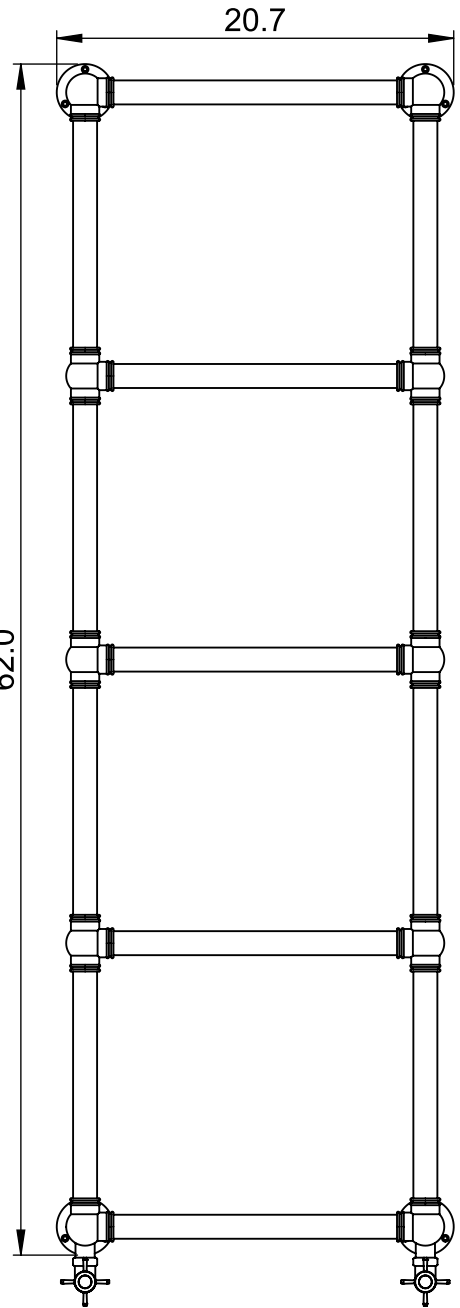
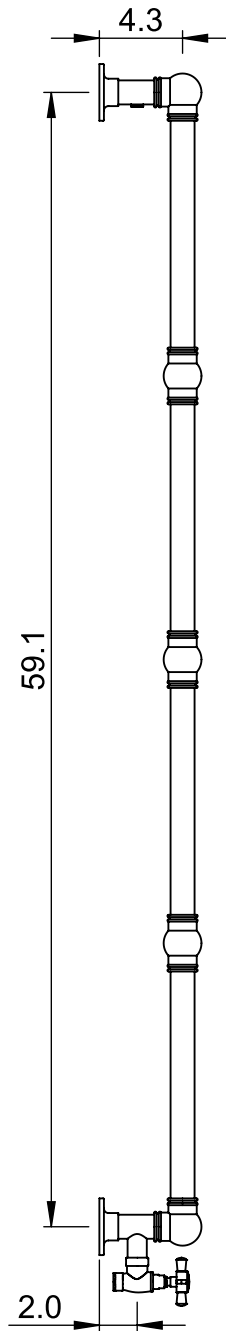
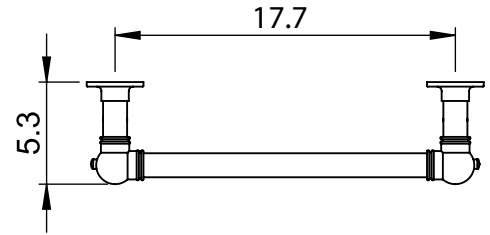
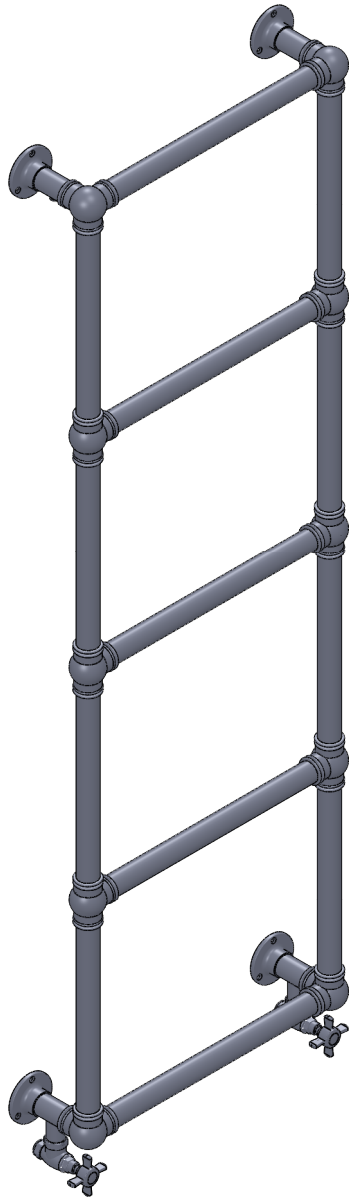
62.0x20.7

Height: 62.0
 Width: 20.7
 Depth: 5.3
 Weight HO: 25.4lbs (11.5kg)
 EO: 54.0lbs (24.5kg)

Tube ϕ : 1.25
 Output @ 50° C Δ T: 292
 Elec. element if specified: n/a
 Pipe Centres: 17.7

All dimensions in inches

Manufactured from ISO/CEN CuZn36As (BS CZ126) brass tube



| inches | mm |
|--------|------|
| 62.0 | 1575 |
| 20.7 | 525 |
| 5.3 | 135 |
| 59.1 | 1500 |
| 17.7 | 450 |
| 4.3 | 110 |
| 2.0 | 50 |

Vogue UK Ltd. reserve the right to alter specifications without prior notice.
 ALL MEASUREMENTS ARE NOMINAL DIMENSIONS ONLY, AND ARE NOT BINDING.



SCALE 1:10

VOGUE

TOWEL DRYERS

175 Memorial Drive Unit C
 Shrewsbury MA 01545 USA
 Tel: 508 887 8771 Fax: 508 887 8774
 e-mail: info@vogueuk.com www.vogueuk.com