

# OG002D

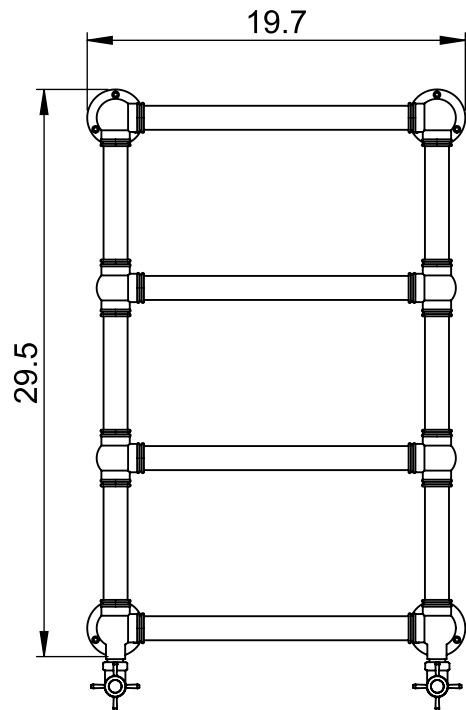
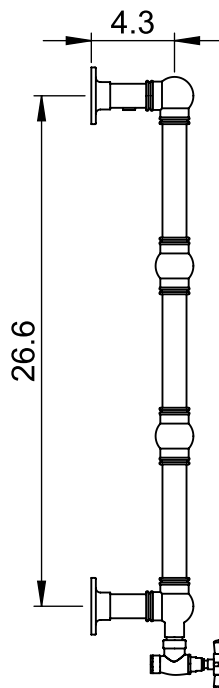
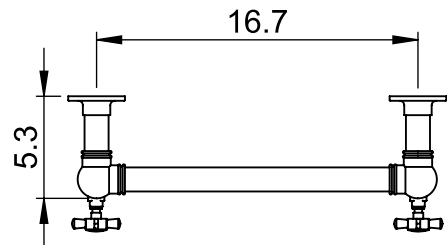
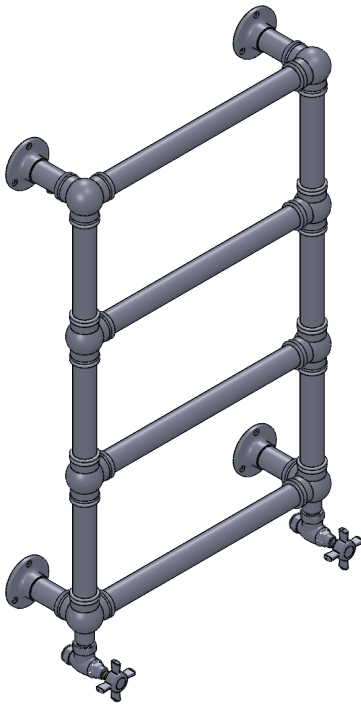
## 29.5x19.7

Height: 29.5  
 Width: 19.7  
 Depth: 5.3  
 Weight HO: lbs (kg)  
 EO: lbs (kg)

Tube  $\phi$ : 1.25  
 Output @ 50°C  $\Delta$  T: 169  
 Elec. element if specified: n/a  
 Pipe Centres: 16.7

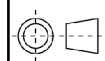
All dimensions in inches

Manufactured from ISO/CEN CuZn36As (BS CZ126) brass tube



inches	mm
29.5	750
19.7	500
5.3	135
26.6	675
16.7	425
4.3	110

Vogue UK Ltd. reserve the right to alter specifications without prior notice.  
 ALL MEASUREMENTS ARE NOMINAL DIMENSIONS ONLY, AND ARE NOT BINDING.



**SCALE 1:8**

# VOGUE

UK  
 TOWEL DRYERS

175 Memorial Drive Unit C  
 Shrewsbury MA 01545 USA  
 Tel: 508 887 8771 Fax: 508 887 8774  
 e-mail: info@vogueuk.com www.vogueuk.com