

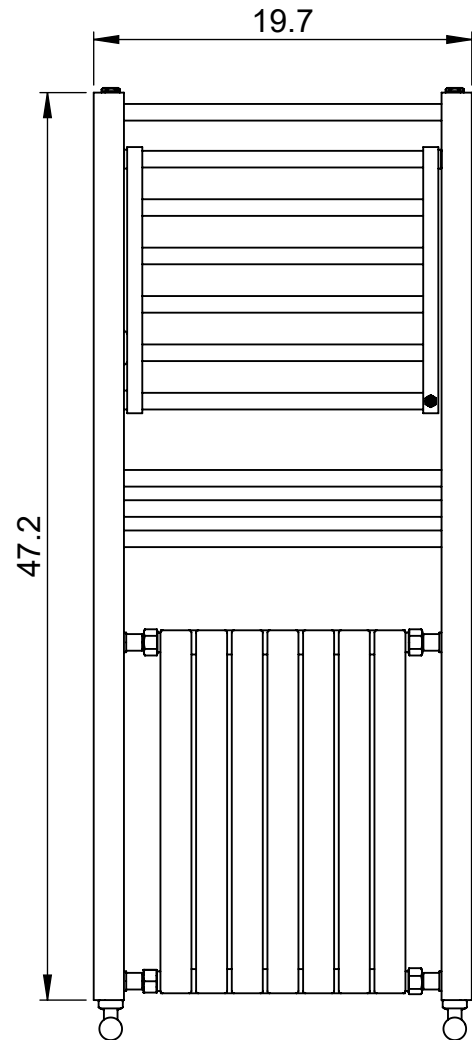
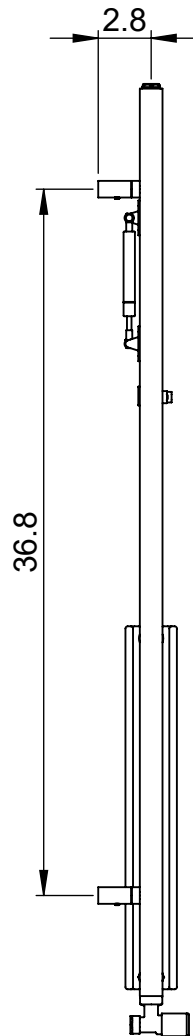
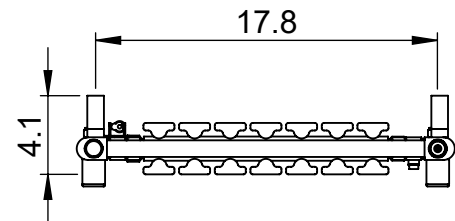
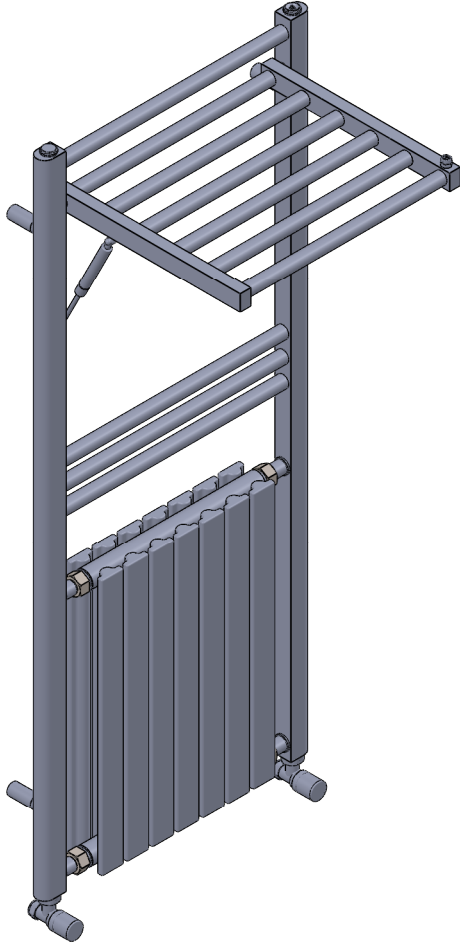
MD090 47.2x19.7

Height: 47.2
Width: 19.7
Depth: 4.1
Weight HO: lbs (kg)
EO: lbs (kg)

Tube ϕ : 1.2x1.6 D Section + 0.9
Output @ 50° C Δ T: 850
Elec. element if specified: n/a
Pipe Centres: 17.9

All dimensions in inches

Manufactured from Mild Steel



inches	mm
47.2	1200
19.7	500
4.1	104
36.8	934
17.8	452
2.8	70

Vogue UK Ltd. reserve the right to alter specifications without prior notice.
ALL MEASUREMENTS ARE NOMINAL DIMENSIONS ONLY, AND ARE NOT BINDING.



SCALE 1:10

VOGUE
TOWEL DRYERS

175 Memorial Drive Unit C
Shrewsbury MA 01545 USA
Tel: 508 887 8771 Fax: 508 887 8774
e-mail: info@vogueuk.com www.vogueuk.com