

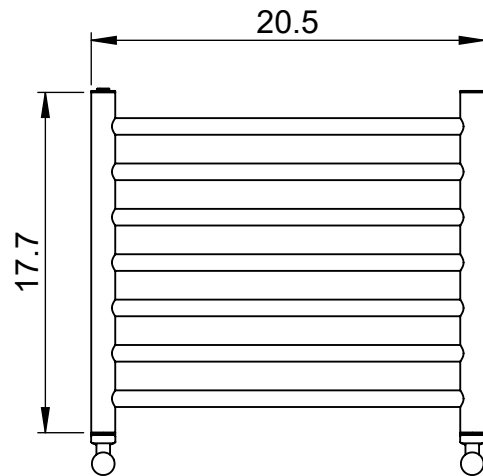
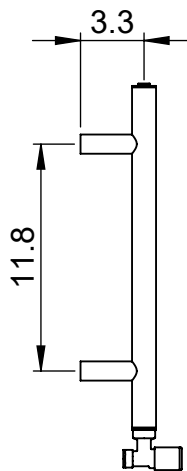
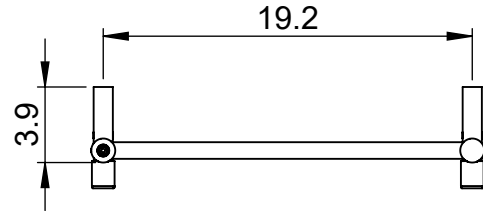
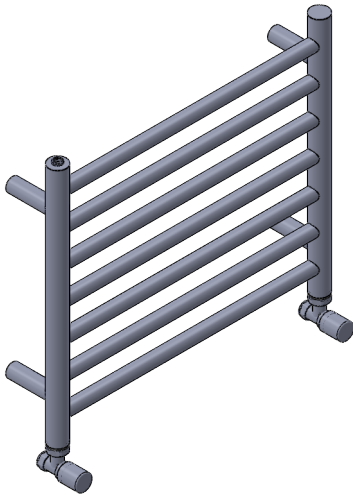
# MD043 17.7x20.5

Height: 17.7  
Width: 20.5  
Depth: 3.9  
Weight HO: lbs (kg)  
EO: lbs (kg)

Tube  $\phi$ : 1.25 + 0.9  
Output @ 50° C  $\Delta$  T: 204  
Elec. element if specified: n/a  
Pipe Centres: 19.2

All dimensions in inches

Manufactured from 1.4301/X5CrNi18-10 stainless steel



inches	mm
17.7	450
20.5	520
3.9	100
11.8	300
19.2	488
3.3	84

Vogue UK Ltd. reserve the right to alter specifications without prior notice.  
ALL MEASUREMENTS ARE NOMINAL DIMENSIONS ONLY, AND ARE NOT BINDING.



**SCALE 1:10**

**VOGUE**  
TOWEL DRYERS

175 Memorial Drive Unit C  
Shrewsbury MA 01545 USA  
Tel: 508 887 8771 Fax: 508 887 8774  
e-mail: info@vogueuk.com www.vogueuk.com