

MD026

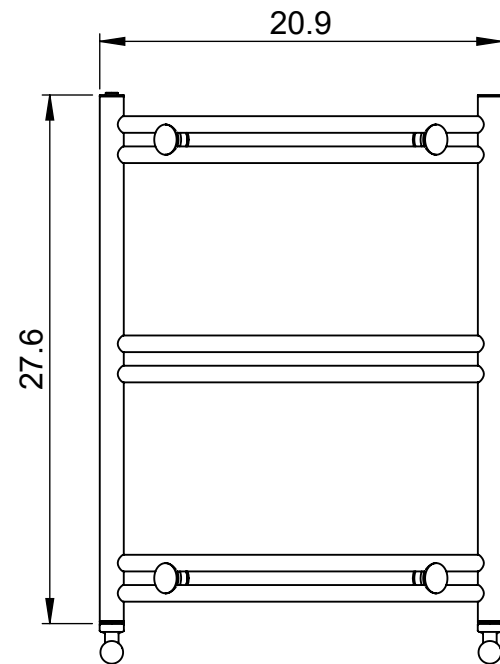
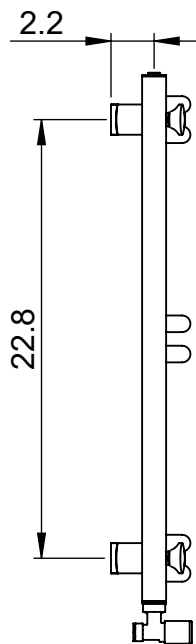
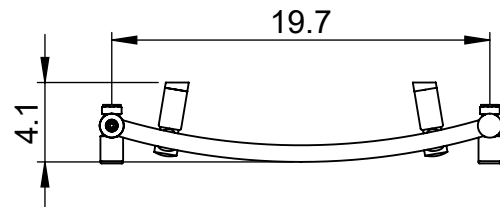
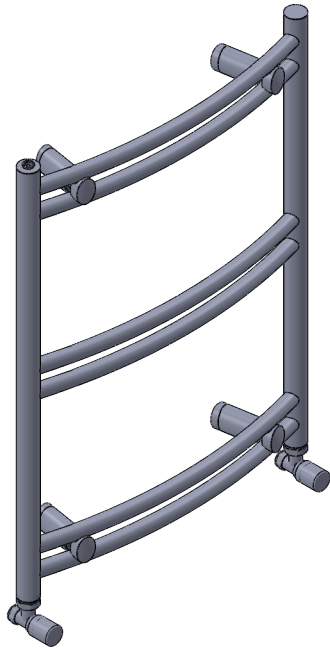
27.6x20.9

Height: 27.6
 Width: 20.9
 Depth: 4.1
 Weight HO: lbs (kg)
 EO: lbs (kg)

Tube ϕ : 1.25 + 0.9
 Output @ 50° C Δ T: 234
 Elec. element if specified: n/a
 Pipe Centres: 19.7

All dimensions in inches

Manufactured from 1.4301/X5CrNi18-10 stainless steel



inches	mm
27.6	700
20.9	532
4.1	105
22.8	580
19.7	500
2.2	57

Vogue UK Ltd. reserve the right to alter specifications without prior notice.
 ALL MEASUREMENTS ARE NOMINAL DIMENSIONS ONLY, AND ARE NOT BINDING.



SCALE 1:10

VOGUE

TOWEL DRYERS

175 Memorial Drive Unit C
 Shrewsbury MA 01545 USA
 Tel: 508 887 8771 Fax: 508 887 8774
 e-mail: info@vogueuk.com www.vogueuk.com