

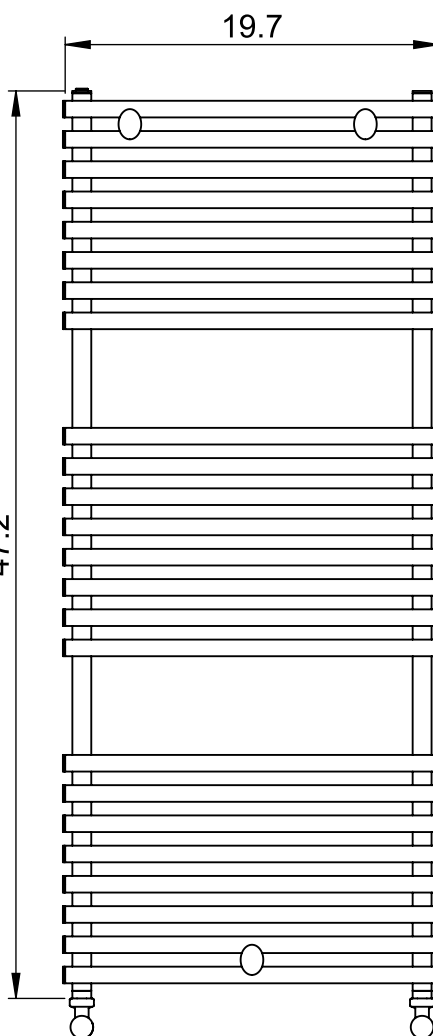
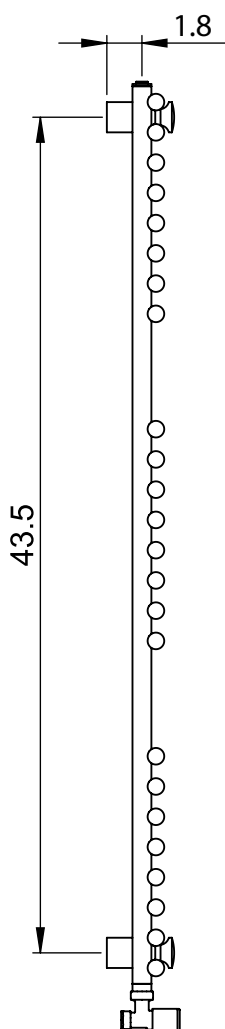
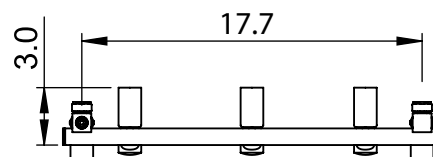
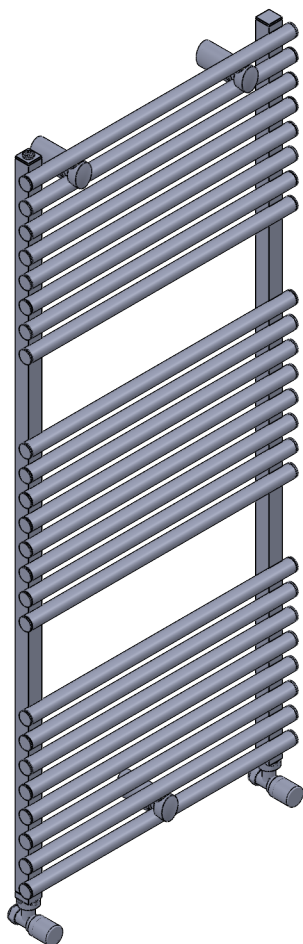
MD017C 47.2x19.7

Height: 47.2
Width: 19.7
Depth: 3.0
Weight HO: lbs (kg)
EO: lbs (kg)

Tube ϕ : 1.0sq + 0.9
Output @ 50°C Δ T: 581
Elec. element if specified: n/a
Pipe Centres: 17.7

All dimensions in inches

Manufactured from ISO/CEN CuZn36As (BS CZ126) brass tube



inches	mm
47.2	1200
19.7	500
3.0	75
43.5	1105
17.7	450
1.8	45

Vogue UK Ltd. reserve the right to alter specifications without prior notice.
ALL MEASUREMENTS ARE NOMINAL DIMENSIONS ONLY, AND ARE NOT BINDING.



SCALE 1:8

VOGUE
TOWEL DRYERS

175 Memorial Drive Unit C
Shrewsbury MA 01545 USA
Tel: 508 887 8771 Fax: 508 887 8774
e-mail: info@vogueuk.com www.vogueuk.com