

MD017B

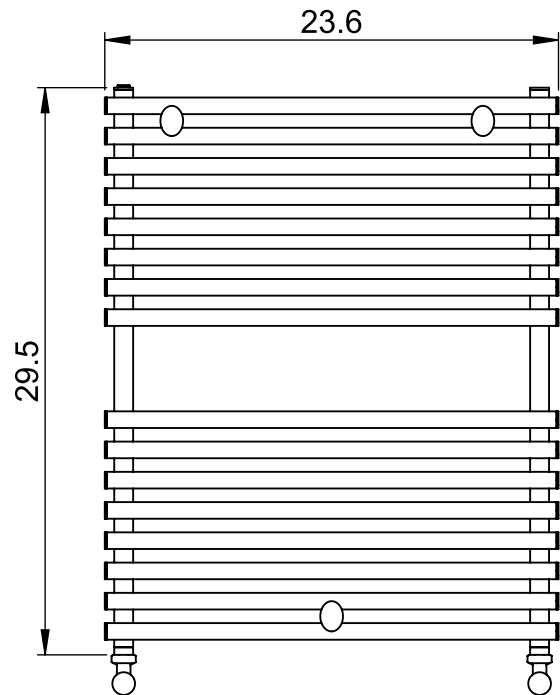
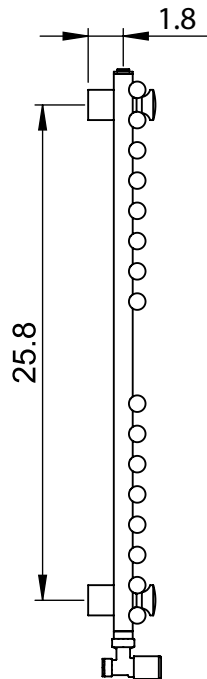
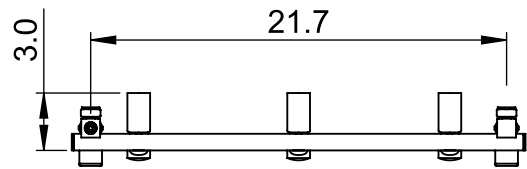
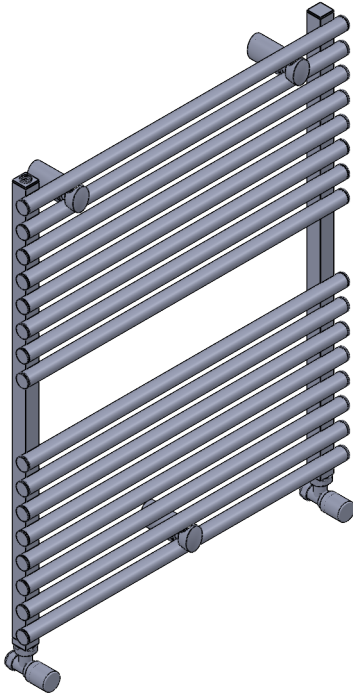
29.5x23.6

Height: 29.5
 Width: 23.6
 Depth: 3.0
 Weight HO: lbs (kg)
 EO: lbs (kg)

Tube ϕ : 1.0sq + 0.9
 Output @ 50°C Δ T: 444
 Elec. element if specified: n/a
 Pipe Centres: 21.7

All dimensions in inches

Manufactured from ISO/CEN CuZn36As (BS CZ126) brass tube



| inches | mm |
|--------|-----|
| 29.5 | 750 |
| 23.6 | 600 |
| 3.0 | 75 |
| 25.8 | 655 |
| 21.7 | 550 |
| 1.8 | 45 |

Vogue UK Ltd. reserve the right to alter specifications without prior notice.
 ALL MEASUREMENTS ARE NOMINAL DIMENSIONS ONLY, AND ARE NOT BINDING.



SCALE 1:8

VOGUE

TOWEL DRYERS

175 Memorial Drive Unit C
 Shrewsbury MA 01545 USA
 Tel: 508 887 8771 Fax: 508 887 8774
 e-mail: info@vogueuk.com www.vogueuk.com