

# LG031

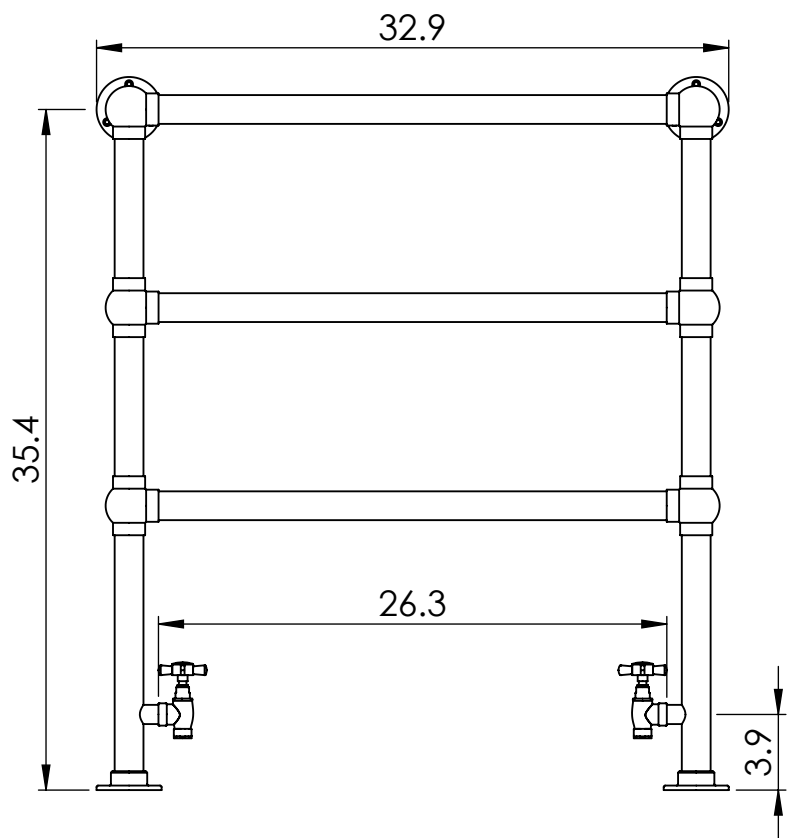
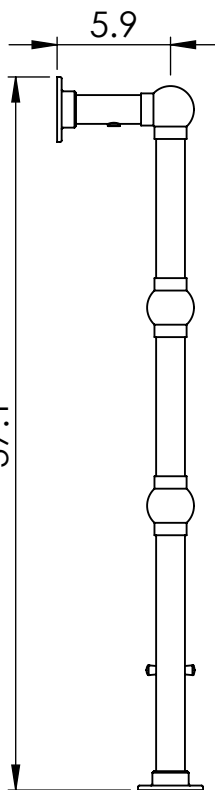
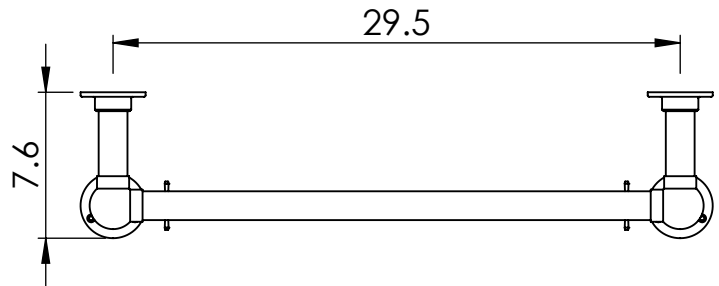
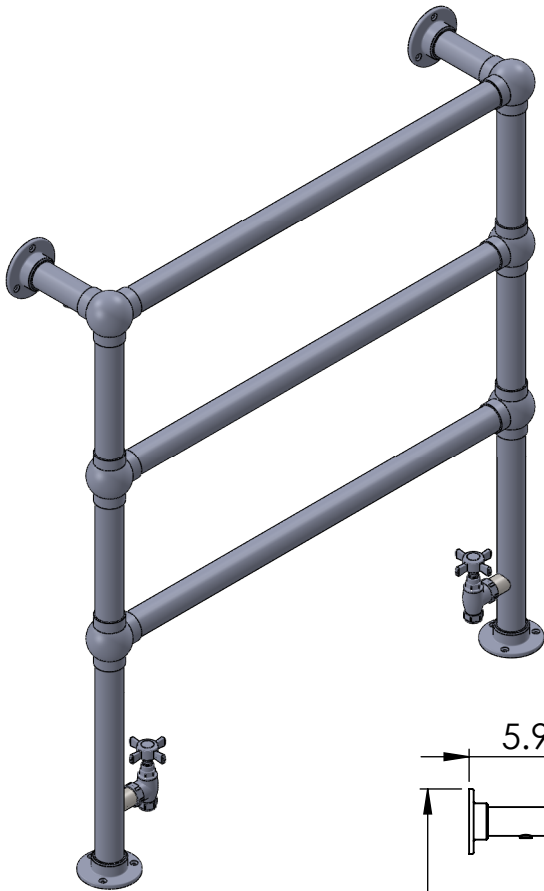
## 37.1x32.9

Height: 37.1  
 Width: 32.9  
 Depth: 7.6  
 Weight HO: lbs (kg)  
 EO: lbs (kg)

Tube  $\phi$ : 1.5  
 Output @ 50°C  $\Delta$  T: 275  
 Elec. element if specified: n/a  
 Face-Face Connections: 26.3

All dimensions in inches

Manufactured from ISO/CEN CuZn36As (BS CZ126) brass tube



inches	mm
37.1	943
32.9	836
7.6	193
35.4	900
29.5	750
5.9	150
26.3	672
3.9	100

Vogue UK Ltd. reserve the right to alter specifications without prior notice.  
 ALL MEASUREMENTS ARE NOMINAL DIMENSIONS ONLY, AND ARE NOT BINDING.



**SCALE 1:10**

# VOGUE

TOWEL DRYERS

175 Memorial Drive Unit C  
 Shrewsbury MA 01545 USA  
 Tel: 508 887 8771 Fax: 508 887 8774  
 e-mail: info@vogueuk.com www.vogueuk.com