

LG005C-BR

29.1x19.7

Height: 29.1

Width: 19.7

Depth: 9.8

Weight HO: 20.9lbs (9.5kg)

EO: 29.8lbs (13.5kg)

Tube ϕ : 1.25

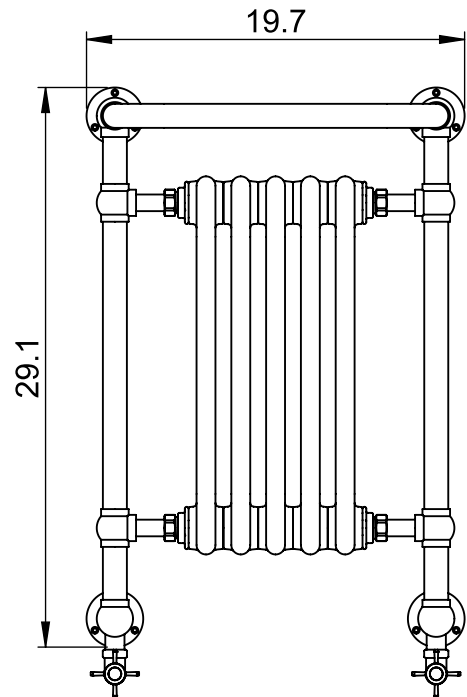
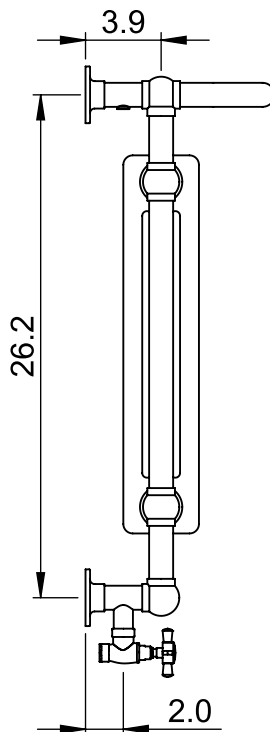
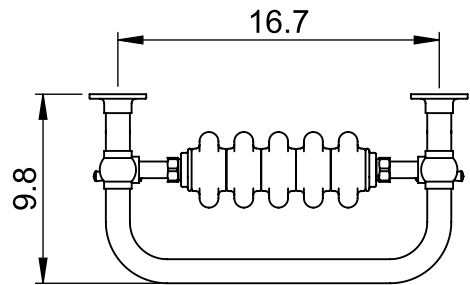
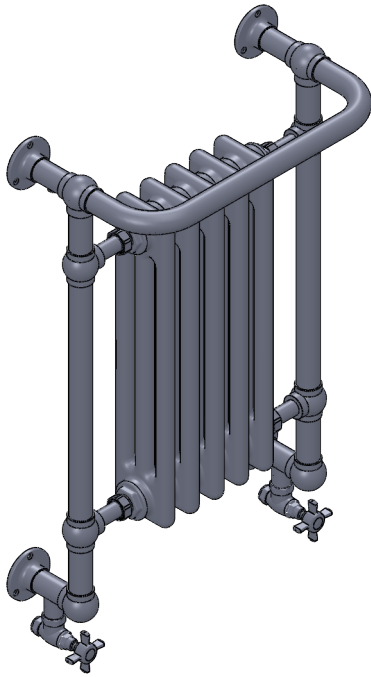
Output @ 50°C Δ T: 384

Elec. element if specified: n/a

Pipe Centres: 16.7

All dimensions in inches

Manufactured from ISO/CEN CuZn36As (BS CZ126) brass tube



| inches | mm |
|--------|-----|
| 29.1 | 740 |
| 19.7 | 500 |
| 9.8 | 250 |
| 26.2 | 665 |
| 16.7 | 425 |
| 3.9 | 100 |
| 2.0 | 50 |

Vogue UK Ltd. reserve the right to alter specifications without prior notice.
ALL MEASUREMENTS ARE NOMINAL DIMENSIONS ONLY, AND ARE NOT BINDING.



SCALE 1:10

VOGUE

TOWEL DRYERS

175 Memorial Drive Unit C
Shrewsbury MA 01545 USA
Tel: 508 887 8771 Fax: 508 887 8774
e-mail: info@vogueuk.com www.vogueuk.com