

IN014

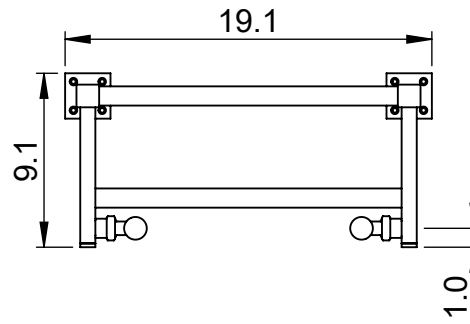
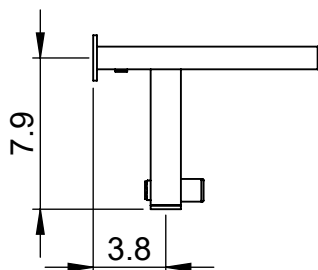
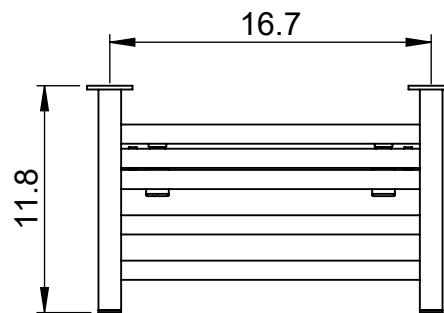
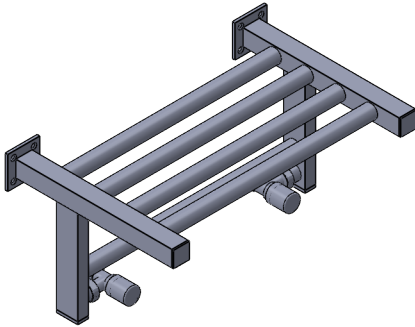
9.1x19.1

Height: 9.1
 Width: 19.1
 Depth: 11.8
 Weight HO: lbs (kg)
 EO: lbs (kg)

Tube ϕ : 1.2sq + 1.6x0.8sq + 1.0
 Output @ 50° C Δ T: 180
 Elec. element if specified: n/a
 Pipe Centres: 14.8

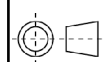
All dimensions in inches

Manufactured from 1.4301/X5CrNi18-10 stainless steel



inches	mm
9.1	230
19.1	485
11.8	300
7.9	200
16.7	425
3.8	97
1.0	25

Vogue UK Ltd. reserve the right to alter specifications without prior notice.
 ALL MEASUREMENTS ARE NOMINAL DIMENSIONS ONLY, AND ARE NOT BINDING.



SCALE 1:8

VOGUE

TOWEL DRYERS

175 Memorial Drive Unit C
 Shrewsbury MA 01545 USA
 Tel: 508 887 8771 Fax: 508 887 8774
 e-mail: info@vogueuk.com www.vogueuk.com