

IN012

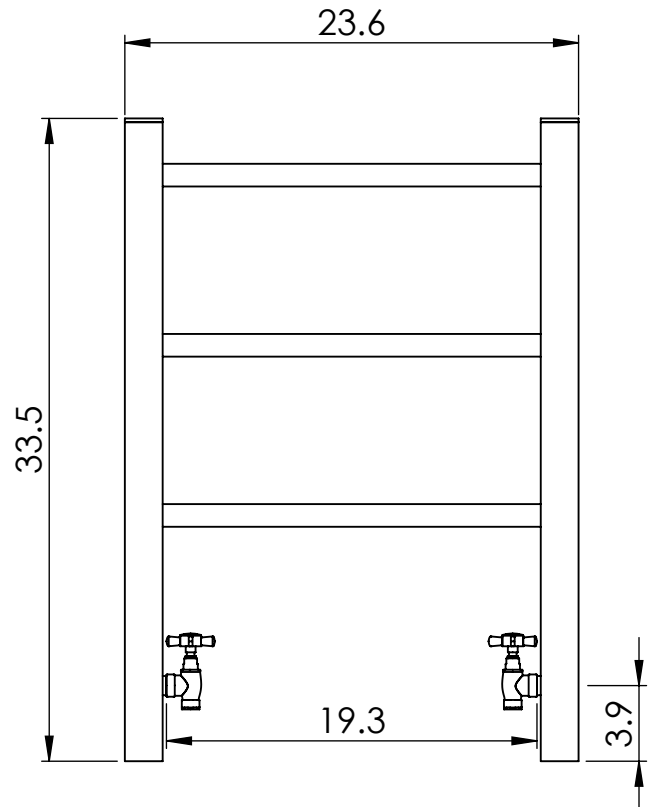
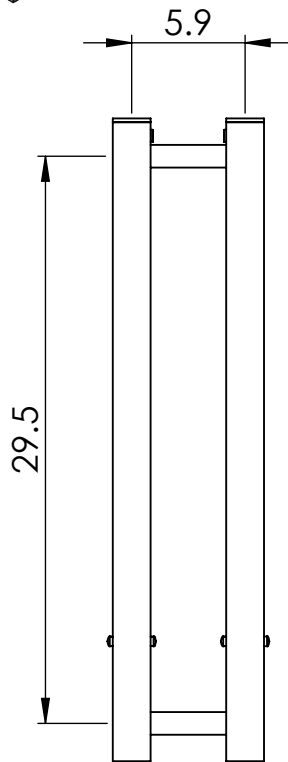
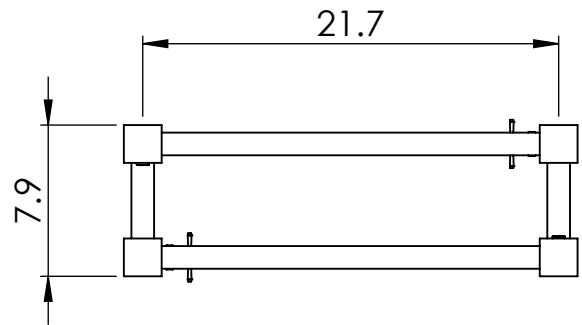
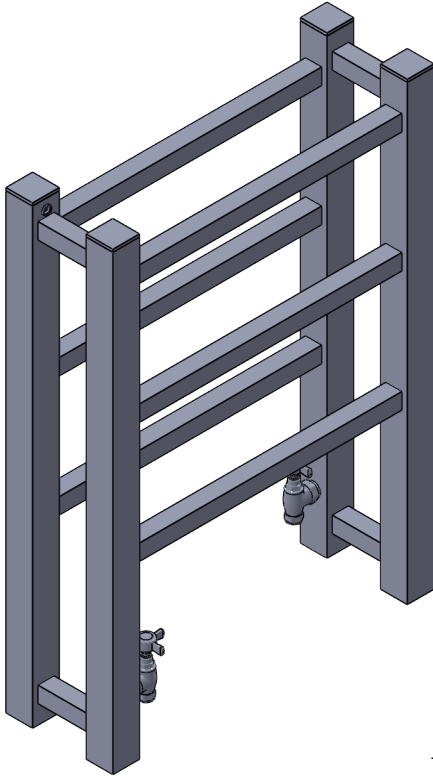
33.5x23.6

Height: 33.5
 Width: 23.6
 Depth: 7.9
 Weight HO: lbs (kg)
 EO: lbs (kg)

Tube ϕ : 1.2sq + 2.0sq
 Output @ 50° C Δ T: 716
 Elec. element if specified: n/a
 Face-Face Connections: 19.3

All dimensions in inches

Manufactured from 1.4301/X5CrNi18-10 stainless steel



inches	mm
33.5	850
23.6	600
7.9	200
29.5	750
21.7	550
5.9	150
19.3	490
3.9	100

Vogue UK Ltd. reserve the right to alter specifications without prior notice.
 ALL MEASUREMENTS ARE NOMINAL DIMENSIONS ONLY, AND ARE NOT BINDING.



SCALE 1:8

VOGUE

UK
 TOWEL DRYERS

175 Memorial Drive Unit C
 Shrewsbury MA 01545 USA
 Tel: 508 887 8771 Fax: 508 887 8774
 e-mail: info@vogueuk.com www.vogueuk.com