

# IN012

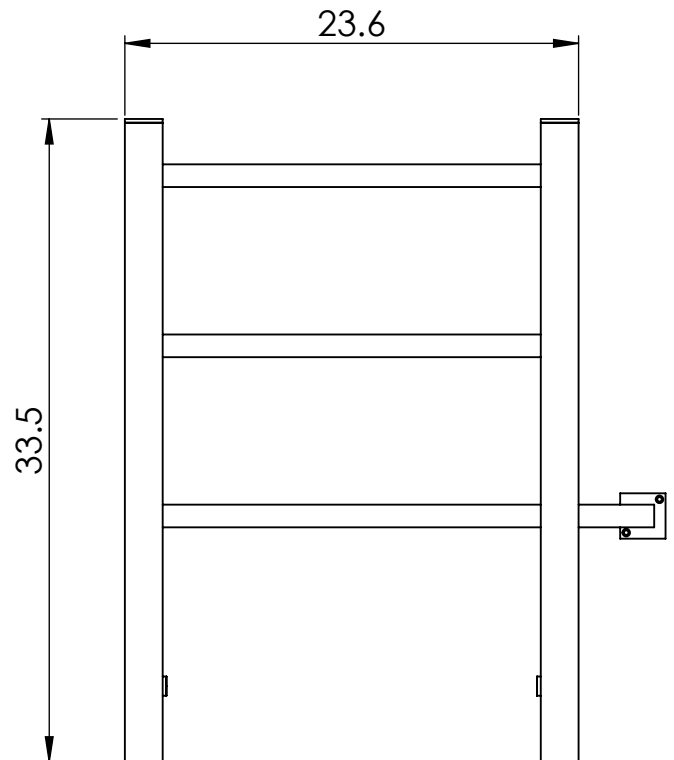
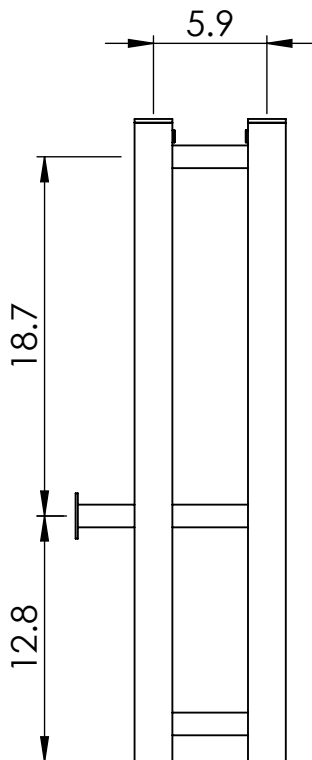
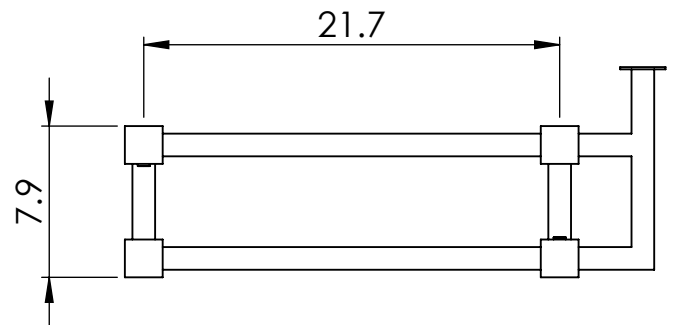
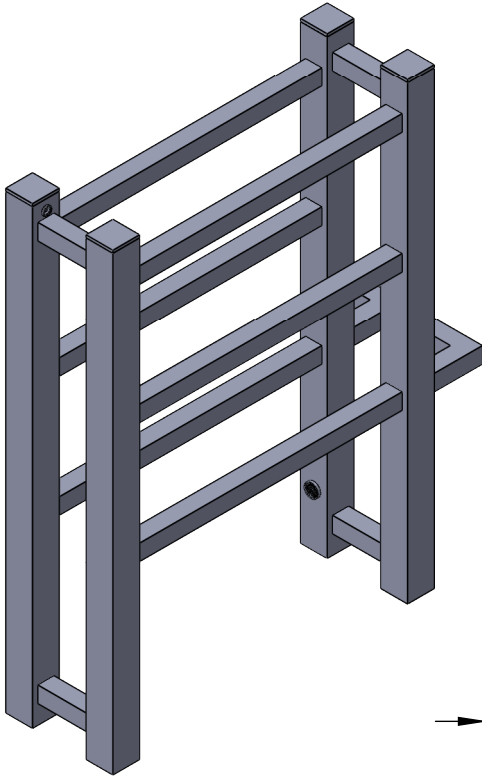
## 33.5x23.6

Height: 33.5  
 Width: 23.6  
 Depth: 7.9  
 Weight HO: lbs (kg)  
 EO: lbs (kg)

Tube  $\phi$ : 1.2sq + 2.0sq  
 Output @ 50° C $\Delta$  T: n/a  
 Elec. element if specified: 2 x 125  
 Face-Face Connections: n/a

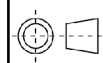
All dimensions in inches

Manufactured from 1.4301/X5CrNi18-10 stainless steel



inches	mm
33.5	850
23.6	600
7.9	200
18.7	475
21.7	550
5.9	150
12.8	325

Vogue UK Ltd. reserve the right to alter specifications without prior notice.  
 ALL MEASUREMENTS ARE NOMINAL DIMENSIONS ONLY, AND ARE NOT BINDING.



**SCALE 1:8**

# VOGUE

UK  
 TOWEL DRYERS

175 Memorial Drive Unit C  
 Shrewsbury MA 01545 USA  
 Tel: 508 887 8771 Fax: 508 887 8774  
 e-mail: info@vogueuk.com www.vogueuk.com