

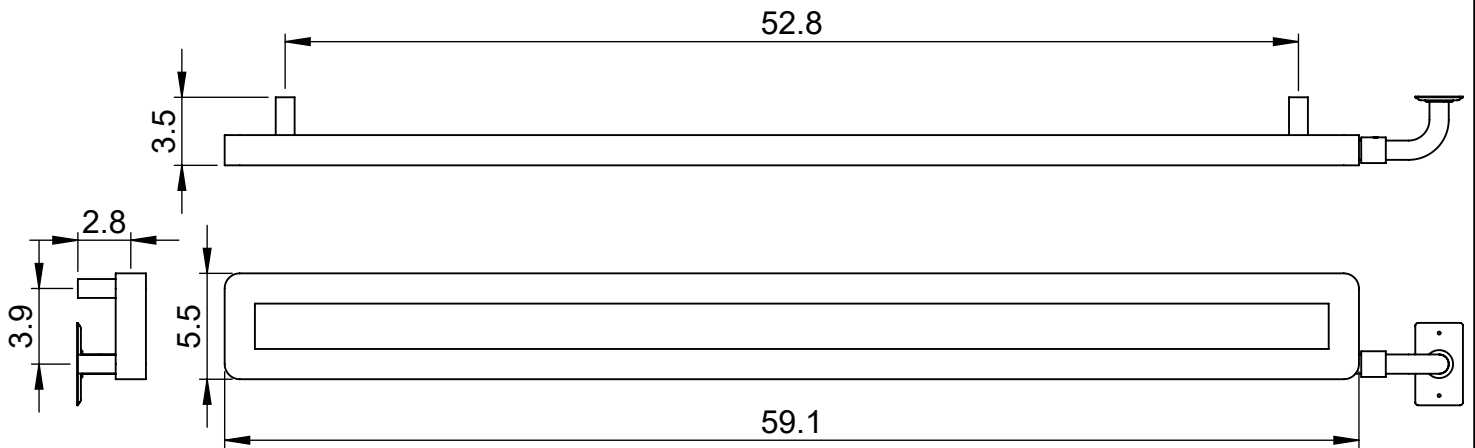
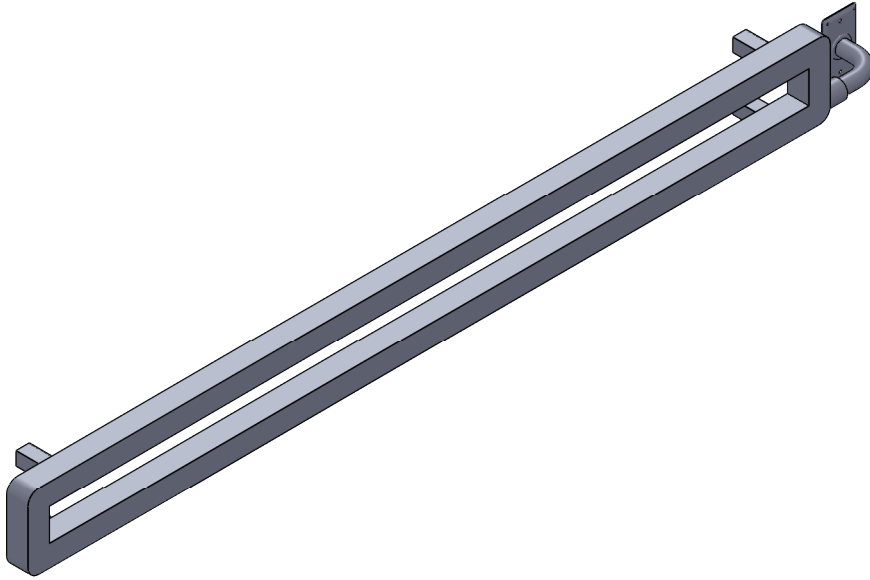
IN002C 5.5x59.1

Height: 5.5
Width: 59.1
Depth: 3.5
Weight HO: 20.9lbs (9.5kg)
EO: 38.6lbs (17.5kg)

Tube ϕ : 1.6sq
Output @ 50° C Δ T: n/a
Elec. element if specified: 125
End to End Connections: n/a

All dimensions in inches

Manufactured from 1.4301/X5CrNi18-10 stainless steel



inches	mm
5.5	140
59.1	1500
3.5	90
3.9	100
52.8	1340
2.8	70

Vogue UK Ltd. reserve the right to alter specifications without prior notice.
ALL MEASUREMENTS ARE NOMINAL DIMENSIONS ONLY, AND ARE NOT BINDING.



SCALE 1:10

VOGUE
TOWEL DRYERS

175 Memorial Drive Unit C
Shrewsbury MA 01545 USA
Tel: 508 887 8771 Fax: 508 887 8774
e-mail: info@vogueuk.com www.vogueuk.com