

IN002B

5.5x39.4

Height: 5.5

Width: 39.4

Depth: 3.5

Weight HO: 20.9lbs (9.5 kg)

EO: 38.6lbs (17.5kg)

Tube ϕ : 1.6sq

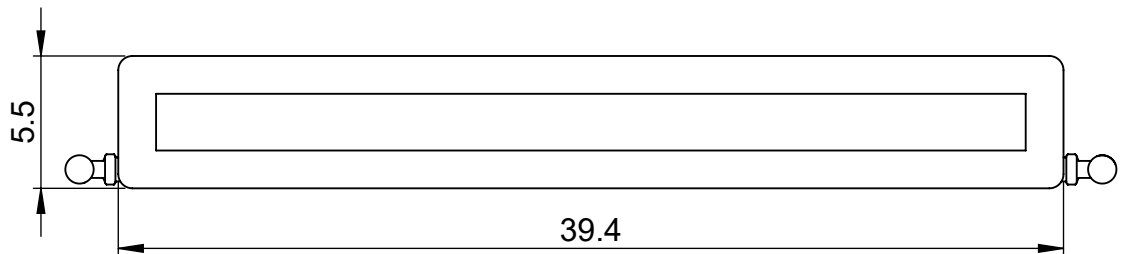
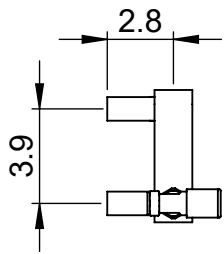
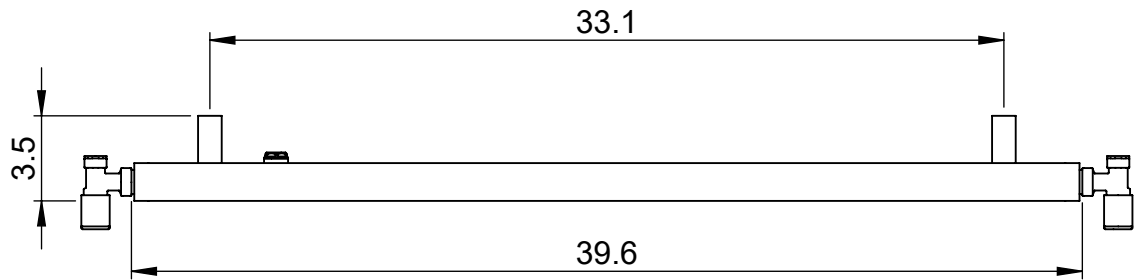
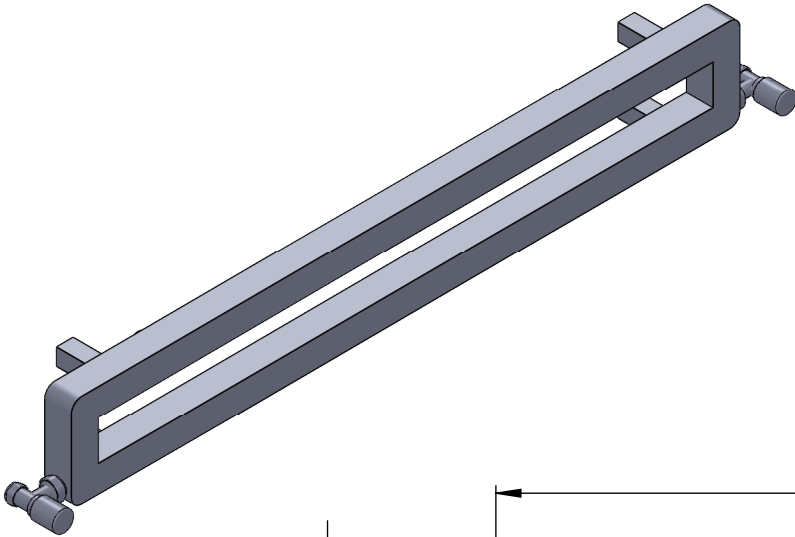
Output @ 50° C Δ T: 223

Elec. element if specified: n/a

End to End Connections: 39.6

All dimensions in inches

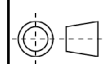
Manufactured from 1.4301/X5CrNi18-10 stainless steel



inches mm

5.5	140
39.4	1000
3.5	90
3.9	100
33.1	840
2.8	70
39.6	1006

Vogue UK Ltd. reserve the right to alter specifications without prior notice.
ALL MEASUREMENTS ARE NOMINAL DIMENSIONS ONLY, AND ARE NOT BINDING.



SCALE 1:8

VOGUE

UK
TOWEL DRYERS

175 Memorial Drive Unit C
Shrewsbury MA 01545 USA
Tel: 508 887 8771 Fax: 508 887 8774
e-mail: info@vogueuk.com www.vogueuk.com