

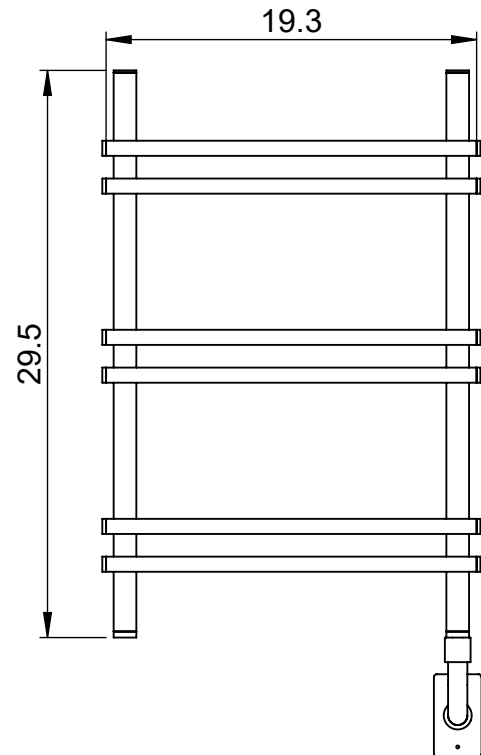
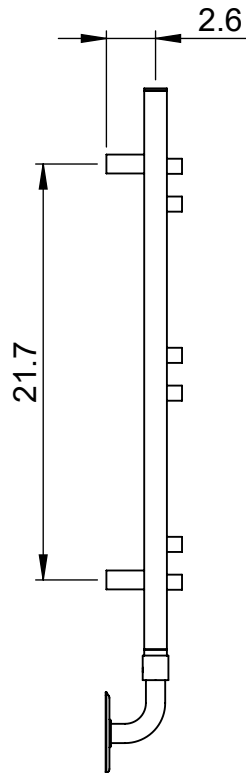
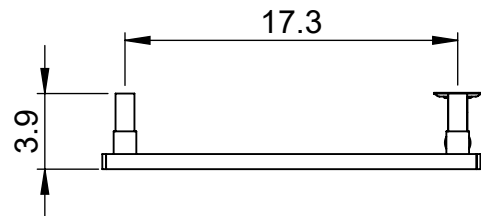
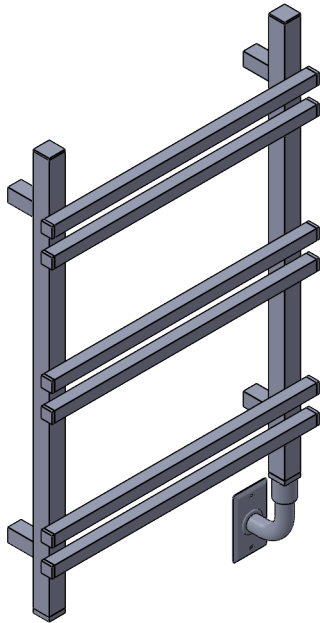
# EN011A 29.5x19.7

Height: 29.5  
Width: 19.7  
Depth: 3.9  
Weight HO: lbs (kg)  
EO: lbs (kg)

Tube  $\phi$ : 1.2sq + 0.8sq  
Output @ 50° C  $\Delta$  T: n/a  
Elec. element if specified: 200  
Pipe Centres: 17.3

All dimensions in inches

Manufactured from 1.4301/X5CrNi18-10 stainless steel



inches	mm
29.5	750
19.3	490
3.9	100
21.7	550
17.3	440
2.6	65

Vogue UK Ltd. reserve the right to alter specifications without prior notice.  
ALL MEASUREMENTS ARE NOMINAL DIMENSIONS ONLY, AND ARE NOT BINDING.



**SCALE 1:10**

**VOGUE**  
TOWEL DRYERS

175 Memorial Drive Unit C  
Shrewsbury MA 01545 USA  
Tel: 508 887 8771 Fax: 508 887 8774  
e-mail: info@vogueuk.com www.vogueuk.com