

EL029

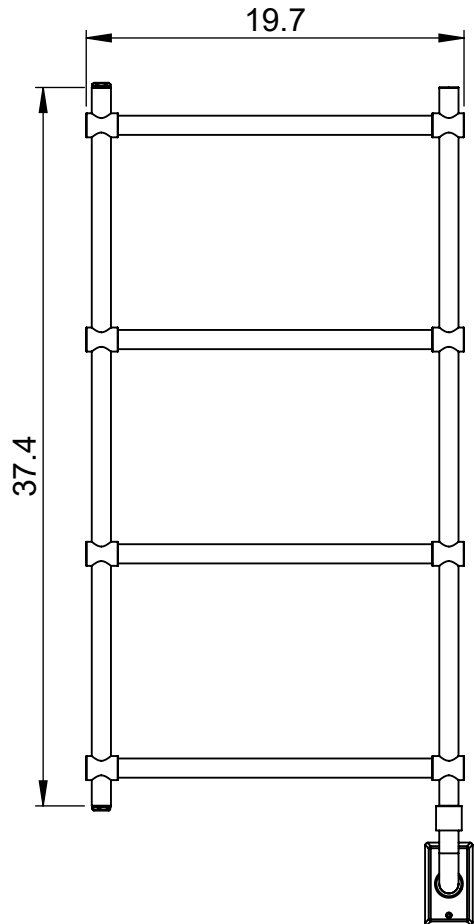
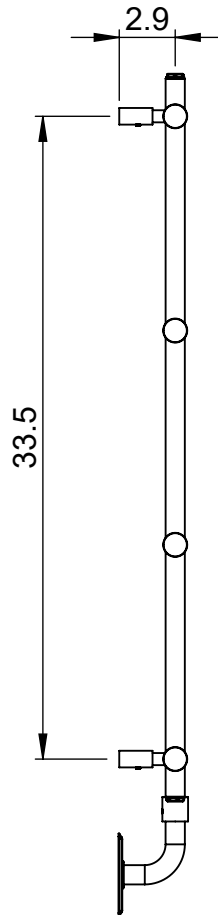
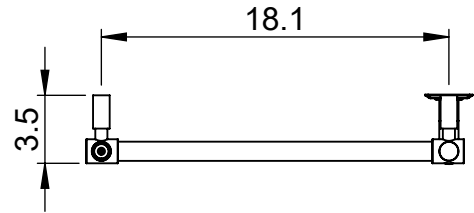
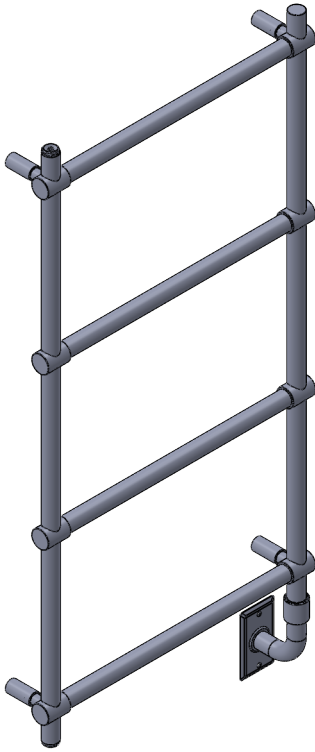
37.4x19.7

Height: 37.4
 Width: 19.7
 Depth: 3.5
 Weight HO: lbs (kg)
 EO: 20.9lbs (9.5kg)

Tube ϕ : 1.0
 Output @ 50° C Δ T: n/a
 Elec. element if specified: 125
 Pipe Centres: n/a

All dimensions in inches

Manufactured from Mild Steel



inches	mm
37.4	950
19.7	500
3.5	90
33.5	850
18.1	460
2.9	75

Vogue UK Ltd. reserve the right to alter specifications without prior notice.
 ALL MEASUREMENTS ARE NOMINAL DIMENSIONS ONLY, AND ARE NOT BINDING.



SCALE 1:10

VOGUE

TOWEL DRYERS

175 Memorial Drive Unit C
 Shrewsbury MA 01545 USA
 Tel: 508 887 8771 Fax: 508 887 8774
 e-mail: info@vogueuk.com www.vogueuk.com