

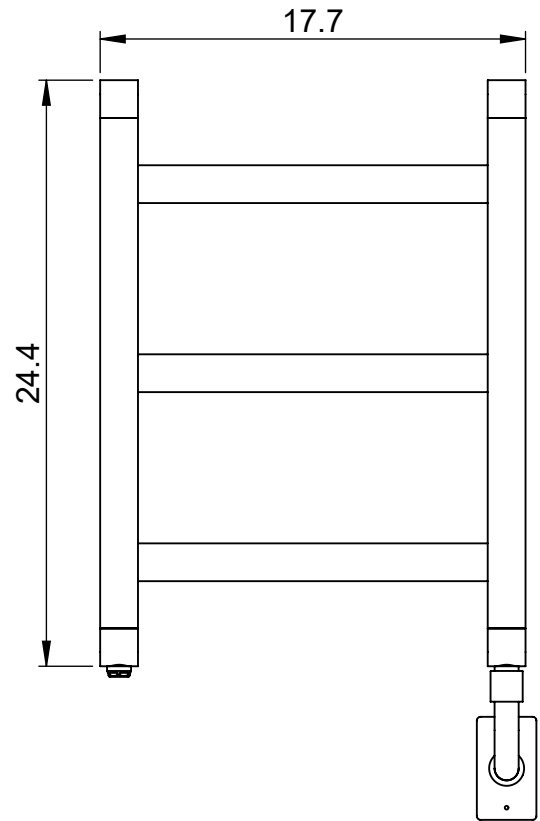
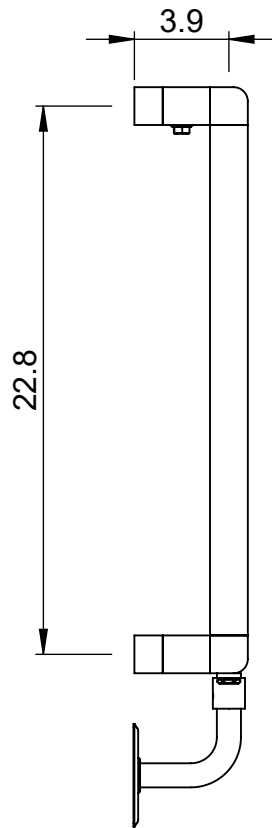
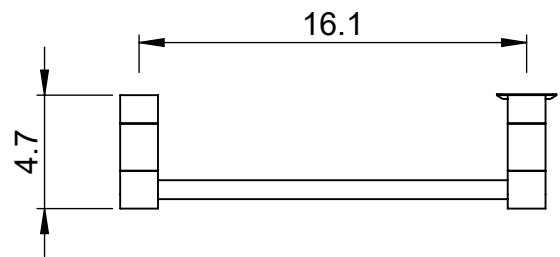
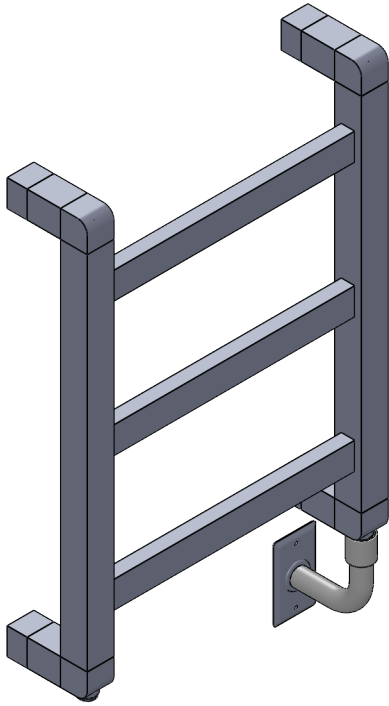
EL021 24.4x17.7

Height: 24.4
Width: 17.7
Depth: 4.7
Weight HO: lbs (kg)
EO: 27.6lbs (12.5kg)

Tube ϕ : 1.6sq + 1.6x0.8
Output @ 50° C Δ T: n/a
Elec. element if specified: 100
Pipe Centres: n/a

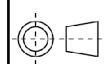
All dimensions in inches

Manufactured from Mild Steel



inches	mm
24.4	620
17.7	450
4.7	120
22.8	580
16.1	410
3.9	100

Vogue UK Ltd. reserve the right to alter specifications without prior notice.
ALL MEASUREMENTS ARE NOMINAL DIMENSIONS ONLY, AND ARE NOT BINDING.



SCALE 1:8

VOGUE
TOWEL DRYERS

175 Memorial Drive Unit C
Shrewsbury MA 01545 USA
Tel: 508 887 8771 Fax: 508 887 8774
e-mail: info@vogueuk.com www.vogueuk.com