

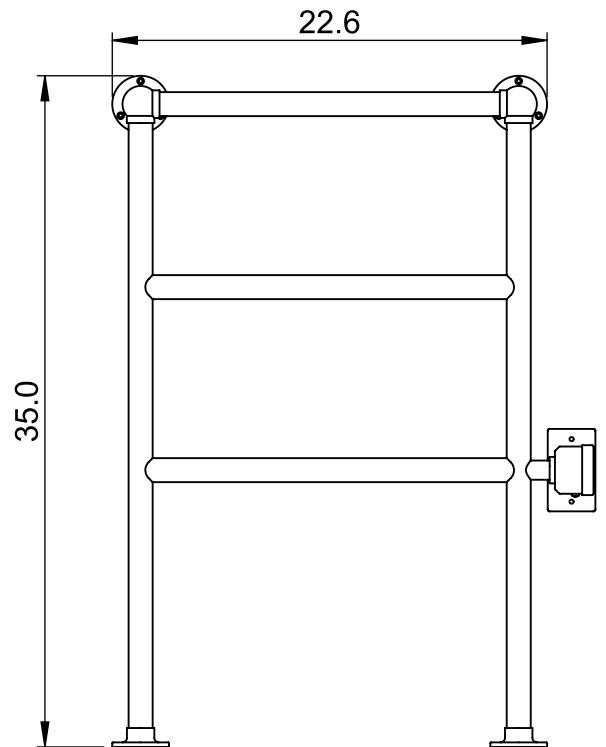
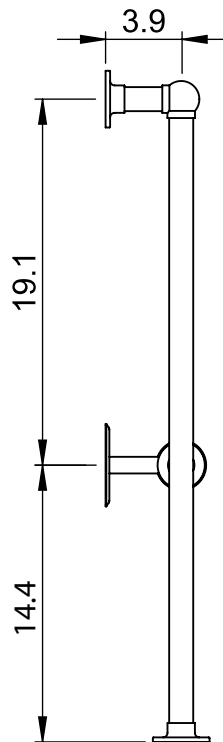
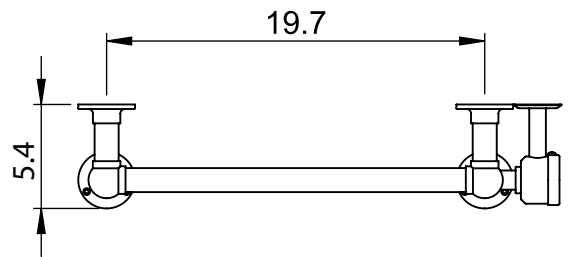
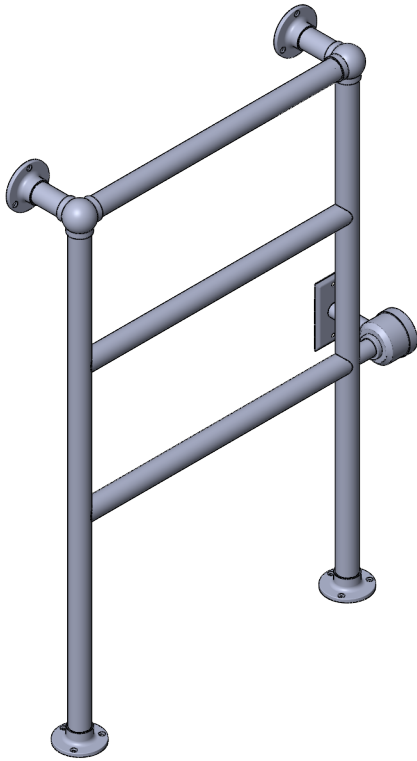
EL010 35.0x22.6

Height: 35.0
Width: 22.6
Depth: 5.4
Weight HO: lbs (kg)
EO: lbs (kg)

Tube ϕ : 1.25
Output @ 50°C Δ T: n/a
Elec. element if specified: 100
Pipe Centres: n/a

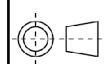
All dimensions in inches

Manufactured from ISO/CEN CuZn36As (BS CZ126) brass tube



inches	mm
35.0	888
22.6	575
5.4	138
19.1	484
14.4	366
19.7	500
3.9	100

Vogue UK Ltd. reserve the right to alter specifications without prior notice.
ALL MEASUREMENTS ARE NOMINAL DIMENSIONS ONLY, AND ARE NOT BINDING.



SCALE 1:8

VOGUE
TOWEL DRYERS

175 Memorial Drive Unit C
Shrewsbury MA 01545 USA
Tel: 508 887 8771 Fax: 508 887 8774
e-mail: info@vogueuk.com www.vogueuk.com