

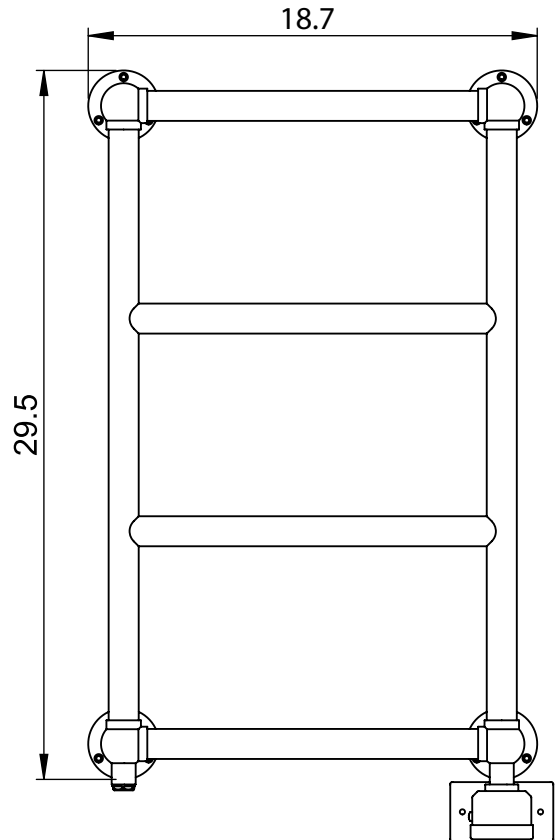
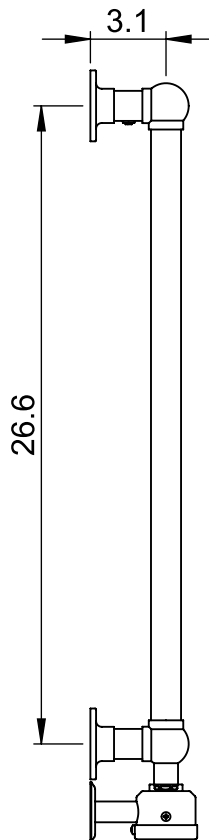
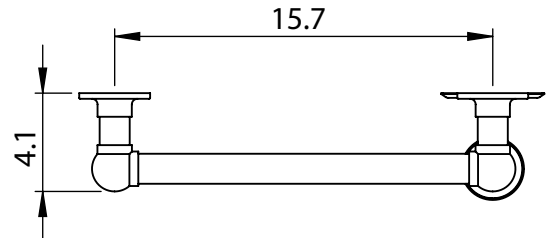
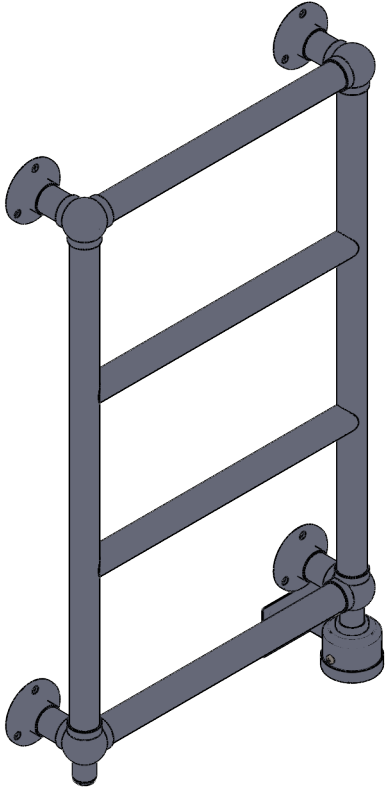
# EL004 29.5x18.7

Height: 29.5  
Width: 18.7  
Depth: 4.1  
Weight HO: 12.1lbs (5.5kg)  
EO: 20.9lbs (9.5kg)

Tube  $\phi$ : 1.25  
Output @ 50°C  $\Delta$  T: n/a  
Elec. element if specified: 100  
Pipe Centres: 15.7

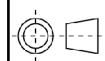
All dimensions in inches

Manufactured from ISO/CEN CuZn36As (BS CZ126) brass tube



inches	mm
29.5	750
18.7	475
4.1	105
26.6	675
15.7	400
3.1	80

Vogue UK Ltd. reserve the right to alter specifications without prior notice.  
ALL MEASUREMENTS ARE NOMINAL DIMENSIONS ONLY, AND ARE NOT BINDING.



**SCALE 1:8**

# VOGUE

TOWEL DRYERS

175 Memorial Drive Unit C  
Shrewsbury MA 01545 USA  
Tel: 508 887 8771 Fax: 508 887 8774  
e-mail: info@vogueuk.com www.vogueuk.com