

# CN007A

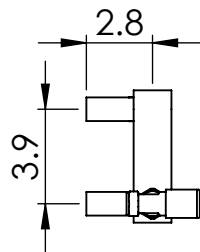
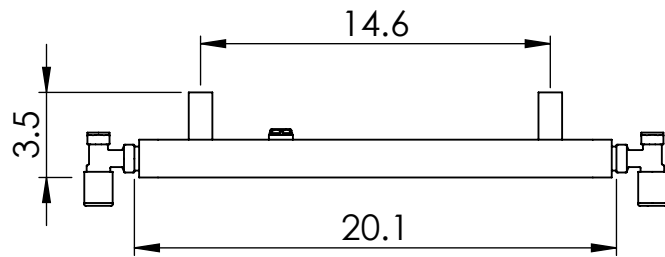
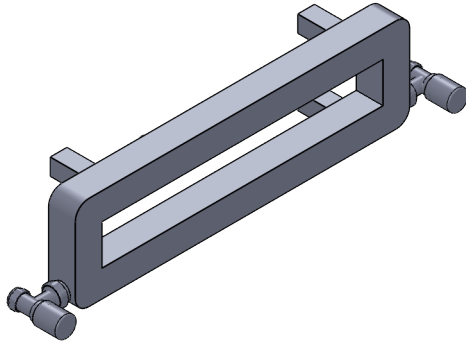
## 5.5x19.7

Height: 5.5  
 Width: 19.7  
 Depth: 3.5  
 Weight HO: lbs (kg)  
 EO: lbs (kg)

Tube  $\phi$ : 1.6sq  
 Output @ 50° C  $\Delta$  T: 86  
 Elec. element if specified: n/a  
 End to End Connections: 20.1

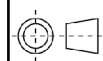
All dimensions in inches

Manufactured from Mild Steel



inches	mm
19.7	500
5.5	140
3.5	90
3.9	100
14.6	370
2.8	70
20.1	510

Vogue UK Ltd. reserve the right to alter specifications without prior notice.  
 ALL MEASUREMENTS ARE NOMINAL DIMENSIONS ONLY, AND ARE NOT BINDING.



**SCALE 1:8**

# VOGUE

TOWEL DRYERS

175 Memorial Drive Unit C  
 Shrewsbury MA 01545 USA  
 Tel: 508 887 8771 Fax: 508 887 8774  
 e-mail: info@vogueuk.com www.vogueuk.com