

CN007A

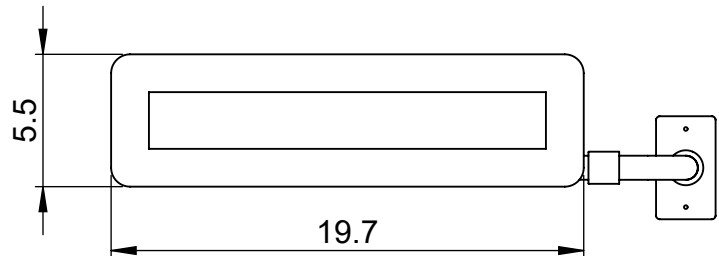
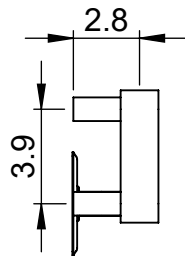
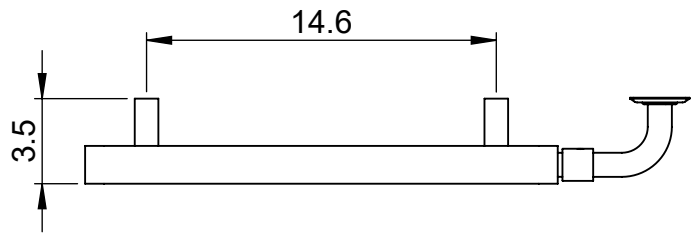
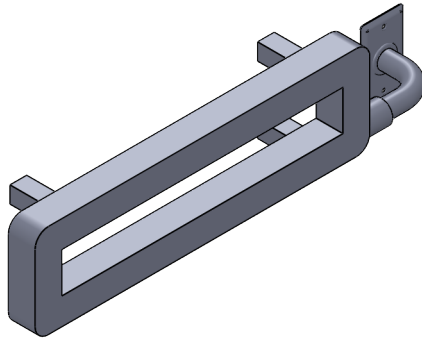
5.5x19.7

Height: 5.5
 Width: 19.7
 Depth: 3.5
 Weight HO: lbs (kg)
 EO: lbs (kg)

Tube ϕ : 1.6sq
 Output @ 50° C Δ T: n/a
 Elec. element if specified: 100
 End to End Connections: n/a

All dimensions in inches

Manufactured from Mild Steel



inches	mm
19.7	500
5.5	140
RD5@Drawing View3	0
3.9	100
14.6	370
RD3@Drawing View2	0

Vogue UK Ltd. reserve the right to alter specifications without prior notice.
 ALL MEASUREMENTS ARE NOMINAL DIMENSIONS ONLY, AND ARE NOT BINDING.



SCALE 1:8

VOGUE

TOWEL DRYERS

175 Memorial Drive Unit C
 Shrewsbury MA 01545 USA
 Tel: 508 887 8771 Fax: 508 887 8774
 e-mail: info@vogueuk.com www.vogueuk.com