

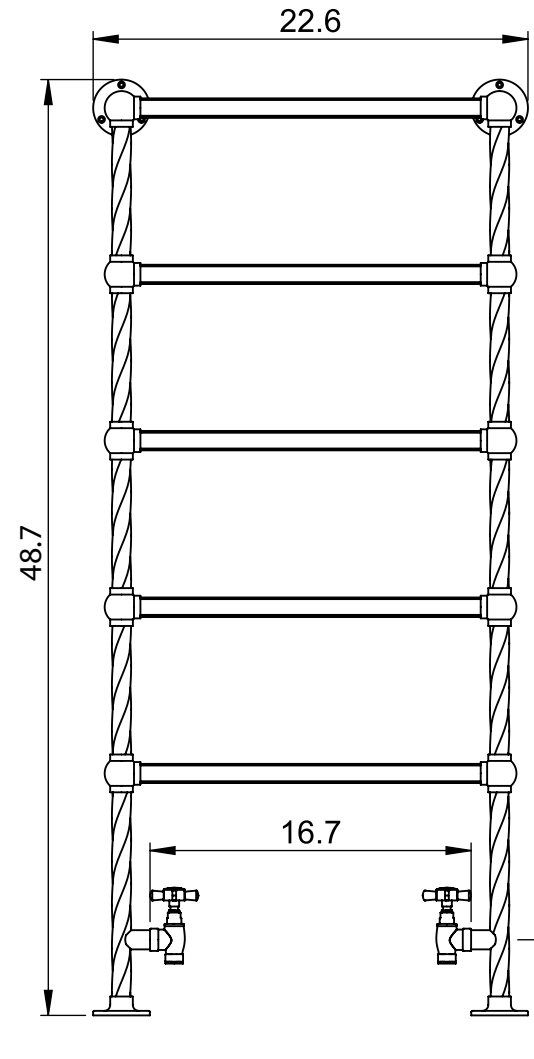
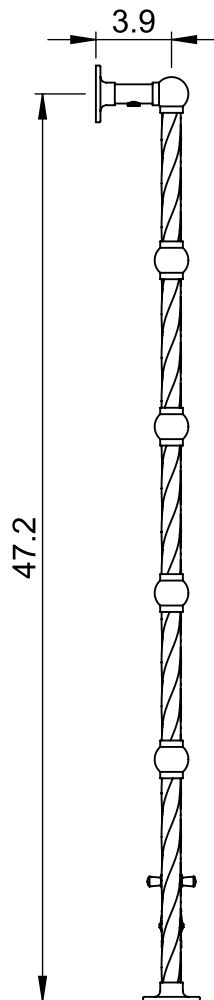
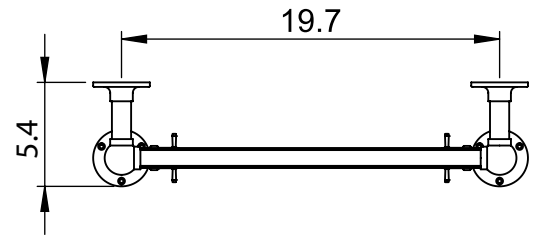
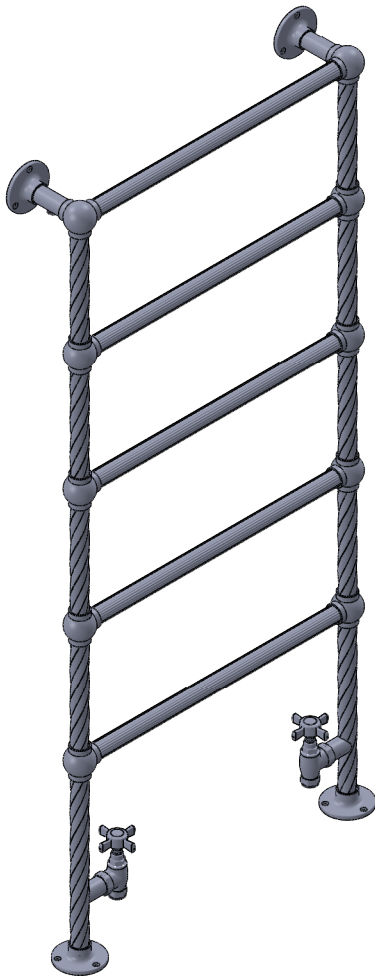
CL007 48.7x22.6

Height: 48.7
Width: 22.6
Depth: 5.4
Weight HO: lbs (kg)
EO: lbs (kg)

Tube ϕ : 25.4
Output @ 50°C Δ T: 198
Elec. element if specified: n/a
Face-Face Connections: 16.7

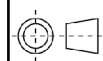
All dimensions in inches

Manufactured from ISO/CEN CuZn36As (BS CZ126) brass tube



inches	mm
48.7	1238
22.6	575
5.4	138
47.2	1200
19.7	500
3.9	100
16.7	425
3.9	100

Vogue UK Ltd. reserve the right to alter specifications without prior notice.
ALL MEASUREMENTS ARE NOMINAL DIMENSIONS ONLY, AND ARE NOT BINDING.



SCALE 1:8

VOGUE

TOWEL DRYERS

175 Memorial Drive Unit C
Shrewsbury MA 01545 USA
Tel: 508 887 8771 Fax: 508 887 8774
e-mail: info@vogueuk.com www.vogueuk.com