

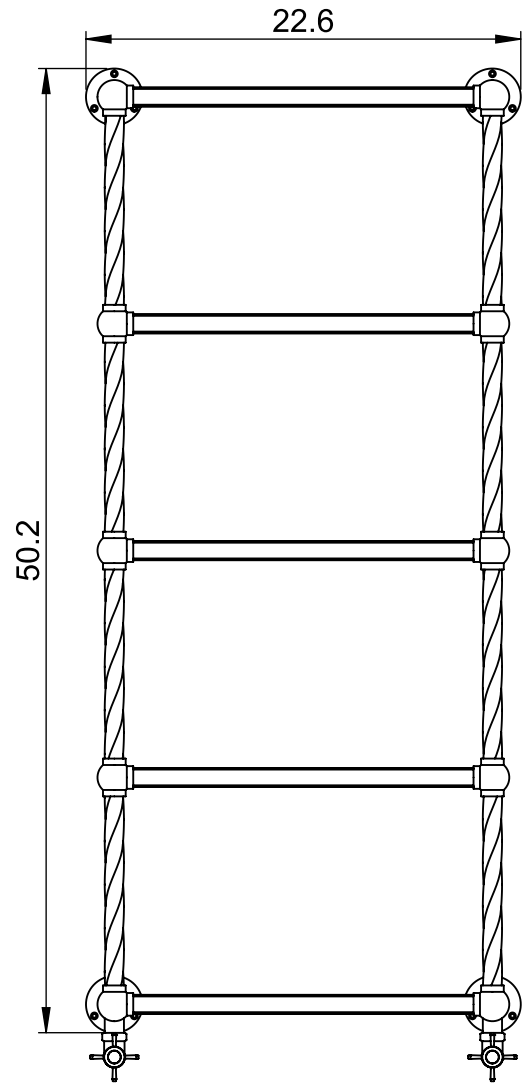
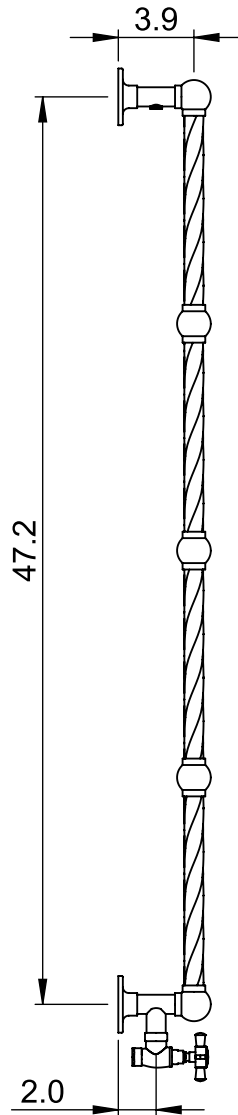
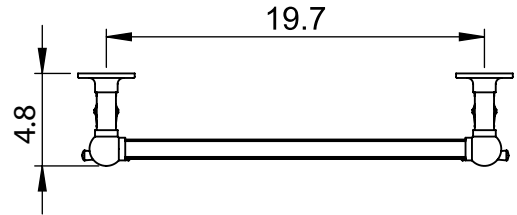
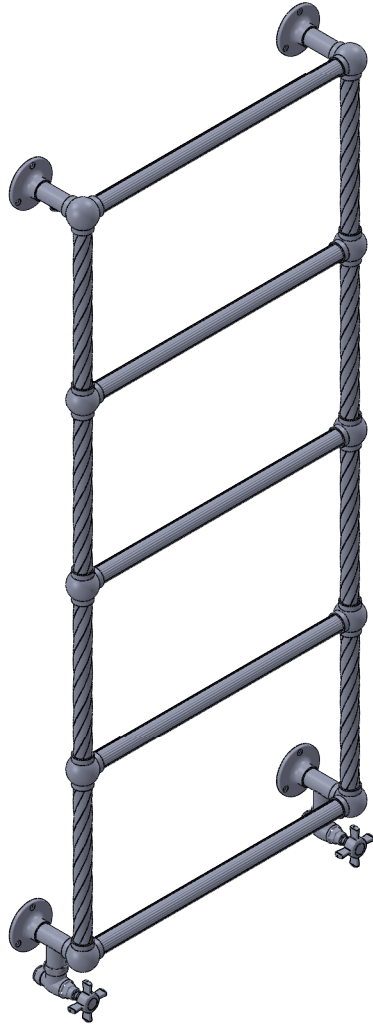
# CL006 50.2x22.6

Height: 50.2  
Width: 22.6  
Depth: 4.8  
Weight HO: lbs (kg)  
EO: lbs (kg)

Tube  $\phi$ : 1.0  
Output @ 50°C  $\Delta$  T: 206  
Elec. element if specified: n/a  
Pipe Centres: 19.7

All dimensions in inches

Manufactured from ISO/CEN CuZn36As (BZ CZ126) brass tube



inches	mm
50.2	1275
22.6	575
4.8	123
47.2	1200
19.7	500
3.9	100
2.0	50

Vogue UK Ltd. reserve the right to alter specifications without prior notice.  
ALL MEASUREMENTS ARE NOMINAL DIMENSIONS ONLY, AND ARE NOT BINDING.



SCALE 1:10

# VOGUE

TOWEL DRYERS

175 Memorial Drive Unit C  
Shrewsbury MA 01545 USA  
Tel: 508 887 8771 Fax: 508 887 8774  
e-mail: info@vogueuk.com www.vogueuk.com