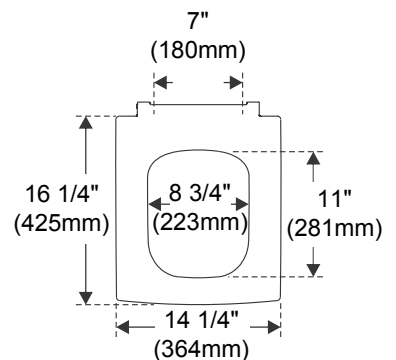




Memento 2.0 SC/QR

Model — **8M24U1** Memento 2.0 toilet seat with Softclosing and Quickrelease, incl. 9221 89 61 hinges

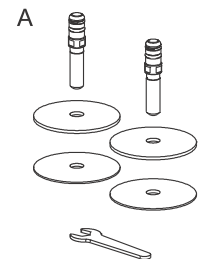
Product Description — Memento 2.0 toilet seat in Wrap-Over-Design made of colour ingrained duroplast:
 - incl. hinges stainless steel
 - centre distance: 7" (180 mm)
 - load of ring seat: 530 lb (240 kg)
 - 1 year guarantee



Colour Programme — 01 White (Alpin)

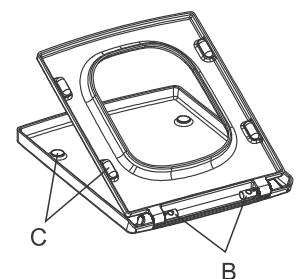
Hinge Finish — 61 Stainless steel

Spare Parts —
 A) 9221 89 61 hinges stainless steel
 B) 9221 91 00 Softclosing damper packet
 C) 9221 86 00 Buffers for seat and cover



Cleaning Instructions — Use a mild soap solution. Seat and hinge should not be left damp, but be dried with a soft cloth. When using abrasive, corrosive or chlorine based cleaners for the bowl, avoid contact with seat and hinge as it may lead to damages or flash rust. Therefore, when cleaning the bowl, make sure that seat and cover are in an upright position until all the cleaner has been flushed away.

Material Description —
TOILET SEAT: The material is colour ingrained duroplast (UF A 10 = urea formaldehyde) that contains no environmentally hazardous substances. UF plastic comprises 67 % urea formaldehyde resin, 28 % cellulose, as well as 5 % minerals, pigments, lubricants and moisture content. The raw material from the supplier contains less than 0,03 % formaldehyde after a special curing process.
BUFFERS: TPE (Thermoplastic Elastomer)
MOUNT/HINGE: stainless steel



Villeroy & Boch AG
 P.O. Box 1122
 66688 Mettlach, Germany

www.villeroy-boch.com

Service contact:
 E-mail: inquiries.usa@villeroy-boch.com
 Tel.: 1 800 536-2284


Villeroy & Boch
 1748