

O.NOVO INSTITUTIONALS SIPHONIC URINAL RECTANGLE

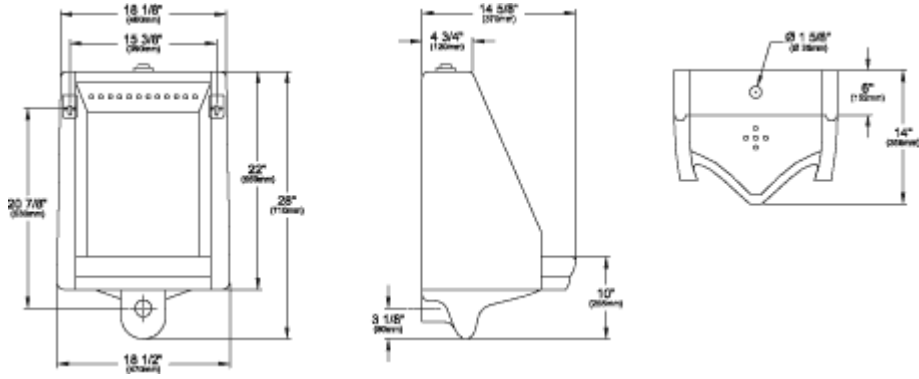
PRODUCT INFORMATION



| | |
|--------------------------|---|
| Article title | Villeroy & Boch O.novo Institutionals Siphonic urinal, Water inlet from above, 18 1/2" x 13 3/4", White Alpin |
| Article number | 75320001 |
| Assembly / Assembly type | wall-mounted |
| Scope of delivery | 1x siphonic urinal 1x fastening set |
| Depth in inch | 13 3/4" |
| Width in inch | 18 1/2" |
| Height in inch | 27 7/8" |
| Collection | O.novo Institutionals |
| Product designation | Siphonic urinal |
| Suitable for | Installation without lid |
| Flush volume l | 0,26 / l |
| Shape | Rectangle |
| Colour designation | White Alpin |
| Rimless (DirectFlush) | No |
| Flush type | Siphonic urinal |
| Outlet / outlet | rear |

TECHNICAL DRAWINGS

75320001



75320001

