



Toilet seat Subway 2.0

Model

9M68 U1 Subway 2.0 toilet seat with Soft Closing and Quick Release, incl. fixed hinge

Product Description

Subway toilet seat in Wrap Over design made of color ingrained duroplast with fixed hinge in stainless steel and plastic

- incl. fixed hinge with Quick Release in stainless steel and plastic
- centre distance: 7" (180 mm)
- load of ring seat: 530 lb (240 kg)
- 1 year guarantee

Color Programme

01 White (Alpin)

Hinge Finish

61 Stainless steel

Spare Parts

A) 9222 24 61 Fixed hinge with Quick Release in stainless steel and plastic
 B) 9222 91 00 Closing packet
 C) 9220 81 00 Buffers for seat and cover

Cleaning Instructions

This toilet seat has been designed and manufactured with great care and attention to detail. If you follow a few simple cleaning instructions you will be able to enjoy its comfort, quality and beauty every day.

- In order to ensure the best possible hygiene the surface of the toilet seat is closed and porefree. Please do not use abrasive, corrosive or chlorine based cleaners as these may lead to discoloration and flash rust. Please only use mild ph neutral soap for cleaning.
- If seat and cover make contact with toilet cleaners and or other aggressive cleaners, please immediately rinse with pure water.
- After cleaning please dry off any residual dampness with a soft cloth.
- Seat and cover must be left in a upright position until all cleaning agents in the bowl have been flushed away.

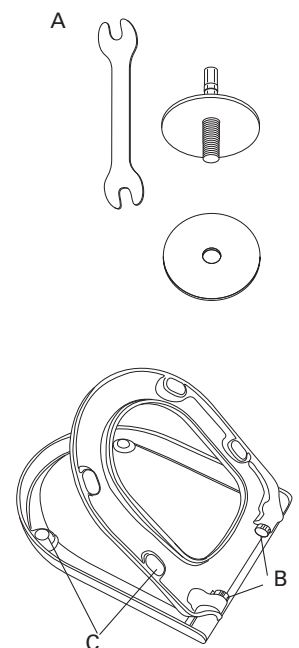
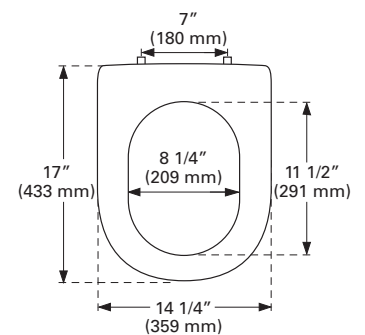
Material Description

TOILET SEAT: The material is colour ingrained duroplast (UF A 10 = urea formaldehyde) that contains no environmentally hazardous substances. UF plastic comprises 67% urea formaldehyde resin, 28% cellulose, as well as 5% minerals, pigments, lubricants and moisture content. The raw material from the supplier contains less than 0,03% formaldehyde after a special curing process.

BUFFERS: EVA (copolymer made of ethylene and vinyl acetate).

DAMPER KIT: Hydraulic damper with stainless steel damper casing and plastic parts. Damper liquid: Anti-friction liquid.

MOUNT/HINGE: Stainless steel and plastic.



Villeroy & Boch AG
 P.O. Box 1122
 66688 Mettlach, Germany

www.villeroy-boch.com

Service contact:
 E-mail: inquiries@villeroy-boch-usa.com
 Tel.: TOTO USA 888-295-8134

Villeroy & Boch
 1748