



## UNDERCOUNTER DRAWERMICRO™ OVEN

Viking 5 Series – VMOD

### PROFESSIONAL FEATURES

- Opens and closes with the touch of a button
- 11 variable power levels
- 12 sensor cook, reheat, and popcorn settings
- Six defrost auto settings
- Two reheat auto settings
- Add-A-Minute allows a minute of extra cooking time to be added with the touch of a button
- Keep warm feature allows food to be kept warm for up to 30 minutes
- Beverage center reheats coffee and tea to suitable drinking temperature
- Melt/soften/warm settings automatically select the correct time and power for each function
- Child Lock safety feature locks the control panel to prevent unwanted operation

### FUNCTIONAL OVEN CAVITY

- 1.2 cubic ft. (28.3 liters) oven capacity
  - 17-5/16"W. x 7-1/8"H. x 16-9/16"D.
- 1,000 watts of output power
- Maximum functionality in minimal space
- Interior light

### INSTALLATION OPTION

Flexible placement options below an island, peninsula, or standard cabinetry and can also be installed adjacent to built-in oven



### MODEL NUMBERS

- VMOD5240SS – 24" Wide DrawerMicro Oven

### COLOR FINISHES

- Available in Stainless Steel (SS)

### WARRANTY

- 2-year full - complete product
- 90-day full - cosmetic parts such as glass, painted items and decorative items
- 5-year limited – magnetron tube

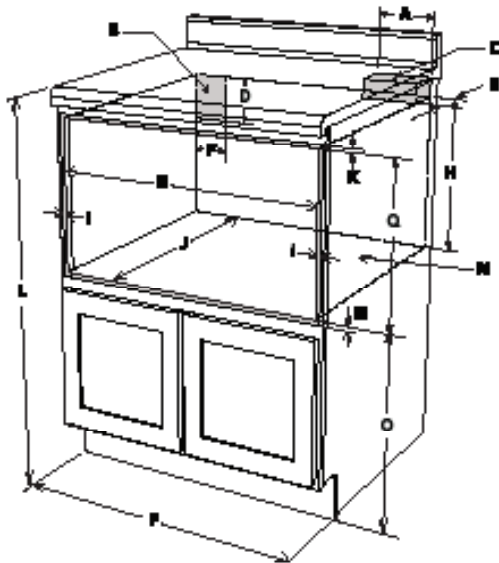


# UNDERCOUNTER DRAWERMICRO™ OVEN

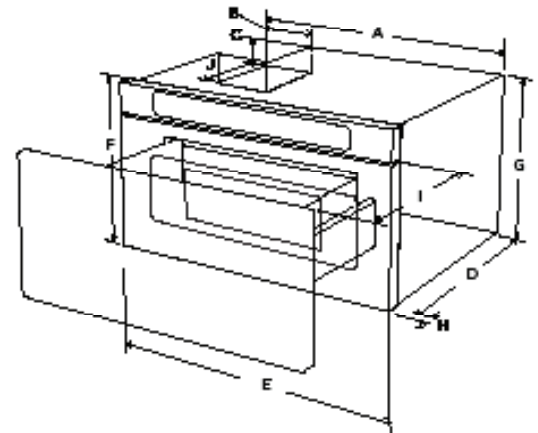
Viking 5 Series – VMOD

24" W. DRAWERMICRO™ OVEN	
DESCRIPTION	VMOD5240
Overall Width	23-7/8" (60.6 cm)
Overall Height from Bottom	15-7/8" (40.3 cm)
Overall Depth from Rear	23-1/64" (39.5 cm)
Cutout Width	22-1/8" (56.2 cm)
Cutout Height	15-9/16" (35.1 cm)
Cutout Depth	23-1/2" (59.7 cm)
Electrical Requirements	120VAC/60Hz
Maximum Amp Usage	1.67 kW, 14.5 amps
Oven Interior Dimensions	Width – 17-5/16" (43.9 cm) Height – 7-1/8" (18.1 cm) Depth – 16-9/16" (42.1 cm) Overall Size – 1.2 cu. ft.
Approximate Shipping Weight	86 lb. (39.0 kg)

Please do not prepare installation from brochure data only. See installation instructions for important clearance/installation information.  
Note: The clearance of the space between a built-in oven and the DrawerMicro must be a minimum of 2".



- A. 6" (152.40 mm)
- B. Suggested electrical outlet location\*
- C. Anti-Tip block
- D. 5" (127 mm)
- E. 3-1/2" (88.90 mm)
- F. 4" (101.60 mm)
- G. 22-1/8" (561.98 mm) opening
- H. 14-13/16" (376.24 mm) to bottom of Anti-Tip block
- I. Allow 7/8" (22.23 mm) overlap
- J. 23-1/2" (596.90 mm) minimum depth
- K. Allow 3/16" (4.76 mm) overlap
- L. 36" (914.4 mm) countertop height
- M. Allow 1/8" (3.17 mm) overlap
- N. Floor must support 100 lb (45.4 kg)
- O. 19" (482.60 mm) to top of floor
- P. 24" (609.6 mm) cabinet minimum
- Q. 15-9/16" (395.27 mm) opening



- A. 21-5/8" (549.28 mm)
- B. 4-11/16" (119.06 mm)
- C. 1-3/4" (44.45 mm)
- D. 21-7/8" (555.60 mm)
- E. 23-7/8" (606.43 mm)
- F. 15-7/8" (403.22 mm)
- G. 14-19/32" (370.69 mm)
- H. 1-9/64" (29 mm) door thickness
- I. 15" (381 mm) auto drawer opening
- J. 4" (101.6 mm)



VIKING RANGE, LLC 111 FRONT STREET GREENWOOD, MISSISSIPPI 38930 USA

For detailed product information, model numbers, or to request a quote call 1-888-845-4641 or visit [vikingrange.com](http://vikingrange.com)  
© 2020 Viking Range, LLC All rights reserved. Specifications subject to change without notice.