



# OUTDOOR UNDERCOUNTER REFRIGERATED DRAWERS

Viking 5 Series – VDUO

## PROFESSIONAL FEATURES

- 5.0 cu. ft. capacity stores (108) 12-oz cans in two large-capacity roller-glide drawers
- Adjustable grip divider included in top drawer to organize and secure contents
- Dynamic cooling technology delivers rapid cool down, frost-free operation and precise temperature stability
- Thermal-efficient cabinet insulates cooling environment and conserves energy while maximizing capacity
- Multifunction controls allows selection of precise cabinet temperature 33° F to 70° F
- Features easy-to-use settings and options
- Drawer interior durably constructed from stainless steel, the most hygienic, easy-to-clean and stain-resistant of materials
- At the touch of a button, change the interior light color to Alluvial Blue or Arctic White
- Theater-style display lighting gently brightens as door is opened and dims to off when closed
- Corrosion-resistant stainless steel exterior and rugged stainless steel toe kick
- Stainless steel toe kick adjustable to 4" with leveling legs



## MODEL NUMBERS

- VDUO5241DSS – 24"W. Refrigerated Drawers (outdoor unit)

## COLOR FINISHES

- Available in Stainless Steel (SS)

## WARRANTY

- 2-year full covers complete unit
- 6-year full – sealed refrigeration system
- 90-day full – cosmetic parts such as glass, painted items, and decorative items
- 12-year limited – sealed refrigeration system



# OUTDOOR UNDERCOUNTER REFRIGERATED DRAWERS

Viking 5 Series – VDUO

## 24" W. UNDERCOUNTER/FREESTANDING REFRIGERATED DRAWERS

DESCRIPTION	VDUO5241
Overall Width	23-7/8" (60.6 cm)
Overall Height	34-3/4" (95.9cm)
Overall Depth from Rear	To front of door – 23-23/32" (60.2 cm) To handle– 26-7/32" (66.6 cm) With door at 90° – 39-5/32" (99.5 cm)
Electrical Requirements	120V / 60Hz / 15A (5 ft. power cord attached to product)
Interior finish	Stainless Steel
Approximate Shipping Weight	160 lb. (72.6 kg)

Please do not prepare installation from brochure data only. See installation instructions for important clearance/installation information.

24" Rough-in Dimensions		
A	B	C
24" (61 cm)	34" to 35" (86.4 to 88.9 cm)	24" (61 cm)

Cabinet Dimensions		
D	E	F
23-7/8" (60.7 cm)	33-3/4" to 34-3/4" (85.7 to 88.3 cm)	23-23/32" (60.2 cm)
G	H	
26-7/32" (66.6 cm)	39-5/32" (99.5 cm)	

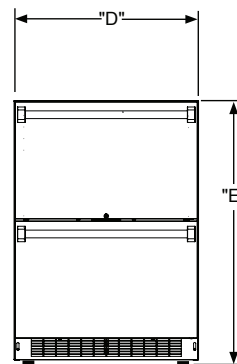
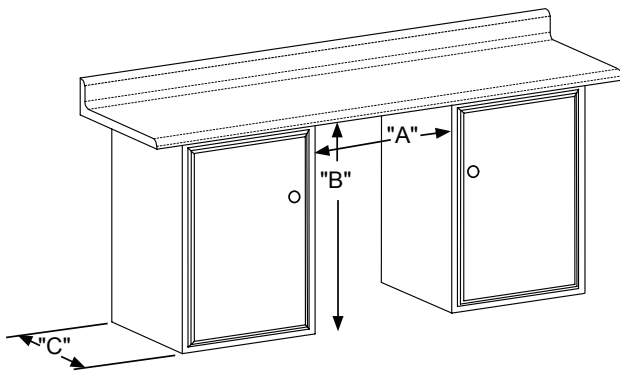
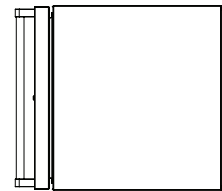
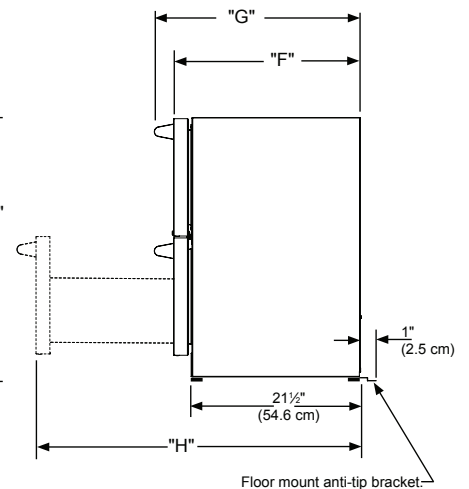


Figure 11



VIKING RANGE, LLC 111 FRONT STREET GREENWOOD, MISSISSIPPI 38930 USA

For detailed product information, model numbers, or to request a quote call 1-888-845-4641 or visit [vikingrange.com](http://vikingrange.com)  
© 2020 Viking Range, LLC All rights reserved. Specifications subject to change without notice.