

# Install / Use & Care MANUAL



## **5 SERIES** Undercounter Wine Cellar

*VUWC515G*  
*VUWC524G*

---

# Congratulations

We hope you will enjoy and appreciate the care and attention we have put into every detail of your new, state-of-the-art Viking wine cellar.

Your appliance is designed to offer years of reliable service. This Use and Care Guide will provide you with the information you need to become familiar with your wine cellar's care and operation. For additional information, visit our website at [vikingrange.com](http://vikingrange.com).

Your complete satisfaction is our ultimate goal. If you have any questions or comments about this product, contact our Consumer Support Center at 1-888-845-4641.

We appreciate your choice of our wine cellar and hope that you will again select our products for your other major appliance needs. For more information about the complete and growing selection of our products, visit us online at [vikingrange.com](http://vikingrange.com)

## Table of Contents

<b>Safety and Warnng</b>	<b>3</b>
Disposal and Recycling	3
Environmental Requirements	3
<b>Installation</b>	<b>4</b>
Cutout and Product Dimensions	4
Side by Side Installation	5
Anti-Tip Bracket	6
Leveling	7
Grille Installation	7
Door Swing	7
Door Adjust	8
<b>Operating Instructions</b>	<b>9</b>
First Use	9
Control Operation	10
Airflow and Product Loading	10
Interior Adjustments	11
Wine Guide	13
<b>Maintenance</b>	<b>16</b>
Cleaning	16
Cleaning Condenser	17
Extended Non-Use	17
Troubleshooting	17
<b>Service Information</b>	<b>19</b>
<b>Warranty</b>	<b>20</b>

## Safety and Warning

### NOTICE

Please read all instructions before installing, operating, or servicing the appliance.

Use this appliance for its intended purpose only and follow these general precautions with those listed throughout this guide:

### SAFETY ALERT DEFINITIONS

Throughout this guide are safety items labeled with a Danger, Warning, or Caution based on the risk type:

#### DANGER

Danger means that failure to follow this safety statement will result in severe personal injury or death.

#### WARNING

Warning means that failure to follow this safety statement could result in serious personal injury or death.

#### CAUTION

Caution means that failure to follow this safety statement may result in minor or moderate personal injury, property, or equipment damage.

#### DANGER

This unit contains R600a (Isobutane) which is a flammable hydrocarbon. It is safe for regular use. Do not use sharp objects to expedite defrosting. Do not service without consulting the "R600a specifications" section included in the User Guide. Do not damage the refrigerant circuit.

#### WARNING

Service must be done by factory authorized service personnel. Any parts shall be replaced with like components. Failure to comply could increase the risk of possible ignition due to incorrect parts or improper service.

### CALIFORNIA PROPOSITION 65

This product contains chemicals known to the state of California to cause cancer and birth defects or other reproductive harm. [www.P65warnings.CA.gov](http://www.P65warnings.CA.gov)

#### CAUTION

This equipment is to be installed with adequate backflow protection to comply with applicable federal, state and local codes.

### Disposal and Recycling

#### DANGER

**RISK OF CHILD ENTRAPMENT.** Before you throw away your old refrigerator or freezer, take off the doors and leave shelves in place so children may not easily climb inside.

If the unit is being removed from service for disposal, check and obey all federal, state, and local regulations regarding the disposal and recycling of refrigeration appliances, and follow these steps completely:

1. Remove all consumable contents from the unit.
2. Unplug the electrical cord from its socket.
3. Remove the door(s)/drawer(s)

### Environmental Requirements

This model is intended for indoor/interior applications only and is not to be used in installations that are open/exposed to natural elements.

This unit is designed to operate between 50°F (10°C) and 100°F (38°C). Higher ambient temperatures may reduce the unit's ability to reach low temperatures and/or reduce ice production on applicable models.

For best performance, keep the unit out of direct sunlight and away from heat generating equipment.

In climates where high humidity and dew points are present, condensation may appear on outside surfaces. This is considered normal. The condensation will evaporate when the humidity drops.

#### CAUTION

**Damages caused by ambient temperatures of 40°F (4°C) or below are not covered by the warranty.**

# Installation

## Cutout & Product Dimensions

### PREPARE SITE

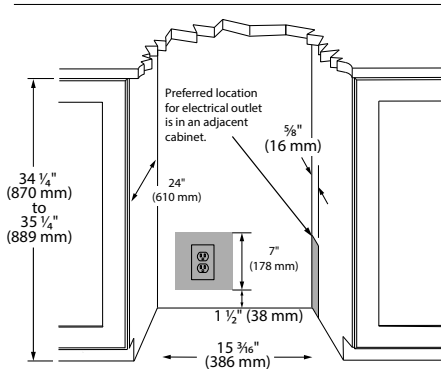
Your product has been designed for either free-standing or built-in installation. When built-in, your unit does not require additional air space for top, sides, or rear. However, the front grille must NOT be obstructed, and clearance is required for an electrical connection in the rear.



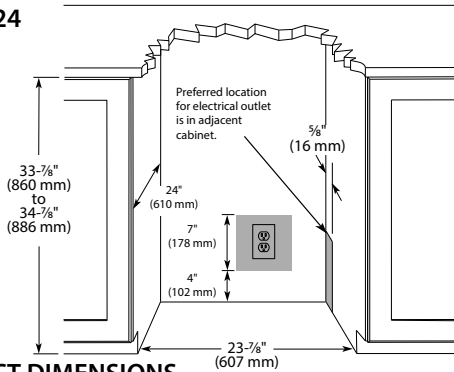
Unit can NOT be installed behind a closed cabinet door.

### CUTOUT DIMENSIONS

#### VUWC515



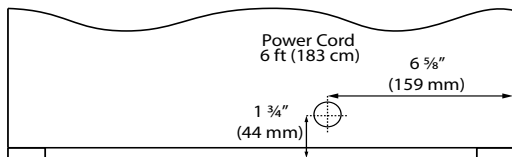
#### VUWC524



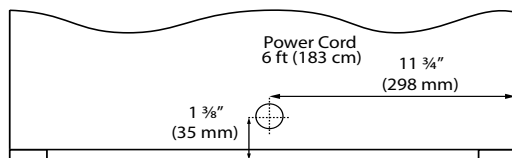
### PRODUCT DIMENSIONS

#### REAR

#### VUWC515

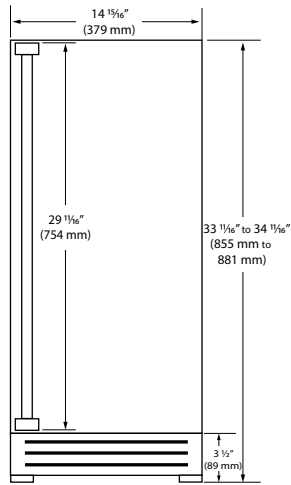


#### VUWC524

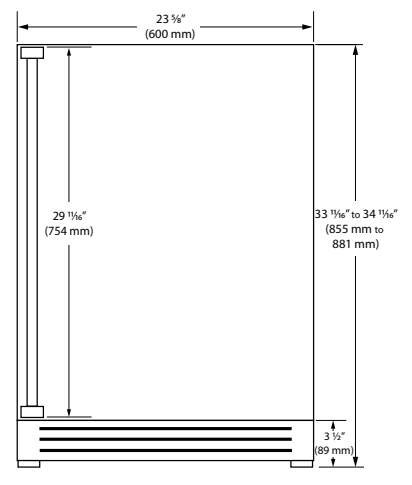


### FRONT

#### VUWC515

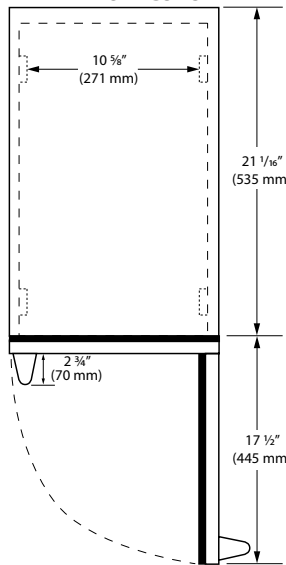


#### VUWC524

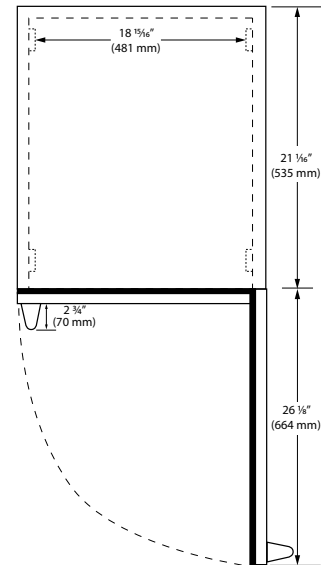


### TOP

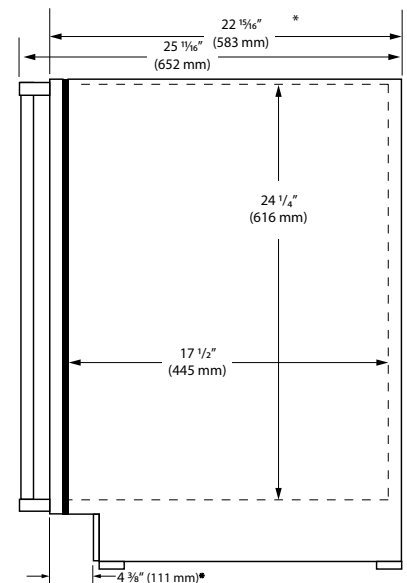
#### VUWC515



#### VUWC524



### SIDE



\*Add 1/2" for integrated models with 3/4" panel installed.

# Installation

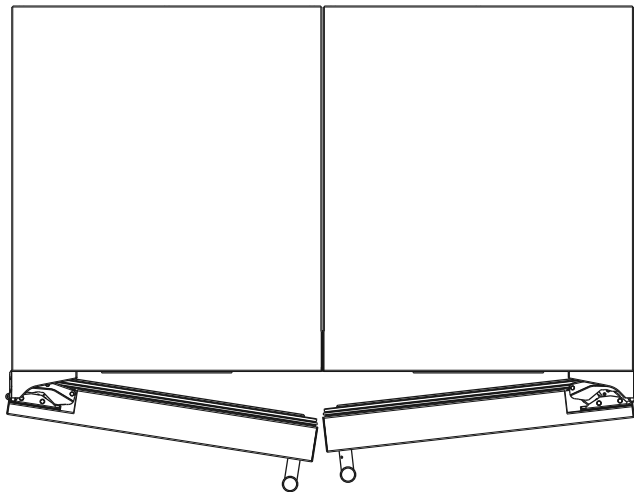
## Side-by-Side Installation

### OTHER SITE REQUIREMENTS

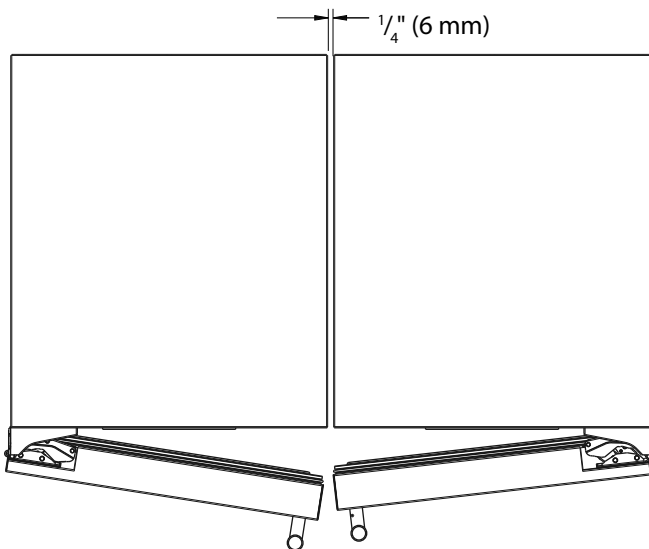
#### Side-by-Side Installation

Units must operate from separate, properly grounded electrical receptacles placed according to each unit's electrical specifications requirements.

Cutout width for a side-by-side installation is the total of the widths listed under Cutout Dimensions in each unit's Installation Guide. Each door can be opened individually (one at a time) without interference.

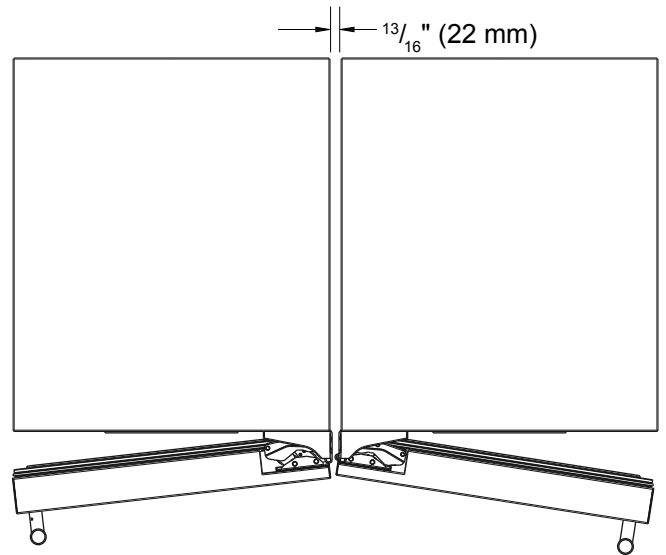


However, to ensure unobstructed door swing (opening both doors at the same time), 1/4" (6.4 mm) of space needs to be maintained between the units.

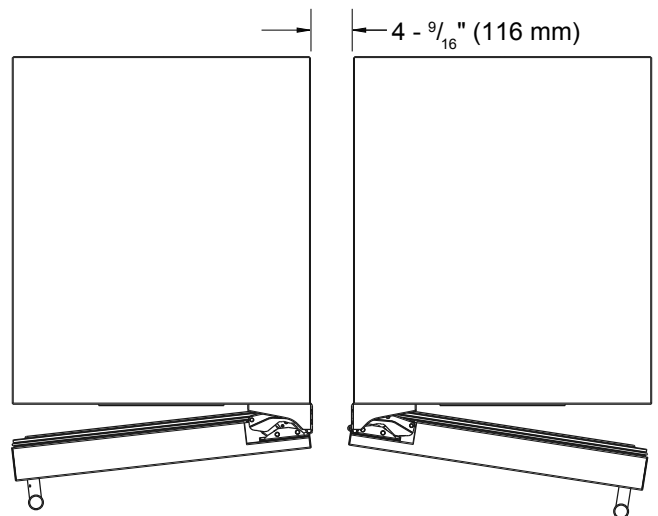


## Hinge-by-Hinge Installation (Mullion)

When installing two units hinge-by-hinge, 13/16" (22 mm) is required for integrated models. Additional space may be needed for any knobs, pulls or handles installed.



Stainless steel models which include the standard stainless handle will require 4-9/16" (116 mm) to allow both doors to open to 90° at the same time.



# Installation

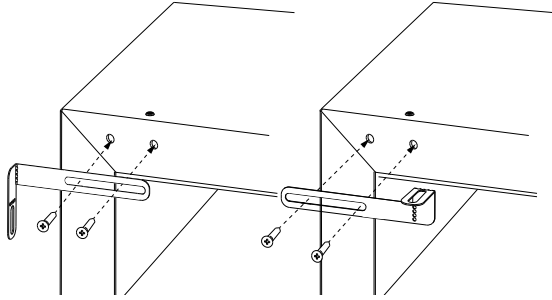
## Anti-Tip Bracket

Use one of the methods below to secure the unit

### CABINET/COUNTER ANTI-TIP INSTALLATION

(For built-in applications)

1. Slide unit out so screws on front of unit are easily accessible.
2. Remove the two screws from the front of the unit.

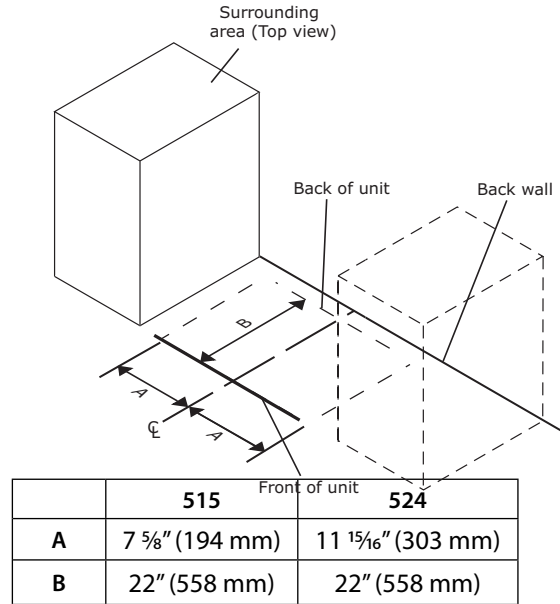


3. Bend bracket along one of the perforations to allow attachment to the desired adjoining surface.
4. Gently push unit into position. Be careful not to entangle the electrical cord or water line, if applicable.
5. Check to be sure the unit is level from front to back and side to side. Make any necessary adjustments. The unit's top surface should be approximately  $\frac{1}{8}$ " (3 mm) below the countertop.
6. Secure bracket to adjoining surface.

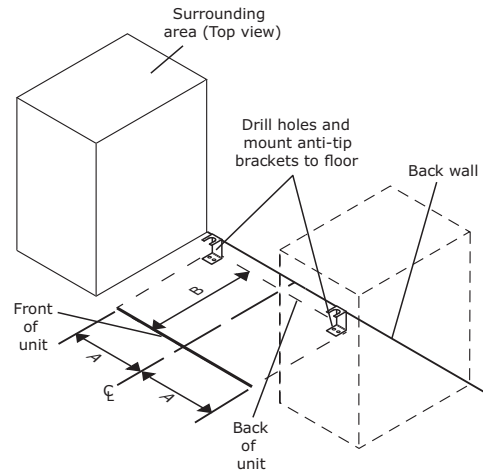
### FLOOR MOUNTED ANTI-TIP INSTALLATION

(For free-standing applications)

1. Locate two anti-tip brackets included with the kit.
2. Place the unit into the area where it will be installed. Check the door, sides, and top for a proper fit. Also test to make sure the door opens and closes freely.
3. Remove grille and place a mark on the floor at the front of the unit. Also place a mark on the floor in the center of the unit.
4. Remove the unit. Using a square, extend center line "B" (see chart below). This line serves as the back edge for the anti-tip brackets. From the center line, measure "A" to the left and right. This line is the outer edge of each bracket.



5. Place the anti-tip brackets on the floor against the line drawn for the outer edge. Mark spots for the screw holes.

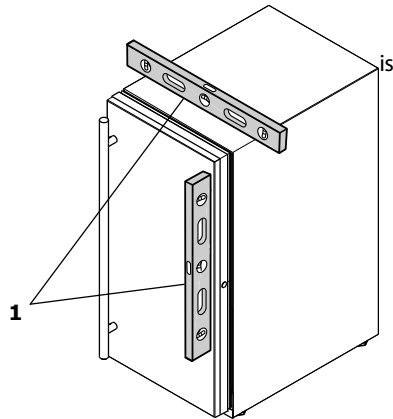


6. Use a  $\frac{1}{8}$ " drill to make two starter holes and fasten the anti-tip brackets to the floor using the screws provided.
7. Place the unit back into position, making sure the feet engage the anti-tip brackets properly. Check the alignment of the lines made on the floor in step 3 with the position of the front feet to ensure proper positioning.

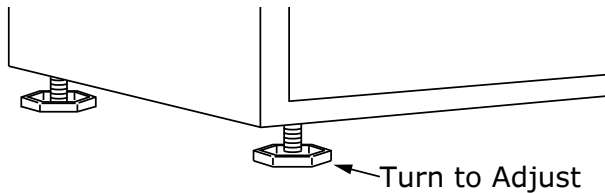
# Installation

## LEVELING INFORMATION

1. Use a level to confirm the unit level. Level should be placed along top edge and side edge as shown.



2. If the unit is not level, adjust the legs on the corners of the unit as necessary.



3. Confirm the unit is level after each adjustment and repeat the previous steps as needed.

## INSTALLATION TIP

If the room floor is higher than the floor in the cutout opening, adjust the rear legs to achieve a total unit rear height of  $\frac{1}{8}$ " (3 mm) less than opening's rear height. Shorten the unit height in the front by adjusting the front legs. This allows the unit to be gently tipped into the opening. Readjust the front legs to level the unit after it is correctly positioned in the opening.

1. Plug in the power/electrical cord.
2. Gently push the unit into position. Be careful not to entangle the cord or water and drain lines, if applicable.
3. Re-check the leveling, from front to back and side to side. Make any necessary adjustments. The unit's top surface should be approximately  $\frac{1}{8}$ " (3 mm) below the countertop.
4. Install the anti-tip bracket.
5. Remove interior packing material and wipe out the inside of the unit with a clean, water-dampened cloth.

## Grille Installation

### REMOVING AND INSTALLING GRILLE



Disconnect electric power to the unit before removing the grille.

When using the unit, the grille must be installed.



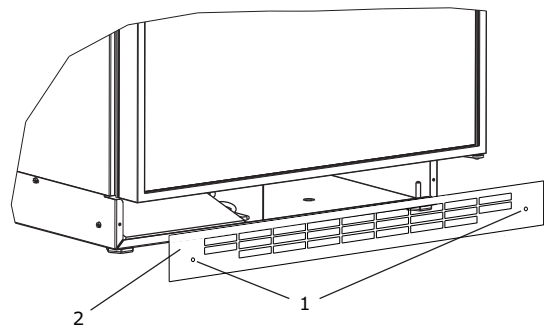
DO NOT touch the condenser fins. The condenser fins are SHARP and can be easily damaged.

#### Removing the grille

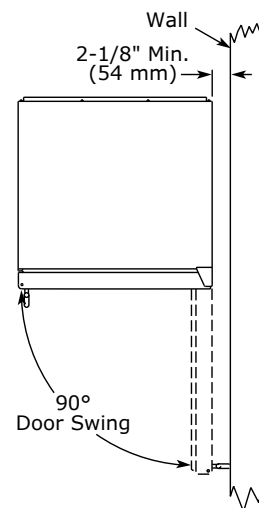
1. Disconnect power to the unit.
2. Loosen the two screws (1).
3. Remove grille (2) from unit.

#### Installing the grille

1. Align cabinet and grille holes and secure, but do not over tighten grille screws (1).
2. Reconnect power to the unit.



## Door Swing



Stainless Steel, Black and White

Units have a zero clearance for the door to open 90°, when installed adjacent to cabinets.

Stainless steel models require 2-1/8" (54 mm) door clearance to accommodate the handle if installed next to a wall.

# Installation

## Door Adjustments

### DOOR ALIGNMENT AND ADJUSTMENT

Align and adjust the door if it is not level or not sealing properly. If the door is not sealed, the unit may not cool properly, or excessive frost or condensation may form in the interior.

### NOTICE

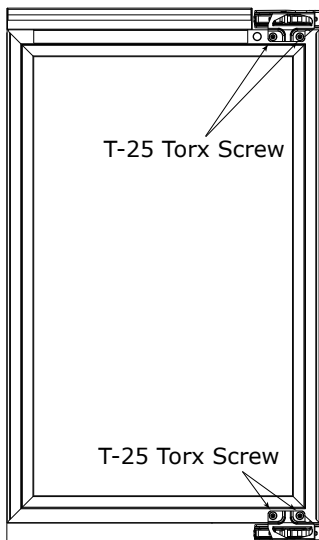
Properly aligned, the door's gasket should be firmly in contact with the cabinet all the way around the door (no gaps). Carefully examine the door's gasket to ensure that it is firmly in contact with the cabinet. Also make sure the door gasket is not pinched on the hinge side of the door.



Do not attempt to use the door to raise or pivot your unit. This would put excessive stress on the hinge system.

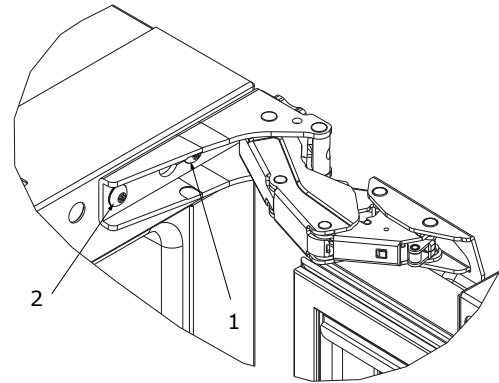
### Alignment and Adjustment Procedure

1. Open door and remove gasket near the hinges.
2. Using a T-25 Torx bit, loosen each pair of Torx head screws both the upper and lower hinge plates.
3. Square and align door as necessary.
4. Tighten Torx head screws on hinge.
5. Reinstall gasket into the channel starting at the corner.



### REVERSING THE DOOR

1. Open door.
2. Using T-25 Torx bit loosen screw #1 and remove screw #2 on top and bottom hinge. Slide and remove the door from the unit.



**Note:** One hinge includes a metal spacer. Spacer must be used with that hinge when reversing the door.

3. Remove caps from screw heads on opposite side (2 on top and 2 on bottom). Using #2 Phillips bit, remove the 4 underlying screws. Reinstall the screws and caps on the opposite side.
4. Partially install screw #1 in the outer most holes on top and bottom. Rotate door 180o, align hinge over screw #1 and slide/seat into position. Reinstall screw #2 on top and bottom. Tighten both screws and install hinge cover.



### Align and adjust the door:

Align and adjust the door (see DOOR ALIGNMENT AND ADJUSTMENT).



# Operating Instructions

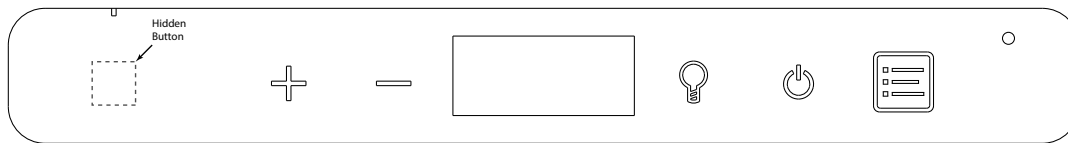
## First Use

Initial startup requires no adjustments. When plugged in, the unit will begin operating under the factory default settings. If the unit was turned off during installation, simply press  and the unit will immediately switch on. To turn the unit off, press .


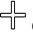
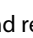
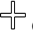
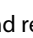

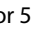


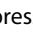





**NOTICE: Temperature displayed reflects actual temperature inside unit.**

If the temperature displayed is different than selected, the unit is progressing towards the selected temperature. Time to reach set point varies based upon ambient temperature, temperature of product loaded, door openings, etc. Viking recommends allowing the unit to reach set points before loading.

## Control Operation




### CONTROL FUNCTION GUIDE

FUNCTION	COMMAND	NOTES												
ON/OFF	Press  and release	Unit will immediately turn On or OFF												
Adjust Temperature	Press  or  and release	When the display is flashing, press  or  to adjust the set point temperature. Note: temperature displayed is the actual temperature inside unit												
Toggle between °F / °C	Hold  and  for 5 seconds	The display will change units												
Leave interior light on	Press  and release to leave interior light on for 12 hours; press again to deactivate	After 12 hours, factory default is restored; light will turn on when door is open												
Hide Display	Hold hidden button and press 	Display will turn off when door is closed. Unit will continue to operate. Repeat command to turn on display												
Adjust light color	While holding  press and release  to scroll through lighting options	<table border="1"> <thead> <tr> <th>Option</th> <th>Open Door</th> <th>Closed Door</th> </tr> </thead> <tbody> <tr> <td>00</td> <td>White</td> <td>White</td> </tr> <tr> <td>01</td> <td>Blue</td> <td>Blue</td> </tr> <tr> <td>02</td> <td>White</td> <td>Blue</td> </tr> </tbody> </table> <p>Light will be set at full intensity when door is open, and 50% intensity when door is closed.</p>	Option	Open Door	Closed Door	00	White	White	01	Blue	Blue	02	White	Blue
Option	Open Door	Closed Door												
00	White	White												
01	Blue	Blue												
02	White	Blue												
Enable Sabbath Mode	Press  and hold for 5 seconds and release	The °F / °C symbol will flash briefly after 5 seconds. Interior light and display will go dark and remain so until user resets mode - unit continues to operate												
Disable Sabbath Mode	Press  and release	Display and interior light return to normal operation												
Showroom Mode	Hold  and  for 5 seconds	The °F / °C symbol will flash. Display will be lit and interior light will function. Unit will not cool. Repeat command to return to normal operation												

### DOOR ALERT NOTIFICATION

When the door is left open for more than 5 minutes:

This unit is Star-K certified. See [www.star-k.org](http://www.star-k.org) for more details.

- A tone will sound for several seconds every minute
-  will appear in display
- Closed door to silence alert and reset

# Operating Instructions

## Airflow and Product Loading

### AIRFLOW

#### External

- Do not block the front grille - no additional clearance around sides, top or rear of unit is needed for ventilation
- Do not install behind a closed door

#### Internal

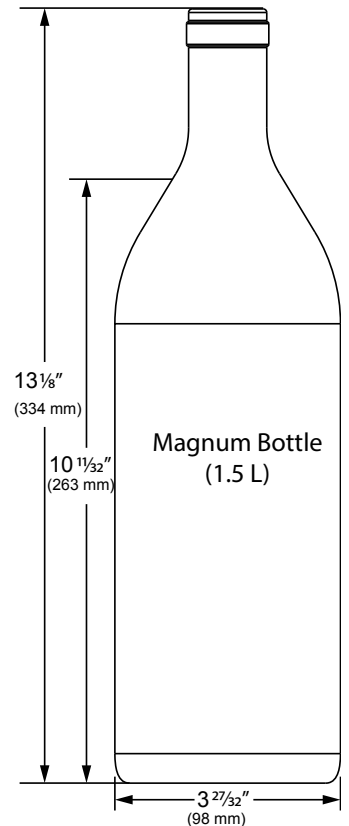
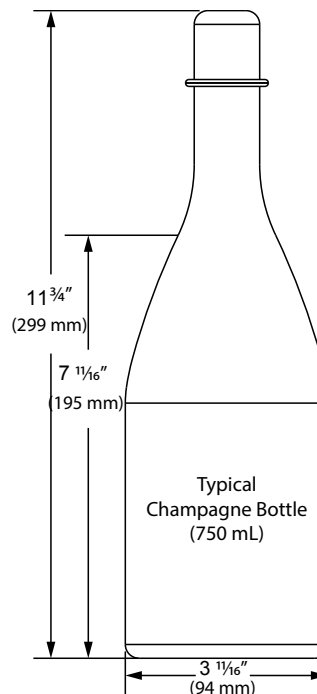
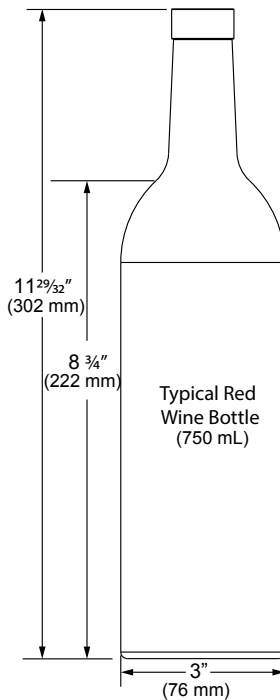
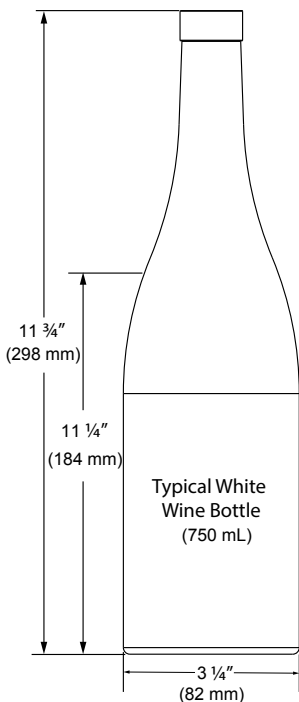
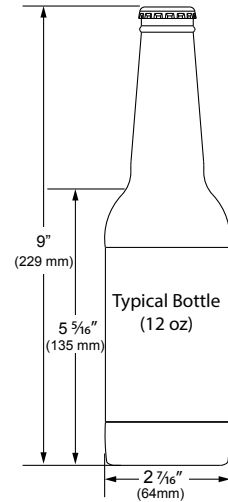
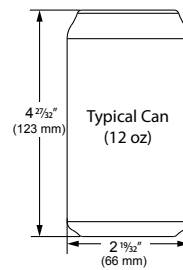
- When loading, leave space between internal fans, vents, and side walls to allow air to circulate freely

### PRODUCT LOADING

Bottles and cans come in all shapes and sizes. When determining capacities, refer to the following sizes. Combinations of red and white bottles are used in Wine Cellars and Beverage Centers.

### NOTICE

Restricting airflow may result in poor product performance, product failure, and uneven internal temperatures and may freeze contents.



# Operating Instructions

## Interior Adjustments

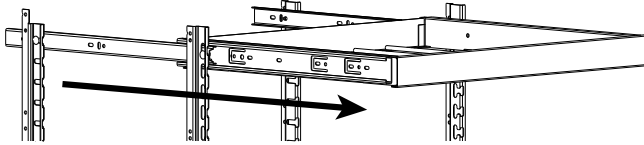
All 5 Series models feature side mounted rack supports with 19 adjustment positions.

All wine cellars ship with 7 racks designed to hold the maximum number of typical white and red wine bottles. Remove and reposition as desired to accommodate a variety of bottle sizes and shapes

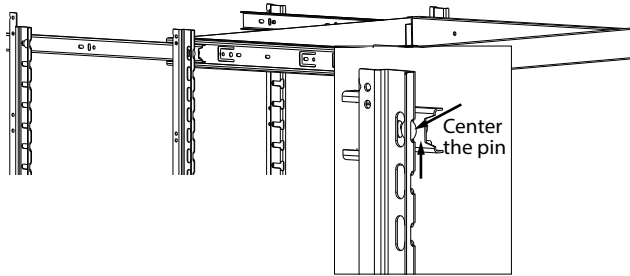
### WINE RACK ADJUSTMENT

#### Wine Rack Removal

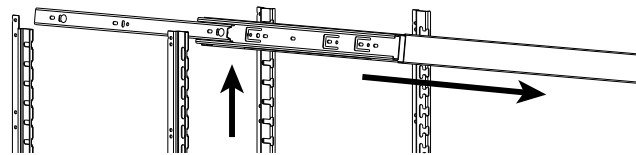
1. Fully extend empty rack



2. Firmly grasp both sides of rack and lift front end of rack slightly (about 1/4") to center the pin in the slot



3. Pull rack towards you until all pins are clear of the slots. If only repositioning the rack, do not remove completely - go to "Rack Installation" Step 2.
4. Slightly tilt one side. Gently pull rack towards you to remove rack from unit.



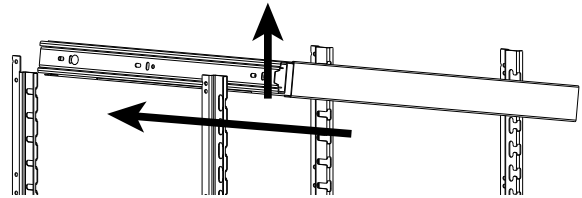
Note: Take care when removing rack to avoid scratching interior of unit.

5. Once removed, retract the slides.

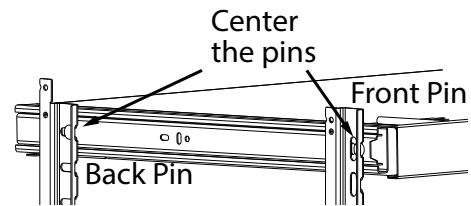
Note: The slides on the rack have a thin coating which is used to block moisture and provide lubrication. Use care when handling.

### Wine Rack Installation

1. Insert empty rack into unit with one side tilted slightly downward until back pin is between front and rear rail supports.



2. Tilt rack back to horizontal and line up 2 back pins with back slots.



3. Line up 2 back pins with 2 back slots and 2 front pins with 2 front slots.
4. Continue inserting rack until all four pins are fully inserted. Front of rack will set down slightly into the front slots and be locked into position.

## Operating Instructions

### Wine Storage Options

#### WINE RACK BOTTLE POSITION

Specially designed horizontal wine racks properly position the bottles so the wine remains in contact with the cork, which ensures the cork does not become dry.

Racks are designed to accommodate typical 750ml wine bottles as follows:

#### VUWC515 15" Wine Cellar Models

4 Bottles



#### VUWC524 24" Wine Cellar Models

7 Bottles



# Operating Instructions

## Wine Guide

### LOOKING BEHIND THE LABEL

To most, wine is a delicious mystery. We purchase it, uncork it, and savor its taste and beauty. But there is so much more to true wine appreciation. Many secrets are simply too good to keep bottled up.

### WINE SELECTIONS SUGGESTIONS

Selecting the right wine for the right occasion can sometimes be a seemingly awkward or difficult task for the beginning wine enthusiast. We would therefore like to present you with a few suggestions which may provide a little more confidence and enjoyment when choosing and serving your wines.

When selecting wines, keep an open mind and do not be afraid to be adventurous. Do not view the subject of wine so seriously it discourages you from learning and discovering for fear of embarrassment if something is incorrect. Wine is best viewed as a hobby and enjoyed.

When assembling your collection, try not to become obsessed with "Vintages." Although a chart can be a useful tool, generalizations about a specific year have led more than one collector to disappointment. Often an "Off Year" will provide a better value and more drinking enjoyment.

The primary guideline to the subject of wine is your own palate. Do not be afraid to make mistakes. Experiment, discover, but most of all, enjoy yourself and your new product.

## Guide To Common Styles Of Wine

Red Wines		
Full-Bodied Dry	California French Italian	Zinfandel, Cabernet Rhone, Chateauf-neuf-du-Pape Barbaresco, Barolo
Medium-Bodied Dry	California French	Pinot Noir Bordeaux, Burgundy
Light-Bodied Dry	French Italian	Beaujolais Chianti, Bardolino
White Wines		
Full-Bodied Dry	California French	Chardonnay Montrachet, Meursault Puligny- Montrachet
Medium-Bodied Dry	California French	Sauvignon-Blanc Pouilly-Fuisse, Sancerre, Vouvray, Graves
Light-Bodied, Dry	French	Chablis, Muscadet, Pouilly-Fume
Full-Bodied, Very Sweet	Germany French Hungary	Beerenauslese Sauternes Tokay
Medium-Bodied, Semi-Sweet	California Germany	Gewurtztraminer Liebfraumilch
Light-Bodied Off Dry	Germany	Rhine, Mosel Riesling

### Matching Food and Wine

Although there are no hard fast rules for matching wine to food, observe some guidelines. Delicate dishes should be accompanied by lighter more delicate wines. Full-flavored foods should be matched with fuller-bodied wines.

As a general rule, one should aim to ascend in flavor and quality of wines served.

Serve a:	Before a:
DRY wine	SWEET wine
WHITE wine	RED wine
YOUNG wine	OLD wine
LIGHT-BODIED wine	FULL-BODIED wine

Any step back in quality will be noticed. If a fine wine is tasted prior to a lesser wine, many of the fine wine's subtle qualities may be missed.

# Operating Instructions

## Common Food and Wine Matches

Foods	Wines
Fish, Shell Fish, Crab, Oysters	Dry White Wines, Light Sparkling or Extra Dry Champagne
Beef, Venison	Full-Bodied Red Wines
Pork, Veal, Lamb and Poultry	Light-Bodied Red Wines
Fruit	Sweet White and Sparkling Wines

## A Toast to Wine Truths

Like the grapes themselves, many wine myths have been cultivated over the centuries.

**Myth 1:** Most wines taste better when aged.

**Truth:** In fact, less than 5% of wines produced today are meant to be aged. Most wines are crafted to be consumed within the first one to two years.

**Myth 2:** Wines should be uncorked and decanted allowing them to "breathe."

**Truth:** To breathe or not breathe? While it is better to allow a young tannic Red to breathe in a glass or decanter to soften the tannins, an old Red reaches a stage in its life where it should be enjoyed soon after opening. Allow an old Red to breathe for a short time to dissipate any off odors. Most white wines can be served, ideally, 10-15 minutes after opening.

**Myth 3:** When age worthy wines peak, they must be consumed almost immediately.

**Truth:** Most great wines reach a plateau period rather than a peak. Great Bordeaux's may have as much as a 10-year plateau before fading.

**Myth 4:** Wine color does not change with aging.

**Truth:** As red wines age they get lighter in color while whites get darker.

## The Cork: A Mystery on Its Own

Cork Presentation. The ritual of the presentation of the cork has a rich and fascinating history dating back to the late 1800's. A phylloxera (root louse) devastation to the vineyards severely limited the supply of great wines. Restaurateurs would remove labels on inferior wines and replace them with labels from superior wines. This made it necessary for patrons to protect themselves by checking the branding on the cork to ensure that what they ordered was, in fact, what they were served.

When presented with a cork today, feel it to check for its integrity, read and match the branding on the cork to the bottle and set it aside. There is little to be learned from the cork. The proof is in the wine.

"Corked" wines. If you've ever had a wine that smelled or tasted of mold, you've experienced a wine that may have been "corked." Today, between five and eight percent of wines are tainted with Trichloroanisole (TCA). This substance, found naturally in plants and trees, is imparted to the wine through the cork. Corked wines are a major concern for winemakers as it destroys millions of cases per year and puts reputations at stake. Amazing as it may seem, twist-off caps may offer a better alternative; many great wineries in California, Australia and New Zealand are pioneering the trend.

# Operating Instructions

## Common Tasting Terms

Terminology	Description
Acidity	A critical element of wine that is responsible for preserving the wine's freshness. Excess acidity results in an overly tart and sour wine.
Balance	A desired trait where tannin, fruit and acidity are in total harmony. Wines with good balance tend to age gracefully.
Body	The weight and presence of wine in the mouth provided by the alcohol and tannin level. Full-bodied wines tend to have this strong concentration.
Bouquet	The blending of a wine's aroma within the bottle over a period of time, caused by volatile acidity.
Complex	A subjective term often used in tasting. A wine is said to be complex if it offers a variety of flavors and scents that continue to evolve as it develops.
Flabby	A wine that lacks structure, or is heavy to the taste, lacks acidity.
Full-Bodied	Wine high in alcohol and extract, generally speaking, fills the mouth, powerful.
Lean	Generally describes wines that are slim, lacking of generosity or thin.
Oaky	A desirable flavor imparted to wine if done in moderation. Most wines are aged in oak barrels one to three years, thereby receiving this toasty oak characteristic. However, if a weak wine is left in contact too long with an oak barrel, it will tend to be overpowered with an oaky taste.
Tannin	Tannins are extracted from the grape skins and stems and are necessary for a well-balanced red wine. Tannins are easily identified in wine tasting as the drying sensation over the gums. Tannins generally fade as a wine ages.

## IDEAL WINE STORAGE CONSIDERATIONS

**Temperature:** The most important element about storage temperature is stability. If wine is kept in a stable environment between 40°F (7°C) and 65°F (21°C), it will remain sound. A small 1-2 degree temperature fluctuation within a stable environment is acceptable. Larger temperature fluctuations can affect the cork's ability to seal, allowing the wine to "leak" from the bottle.

**Humidity:** The traditional view on humidity maintains that wines should be stored on their sides in 50% - 80% relative humidity to ensure cork moisture and proper fit in the bottle. Contemporary wisdom suggests that the cork surface is too small to be impacted by humidity. Further, the cork is sealed with a metal or wax capsule making humidity penetration impossible. The concept of a humid storage environment was derived from the necessity of wineries to maintain moisture in their cellars to keep wooden barrel staves swollen, preventing wine evaporation and product loss. In fact, vineyards estimate as much as a 10% product loss per year due to evaporation while wine is aging in the wooden barrels. Humidity, however, was not intended for the modern cellar where wine is stored in glass bottles with sealed corks.

**Light:** UV rays are not only harmful to people, they are damaging to wines - especially those in clear bottles. Since oxygen molecules in wine absorb UV rays, wine should never be stored in direct light for long periods of time.

**Vibration:** Provided that sediment is left undistributed and particles are not suspended, vibration in a storage environment is not an issue. Wines can become flat or tired when voids and vacuums are created inside the wine bottle. In order to create voids and vacuums within a liquid, aggressive motion or shaking of the wine bottle would have to occur.

Temperature	Wines
Approximately 60°F (15°C)	Red
50°F - 55°F (10°C - 12°C)	White
Approximately 45°F (7°C)	Sparkling

# Maintenance

## Cleaning

### Stainless Models

Stainless door panels, handles and frames can discolor when exposed to chlorine gas, pool chemicals, saltwater or cleaners with bleach.

Keep your stainless unit looking new by cleaning with a good quality all-in-one stainless steel cleaner and polish monthly. For best results use Claire® Stainless Steel Polish and Cleaner. Comparable products are acceptable. Frequent cleaning will remove surface contamination that could lead to rust. Some installations may require cleaning weekly.

**Do not clean with steel wool pads.**

**Do not use stainless steel cleaners or polishes on any glass surfaces.**

Clean any glass surfaces with a non-chlorine glass cleaner.

**Do not use cleaners not specifically intended for stainless steel on stainless steel surfaces (this includes glass, tile, and counter cleaners).**

If any surface discoloring or rusting appears, clean it quickly with Bon-Ami® or Barkeepers Friend Cleanser® and a nonabrasive cloth. Always clean with the grain. Always finish with Claire® Stainless Steel Polish and Cleaner or comparable product to prevent further problems.

**Using abrasive pads such as ScotchBrite™ will cause the graining in the stainless steel to become blurred.**

**Rust not cleaned up promptly can penetrate the surface of the stainless steel and complete removal of the rust may not be possible.**

### Integrated Models

To clean integrated panels, use household cleaner per the cabinet manufacturer's recommendations.

## INTERIOR CLEANING

Disconnect power to the unit.

Clean the interior and all removed components using a mild nonabrasive detergent and warm solution applied with a soft sponge or non-abrasive cloth.

Rinse the interior using a soft sponge and clean water.

**Do not use any solvent-based or abrasive cleaners.** These types of cleaners may transfer taste and/or odor to the interior products and damage or discolor the interior.

## DEFROSTING

Under normal conditions this unit does not require manual defrosting. Minor frost on the rear wall or visible through the evaporator plate vents is normal and will melt during each cycle.

If there is excessive build-up of 1/4" (6 mm) or more, manually defrost the unit.

Ensure the door is closing and sealing properly.

High ambient temperature and excessive humidity can also produce frost.



**DO NOT use an ice pick or other sharp instrument to help speed up defrosting. These instruments can puncture the inner lining or damage the cooling unit. DO NOT use any type of heater to defrost. Using a heater to speed up defrosting can cause personal injury and damage to the inner lining.**

## NOTICE

**The drain pan was not designed to capture the water created when manually defrosting. To prevent water from overflowing the drain pan and possibly damaging water sensitive flooring, the unit must be removed from cabinetry.**

### To defrost:

1. Disconnect power to the unit.
2. Remove all products from the interior
3. Prop the door in an open position (2 in. [50 mm] minimum).
4. Allow the frost to melt naturally.
5. After the frost melts completely, clean the interior and all removed components. (See INTERIOR CLEANING).
6. When the interior is dry, reconnect power and turn unit on.



# Maintenance

## Cleaning Condenser

### INTERVAL - EVERY SIX MONTHS

To maintain operational efficiency, keep the front grille free of dust and lint, and clean the condenser when necessary. Depending on environmental conditions, more or less frequent cleaning may be necessary.

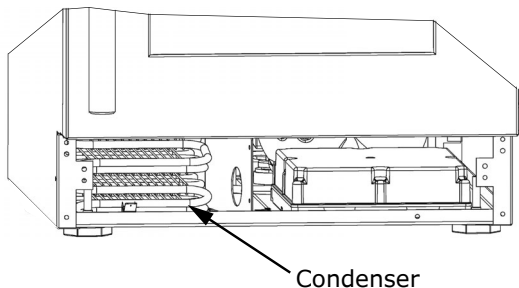


**Disconnect electric power to the unit before cleaning the condenser.**

### NOTICE

**DO NOT use any type of cleaner on the condenser unit. Condenser may be cleaned using a vacuum, soft brush, or compressed air.**

1. Remove the grille. See GRILLE INSTALLATION).
2. Clean the condenser coil using a soft brush or vacuum cleaner.
3. Install the grille.



## Extended Non-Use

### VACATION/HOLIDAY, PROLONGED SHUTDOWN

The following steps are recommended for periods of extended non-use:

1. Remove all consumable content from the unit.
2. Disconnect the power cord from its outlet/socket and leave it disconnected until the unit is returned to service.
3. If any ice is visible inside the unit, allow ice to thaw naturally.
4. Clean and dry the interior of the unit. Ensure all water has been removed from the unit.
5. The door must remain open to prevent formation of mold and mildew. Open door a minimum of 2" (50 mm) to provide the necessary ventilation.

## WINTERIZATION

If the unit will be exposed to temperatures of 40°F (5°C) or less, the steps above must be followed.

For questions regarding winterization, please call Viking Preferred Service at (888) 845-4641.



Damage caused by freezing temperatures is not covered by the warranty.

## Troubleshooting

### BEFORE CALLING FOR SERVICE

If you think your product is malfunctioning, read the CONTROL OPERATION section to clearly understand the function of the control.

If the problem persists, read the NORMAL OPERATING SOUNDS and TROUBLESHOOTING GUIDE sections below to help you quickly identify common problems and possible causes and remedies. Most often, this will resolve the problem without the need to call for service.

### IF SERVICE IS REQUIRED

If you do not understand a troubleshooting remedy, or your product needs service, contact Viking Preferred Service directly at (888) 845-4641.

When you call, you will need your product Model and Serial Numbers. This information appears on the Model and Serial number plate located on the upper right or rear wall of the interior of your product.

### NORMAL OPERATING SOUNDS

All models incorporate rigid foam insulated cabinets to provide high thermal efficiency and maximum sound reduction for its internal working components. Despite this technology, your model may make sounds that are unfamiliar.

Normal operating sounds may be more noticeable because of the unit's environment. Hard surfaces such as cabinets, wood, vinyl or tiled floors and paneled walls have a tendency to reflect normal appliance operating noises.

## Maintenance

Listed below are common refrigeration components with a brief description of the normal operating sounds they make. NOTE: Your product may not contain all the components listed.

- Compressor: The compressor makes a hum or pulsing sound that may be heard when it operates.
- Evaporator: Refrigerant flowing through an evaporator may sound like boiling liquid.
- Condenser Fan: Air moving through a condenser may be heard.
- Automatic Defrost Drain Pan: Water may be heard dripping or running into the drain pan when the unit is in the defrost cycle.

### TROUBLESHOOTING GUIDE

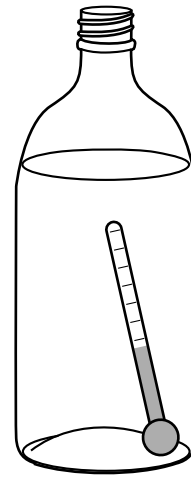
#### DANGER

**ELECTROCUTION HAZARD.** Never attempt to repair or perform maintenance on the unit before disconnecting the main electrical power.

Troubleshooting - What to check when problems occur:

Problem	Possible Cause and Remedy
Interior Light Does Not Illuminate	If the unit is cooling, it may be in Sabbath mode.
Light Remains on When Door Is Closed.	Turn off light switch if equipped. Adjust light actuator bracket on bottom of door.
Unit Develops Frost on Internal Surfaces.	Ensure the door is closing and sealing properly.
Unit Develops Condensation on External Surfaces.	The unit is exposed to excessive humidity. Moisture will dissipate as humidity levels decrease.
Product is Not Cold Enough	Air temperature does not indicate product temperature. See CHECKING PRODUCT TEMPERATURE below. Adjust the temperature to a cooler set point. Ensure unit is not located in excessive ambient temperatures or in direct sunlight. Ensure the door is closing and sealing properly. Ensure the interior light has not remained on too long. Ensure nothing is blocking the front grille, found at the bottom of the unit. Ensure the condenser coil is clean and free of any dirt or lint build-up.

### CHECKING PRODUCT TEMPERATURE



To check the actual product temperature in the unit:

1. Partially fill a plastic (nonbreakable) bottle with water.
2. Insert an accurate thermometer.
3. Tighten the bottle cap securely.
4. Place the bottle in the desired area for 24 hours.
5. Avoid opening the unit during the testing period.
6. After 24 hours, check the temperature of the water. If required, adjust the temperature control in a small increment (see CONTROL OPERATION).

**Causes which affect the internal temperatures of the cabinet include:**

- Temperature setting.
- Ambient temperature where installed.
- Installation in direct sunlight or near a heat source.
- The number of door openings and the time the door is open.
- The time the interior light is illuminated. (This mainly affects product on the top rack or shelf.)
- Obstruction of front grille or condenser.

## Service Information

If service is required, call your authorized service agency.

Have the following information readily available:

- Model number
- Serial number
- Date purchased
- Name of dealer from whom purchased

Clearly describe the problem that you are having. If you are unable to obtain the name of an authorized service agency, or if you continue to have service problems, contact Viking Range, LLC at (888) 845-4641 or write to:

**VIKING RANGE, LLC  
PREFERRED SERVICE  
111 Front Street  
Greenwood, Mississippi 38930 USA**

Record the information indicated below. You will need it if service is ever required. The serial number and model numbers for your wine cellare are located on the upper wall, behind the lighting:

Model No. \_\_\_\_\_

Serial No. \_\_\_\_\_

Date of Purchase \_\_\_\_\_

Date Installed \_\_\_\_\_

Dealer's Name \_\_\_\_\_

Address \_\_\_\_\_

\_\_\_\_\_

If service requires installation of parts, use only authorized parts to insure protection under the warranty.

**Keep this manual for future reference.**

## UNDERCOUNTER WINE CELLAR WARRANTY

### TWO YEAR FULL WARRANTY

Undercounter Wine Cellars and all of their component parts, except as detailed below\*†, are warranted to be free from defective materials or workmanship in normal residential use for a period of two (2) years from the date of original retail purchase. Viking Range, LLC, warrantor, agrees to repair or replace, at its option, any part which fails or is found to be defective during the warranty period.

\*FULL NINETY (90) DAY COSMETIC WARRANTY: Product is warranted to be free from cosmetic defects in materials or workmanship (such as scratches on stainless steel, paint/porcelain blemishes, etc.) for a period of ninety (90) days from the date of original retail purchase or closing date for new construction, whichever period is longer. Any defects must be reported to the selling dealer within ninety (90) days from date of original retail purchase. Viking Range, LLC uses high quality processes and materials available to produce all color finishes. However, slight color variation may be noticed because of the inherent differences in painted parts and porcelain parts as well as differences in kitchen lighting, product locations, and other factors. Therefore, this warranty does not apply to color variation attributable to such factors.

†FULL NINETY (90) DAY WARRANTY IN "RESIDENTIAL PLUS" APPLICATIONS: This full warranty applies to applications where use of the product extends beyond normal residential use, but the warranty period for products used in such applications is ninety (90) days. Examples of applications covered by this warranty are bed and breakfasts, fire stations, private clubs, churches, etc. Under this "Residential Plus" warranty, the product, its components and accessories are warranted to be free from defective material or workmanship for a period of ninety (90) days from the date of original retail purchase. This warranty excludes use of the product in all commercial locations such as restaurants, food service locations and institutional food service locations.

### SIX YEAR FULL WARRANTY ON SEALED REFRIGERATION PARTS AS LISTED

Any sealed refrigeration system component, as listed below, is warranted to be free from defective materials or workmanship in normal household use during the third through the sixth year from the date of original retail purchase. Viking Range, LLC, warrantor, agrees to repair or replace, at its option, any part which fails or is found to be defective during the warranty period.

Sealed Refrigeration System Components: Compressor, Evaporator, Condenser, Connecting Tubing, Dryer/Strainer

### TWELVE YEAR LIMITED WARRANTY ON SEALED REFRIGERATION PARTS AS LISTED

Any sealed refrigeration system component, as listed above, which fails due to defective materials or workmanship in normal household use during the seventh through the twelfth year from the date of original retail purchase will be repaired or replaced, free of charge for the part itself, with the owner paying all other costs, including labor.

### TERMS AND CONDITIONS

This warranty extends to the original purchaser of the product warranted hereunder and to each transferee owner of the product during the term of the warranty and applies to products purchased and located in the United States, Canada, Mexico and the Caribbean (excluding Cuba, Dominican Republic, and Haiti). Products must be purchased in the country where service is requested. If the product or one of its component parts contains a defect or malfunction during the full warranty period after a reasonable number of attempts by the warrantor to remedy the defect or malfunction, the owner is entitled to either a refund or replacement of the product or its component part or parts. Replacement of a component part includes its free installation, except as specified under the limited warranty. Under the terms of this warranty, service must be performed by a factory authorized Viking Range, LLC service agent or representative. Service will be provided during normal business hours, and labor performed at overtime or premium rates shall not be covered by this warranty.

Owner shall be responsible for proper installation, providing reasonable and necessary maintenance, providing proof of purchase upon request, and making the appliance reasonably accessible for service. The return of the Owner Registration Card is not a condition of warranty coverage. You should, however, return the Owner Registration Card so that Viking Range, LLC can contact you should any question of safety arise which could affect you.

This warranty gives you specific legal rights, and you may also have other rights which may vary from jurisdiction to jurisdiction.

WHAT IS NOT COVERED BY THIS WARRANTY: This warranty shall not apply to damage resulting from abuse, failure to provide reasonable and necessary maintenance, accident, delivery, negligence, natural disaster, loss of electrical power to the product for any reason, alteration, outdoor use, improper installation, improper operation, or repair or service of the product by anyone other than an authorized Viking Range, LLC service agency or representative. This warranty does not apply to commercial usage.

### LIMITATION OF REMEDIES AND DURATION OF IMPLIED WARRANTY

OWNER'S SOLE AND EXCLUSIVE REMEDY FOR A CLAIM OF ANY KIND WITH RESPECT TO THIS PRODUCT SHALL BE THE REMEDIES SET FORTH ABOVE. VIKING RANGE, LLC IS NOT RESPONSIBLE FOR CONSEQUENTIAL OR INCIDENTAL DAMAGE, INCLUDING BUT NOT LIMITED TO FOOD OR MEDICINE LOSS, DUE TO PRODUCT FAILURE, WHETHER ARISING OUT OF BREACH OF WARRANTY, BREACH OF CONTRACT OR OTHERWISE. Some jurisdictions do not allow the exclusion or limitation of incidental or consequential damages, so the above limitation or exclusions may not apply to you. ANY IMPLIED WARRANTIES OF MERCHANTABILITY OR FITNESS FOR A PARTICULAR PURPOSE APPLICABLE TO THIS PRODUCT ARE LIMITED IN DURATION TO THE PERIOD OF COVERAGE OF THE APPLICABLE EXPRESS WRITTEN LIMITED WARRANTIES SET FORTH ABOVE. Some states do not allow limitations on how long an implied warranty lasts, so the above limitation may not apply to you.

### WARRANTY SERVICE

To obtain warranty service, contact an authorized Viking Range, LLC service agent, or Viking Range, LLC, 111 Front Street, Greenwood, Mississippi 38930, (888) 845-4641. Provide model and serial number and date of original purchase or closing date for a new construction. For the name of your nearest authorized Viking Range, LLC service agency, call Viking Range, LLC.

IMPORTANT: Retain proof of original purchase to establish warranty period.

Specifications subject to change without notice.

Viking Range, LLC  
111 Front Street  
Greenwood, Mississippi 38930 USA  
(662) 455-1200

For product information, call 1-888-(845-4641) or visit our web site at [vikingrange.com](http://vikingrange.com)

# MANUEL

## d'installation, d'utilisation et d'entretien



## SÉRIE 5

### Refroidisseur à vin encastrable

VUWC515G  
VUWC524G

---

## Félicitations

Nous espérons que vous apprécierez le soin et l'attention que nous avons apportés à chaque détail de votre refroidisseur à vin Viking.

Votre appareil est conçu pour vous offrir des années de service infaillible. Ce guide d'utilisation et d'entretien vous fournira toutes les informations nécessaires pour vous familiariser avec l'entretien et le fonctionnement de votre refroidisseur à vin. Pour de plus amples renseignements, visitez notre site Web à [vikingrange.com](http://vikingrange.com).

Votre totale satisfaction est notre objectif principal. Si vous avez des questions ou des remarques au sujet de ce produit, veuillez appeler notre Centre d'assistance à la clientèle au +1 888 845-4641.

Merci d'avoir choisi notre refroidisseur à vin. Nous espérons que vous sélectionnerez encore nos articles quand vous aurez besoin d'équipement. Pour de plus amples informations sur notre gamme complète et toujours plus grande de produits, rendez-nous visite en ligne sur [vikingrange.com](http://vikingrange.com).

## Table des matières

<b>Sécurité et mise en garde</b>	<b>3</b>
Mise au rebut et recyclage	3
Exigences environnementales	3
<b>Installation</b>	<b>4</b>
Dimensions de l'espace d'installation et du produit	4
Installation côte à côte	5
Support antibasculement	6
Mise à niveau	7
Installation de la grille	7
Basculement de porte	7
Ajustement de la porte	8
<b>Mode d'emploi</b>	<b>9</b>
Première utilisation	9
Fonctionnement des commandes	10
Débit d'air et chargement de produits	10
Ajustements intérieurs	11
Guide des vins	13
<b>Maintenance</b>	<b>16</b>
Nettoyage	16
Nettoyage du condenseur	17
Non-utilisation prolongée	17
Dépannage	17
<b>Entretien</b>	<b>19</b>
<b>Garantie</b>	<b>20</b>

## Sécurité et avertissement

### AVIS

Veillez lire toutes les instructions avant d'installer, d'utiliser ou d'entretenir l'appareil.

N'utilisez cet appareil que pour l'usage auquel il est destiné et suivez ces précautions générales ainsi que celles qui figurent dans ce guide :

### DÉFINITIONS DES ALERTES DE SÉCURITÉ

Tout au long de ce guide, des éléments de sécurité sont étiquetés avec les mentions Danger, Avertissement ou Attention en fonction du type de risque :

#### DANGER

Danger signifie que le non-respect de cette consigne de sécurité peut entraîner des blessures graves, voire mortelles.

#### AVERTISSEMENT

Avertissement signifie que le non-respect de cette consigne de sécurité peut entraîner des blessures graves, voire mortelles.

#### ATTENTION

Attention signifie que le non-respect de cette consigne de sécurité peut entraîner des blessures, des dommages matériels légers ou modérés.

#### DANGER

Cette unité contient du R600a (Isobutane), un hydrocarbure inflammable. Il est sans danger pour une utilisation régulière. Ne pas utiliser d'objets tranchants pour faciliter le dégivrage. Ne pas procéder à l'entretien sans consulter la section « Spécifications R600a » incluse dans le Guide de l'utilisateur. Ne pas endommager le circuit frigorifique.

#### AVERTISSEMENT

Tout entretien doit être effectué par un personnel de service autorisé par l'usine. Toutes les pièces doivent être remplacées par des composants similaires. Ne pas respecter cette consigne peut augmenter le risque potentiel d'inflammation dû à des pièces inadéquates ou à un mauvais entretien.

### PROPOSITION 65 DE CALIFORNIE

Ce produit contient des produits chimiques connus par l'État de Californie pour causer le cancer, des anomalies congénitales ou d'autres effets nuisibles sur la reproduction. [www.P65warnings.CA.gov](http://www.P65warnings.CA.gov)

#### ATTENTION

Cet équipement doit être installé avec une protection antirefoulement adéquate afin de se conformer aux codes fédéraux, provinciaux et locaux applicables.

### Mise au rebut et recyclage

#### DANGER

**RISQUE D'ÉTOUFFEMENT POUR LES ENFANTS. Avant de jeter votre vieux réfrigérateur ou congélateur, retirer les portes et laisser les tablettes en place de sorte que les enfants ne puissent pas y pénétrer facilement.**

Si l'appareil est enlevé pour être mis au rebut, vérifier et respecter toutes les réglementations fédérales, provinciales et locales concernant l'élimination et le recyclage des appareils de réfrigération, et suivre toutes les étapes décrites ci-après :

1. Retirer tous les produits consommables de l'appareil.
2. Débrancher le cordon électrique de sa prise.
3. Retirer la (les) porte(s)/ tiroir(s)

### Exigences environnementales

Ce modèle est conçu pour des utilisations intérieures seulement et ne doit pas être utilisé dans des installations ouvertes ou exposées à des éléments naturels.

Cet appareil est conçu pour fonctionner entre 10 °C (50 °F) et 38 °C (100 °F). Des températures ambiantes plus élevées peuvent réduire sa capacité à atteindre des températures basses et/ou réduire la production de glace sur les modèles applicables.

Pour une performance optimale, tenir l'appareil à l'abri de la lumière directe du soleil et à l'écart de tout équipement générateur de chaleur.

Dans les climats où l'humidité et les points de rosée sont élevés, une condensation peut apparaître sur les surfaces extérieures. Ce phénomène est considéré comme normal. La condensation s'évapore lorsque l'humidité baisse.

#### ATTENTION

**Les dommages causés par des températures ambiantes de 4 °C (40 °F) ou moins ne sont pas couverts par la garantie.**

# Installation

## Dimensions de l'espace d'installation et du produit DEVANT VUWC515

### PRÉPARER L'EMPLACEMENT

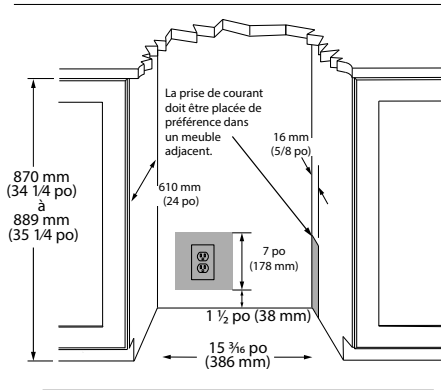
Cet appareil a été conçu pour une pose libre ou encastrable. Lorsqu'il est encastré, l'appareil n'a pas besoin d'espace d'air supplémentaire sur le dessus, les côtés ou l'arrière. Cependant, ne PAS obstruer la grille de base. Laisser un espace pour le raccordement électrique à l'arrière.



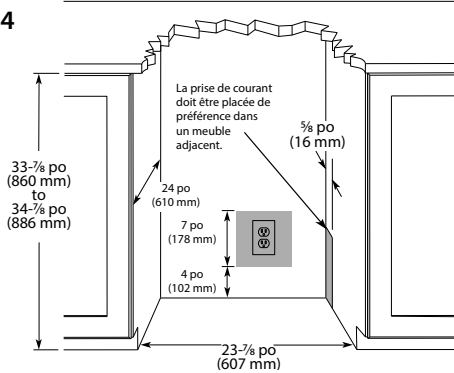
Ne PAS installer l'appareil derrière une porte d'armoire fermée.

### DIMENSION DE L'ESPACE D'INSTALLATION

#### VUWC515



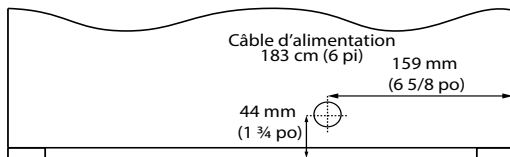
#### VUBV524



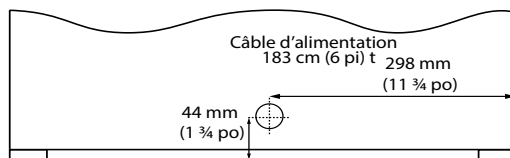
### DIMENSIONS DU PRODUIT

#### ARRIÈRE

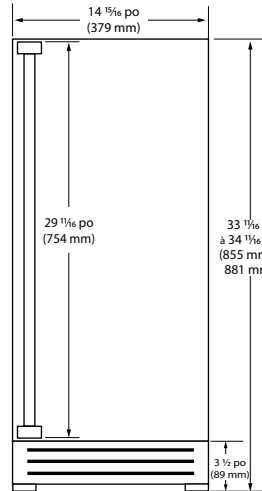
#### VUWC515



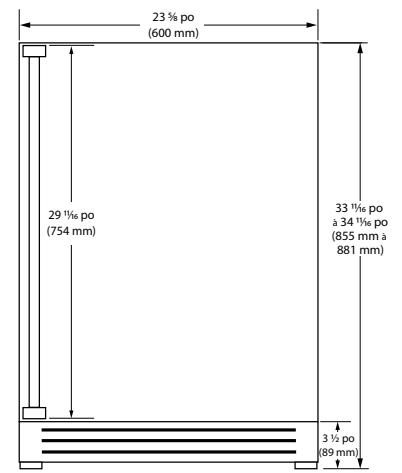
#### VUWC524



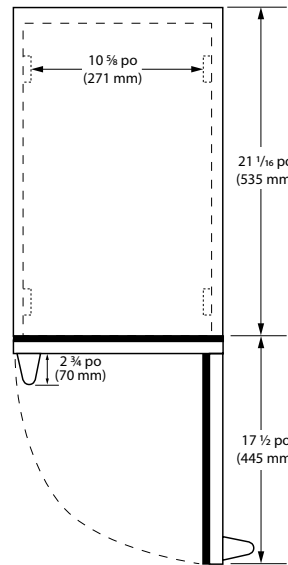
#### VUWC515



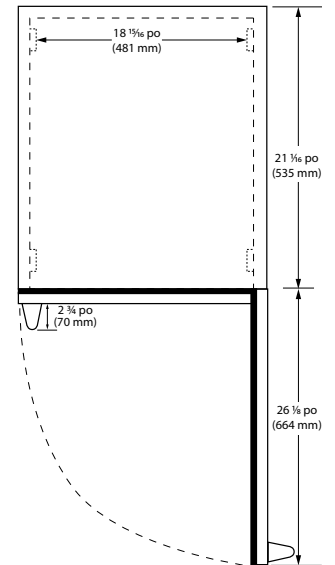
#### VUWC524



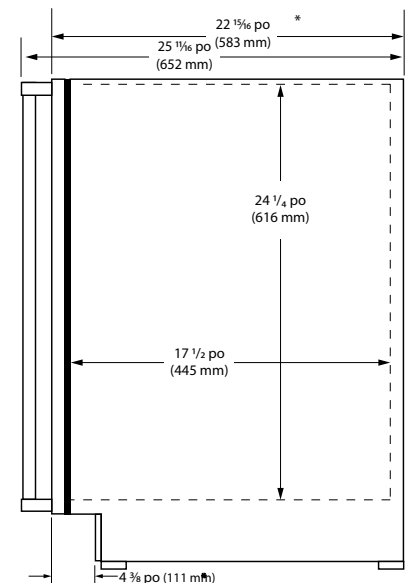
#### HAUT VUWC515



#### VUWC524



#### CÔTÉ



\*Ajouter 1/2 po pour les modèles intégrés avec le panneau de 3/4 po installés.



# Installation

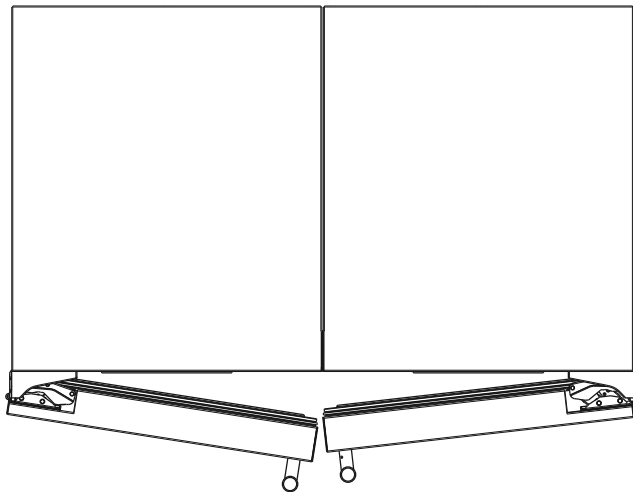
## Installation côte à côte

### AUTRES POINTS À CONSIDÉRER

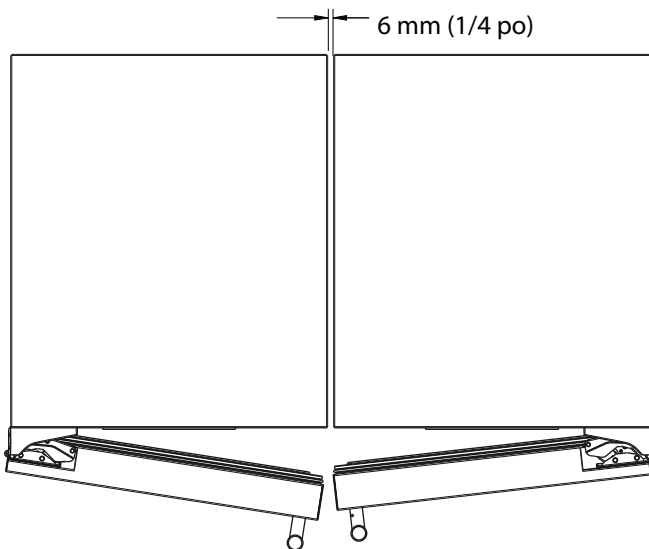
#### Installation côte à côte

Il est nécessaire d'utiliser un circuit électrique distinct, correctement mis à la terre et placé conformément aux spécifications électriques de chaque appareil.

La largeur de l'espace d'installation côte à côte est la somme des largeurs indiquées sous Dimensions de l'espace d'installation dans le Guide d'installation de chaque unité. Chaque porte peut être ouverte séparément (une à la fois) sans interférence.

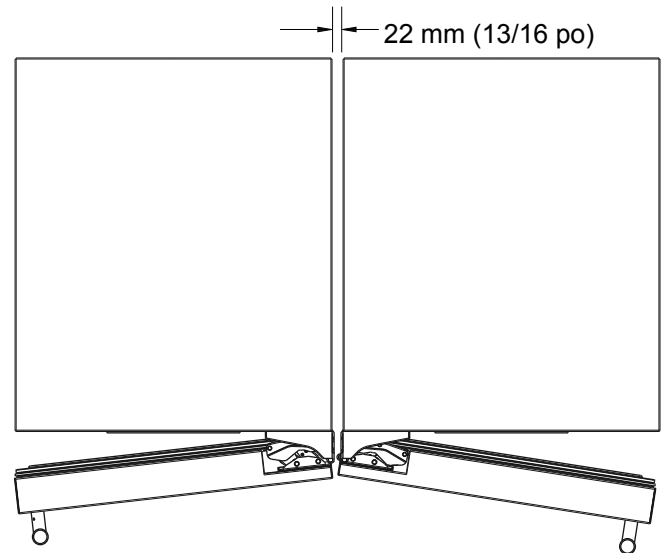


Cependant, pour assurer une ouverture dégagée de la porte (ouvrir les deux portes en même temps), un espace de 6,4 mm (1/4 po) doit être maintenu entre les appareils.

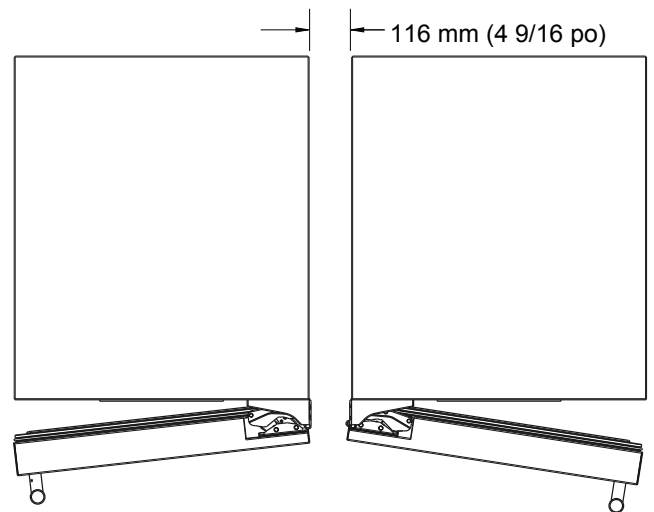


## Installation charnière à charnière (meneau)

En cas d'installation de deux unités charnière à charnière, il est nécessaire de prévoir 22 mm (13/16 po) pour les modèles intégrés. Un espace supplémentaire peut être nécessaire pour les boutons ou les poignées installés.



Les modèles en acier inoxydable munis d'une poignée standard en acier inoxydable auront besoin de 116 mm (4 9/16 po) pour que les deux portes puissent s'ouvrir à 90° en même temps.



# Installation

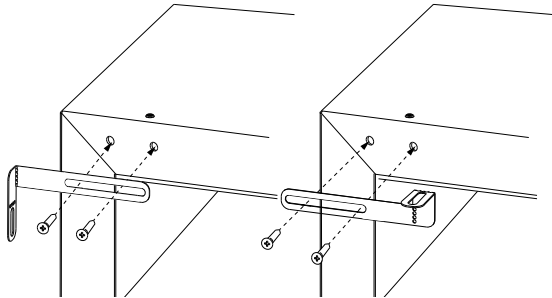
## Support antibasculement

Utiliser l'une des méthodes suivantes pour fixer l'appareil

### INSTALLATION ANTIBASCULEMENT DU MEUBLE/COMPTOIR

(Pour les installations encastrées)

1. Sortir l'unité en la faisant glisser de manière à ce que les vis à l'avant de l'unité soient facilement accessibles.
2. Retirer les deux vis à l'avant de l'unité.



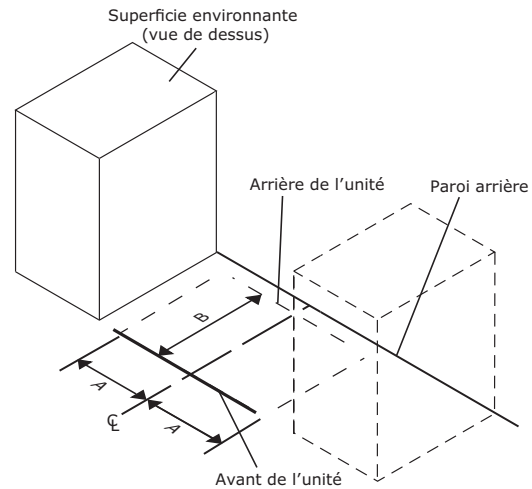
3. Plier le support le long d'une des perforations pour le fixer à la surface adjacente souhaitée.
4. Pousser doucement l'appareil vers la position désirée. Faire attention de ne pas emmêler le cordon électrique ou la conduite d'eau, le cas échéant.
5. Vérifier la mise à niveau, d'avant en arrière et d'un côté à l'autre. Effectuer les réglages nécessaires. La surface supérieure de l'unité doit se trouver à environ 3 mm ( $\frac{1}{8}$  po) sous le plan de travail.

6. Fixer le support à la surface adjacente.

### INSTALLATION ANTIBASCULEMENT SUR LE PLANCHER

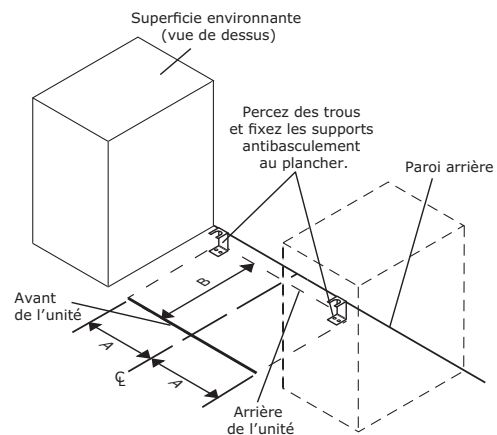
(Pour installations en pose libre)

1. Placer les deux supports antibasculement fournis avec le kit.
2. Placer l'appareil là où il sera installé. Vérifier que la porte, les parois latérales et le dessus sont bien ajustés. Vérifier également que la porte s'ouvre et se ferme librement.
3. Retirer la grille et marquer le sol à l'avant de l'appareil. Marquer également le sol au centre de l'appareil.
4. Retirer l'appareil. À l'aide d'une équerre, prolonger la ligne centrale « B » (voir le tableau ci-dessous). Cette ligne sert de bord arrière pour les supports antibasculement. À partir de la ligne centrale, mesurer « A » à gauche et à droite. Cette ligne est le bord extérieur de chaque support.



	515	524
A	194 mm (7 $\frac{5}{8}$ po)	303 mm (11 $\frac{15}{16}$ po)
B	558 mm (22 po)	558 mm (22 po)

5. Placez les supports antibasculement sur le plancher contre la ligne tracée pour le bord extérieur. Marquer les points pour les trous de vis.

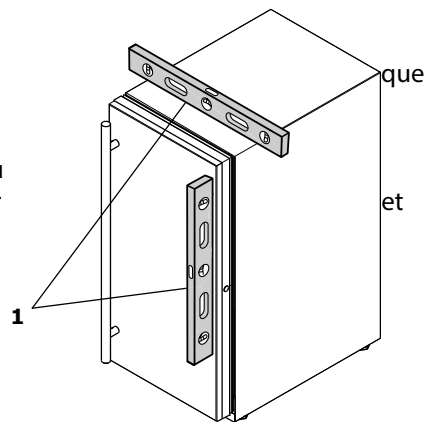


6. Utiliser une perceuse de 1/8 po pour faire deux trous et fixer les supports antibasculement au plancher à l'aide des vis fournies.
7. Remettre l'unité en place en s'assurant que les pieds et les supports antibasculement s'emboîtent bien. Vérifier l'alignement entre lignes tracées le sol à l'étape 3 et la position des pieds avant pour assurer un positionnement correct.

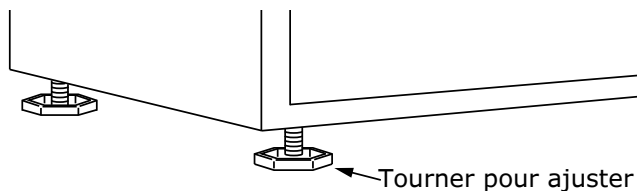
# Installation

## INFORMATIONS SUR LA MISE À NIVEAU

1. Utiliser un niveau pour confirmer l'appareil est horizontal. Positionner le niveau sur le bord supérieur sur le bord latéral, comme indiqué.



2. Si l'appareil n'est pas à niveau, ajuster la hauteur des pieds situés dans les angles de l'appareil si nécessaire.



3. Confirmer que l'appareil est bien à niveau après chaque ajustement et répéter les étapes précédentes au besoin.

## CONSEILS D'INSTALLATION

Si le plancher de la pièce est plus haut que le plancher de l'espace d'installation, ajuster la hauteur des pieds arrière pour obtenir une hauteur arrière totale unitaire de 3 mm ( $\frac{1}{8}$  po) inférieure à celle de l'ouverture arrière. Réduire la hauteur de l'appareil à l'avant en ajustant la hauteur des pieds avant. Ceci permet à l'appareil d'être délicatement incliné dans l'ouverture. Ajuster à nouveau la hauteur des pieds avant pour mettre l'appareil à niveau une fois qu'il est correctement positionné dans l'ouverture.

1. Brancher le cordon d'alimentation/électrique.
2. Pousser délicatement l'appareil dans la position désirée. Ne pas emmêler le cordon ou les conduites d'eau et des égouts, le cas échéant.
3. Révérer la mise à niveau, d'avant en arrière et d'un côté à l'autre. Effectuer les réglages nécessaires. La surface supérieure de l'unité doit se trouver à environ 3 mm ( $\frac{1}{8}$  po) sous le plan de travail.
4. Installer le support antibasculement.
5. Retirer l'emballage intérieur et essuyer l'intérieur de l'appareil avec un chiffon propre imbibé d'eau.

## Installation de la grille DÉMONTAGE ET INSTALLATION DE LA GRILLE

### ⚠ AVERTISSEMENT

Débrancher la source d'alimentation électrique de l'appareil avant de retirer la grille

Lorsque vous utilisez l'appareil, vérifier que la grille est installée.

### ⚠ AVERTISSEMENT

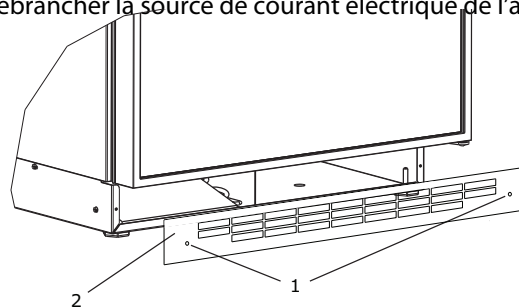
NE PAS toucher les ailettes du condenseur. Les ailettes du condenseur sont POINTUES et facilement endommageables.

Démonter la grille

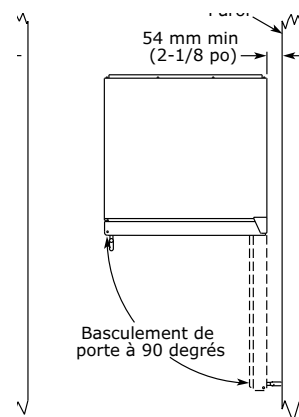
1. Débrancher la source de courant électrique de l'appareil.
2. Desserrer les deux vis (1).
3. Retirer la grille (2) de l'appareil.

Installation de la grille

1. Aligner les trous du meuble et de la grille et les fixer, sans trop serrer, avec les vis de la grille (1).
2. Rebrancher la source de courant électrique de l'appareil.



## Ouverture de porte



Acier inoxydable, noir et blanc

Il n'y a pas d'espace autour de la porte, ce qui, lorsque l'appareil est installé à proximité d'autres meubles, permet de l'ouvrir à 90°.

Les modèles en acier inoxydable nécessitent un espace autour de la porte de 54 mm (2-1/8 po) pour accommoder la poignée si elle est installée près d'un mur.

# Installation

## Ajustements de la porte

### ALIGNEMENT ET AJUSTEMENT DE LA PORTE

Aligner et ajuster la porte si elle n'est pas mise à niveau ou si elle n'est pas fermée hermétiquement. Si la porte n'est pas fermée hermétiquement, il est possible que l'appareil ne refroidisse pas correctement ou que le givre ou une condensation excessive se forme à l'intérieur.

### AVIS

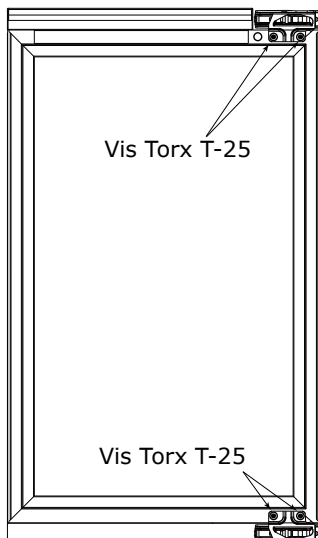
Bien aligné, le joint d'étanchéité de la porte doit être fermement en contact avec le meuble tout autour de la porte (sans aucun espace). Vérifier soigneusement le joint d'étanchéité de la porte pour s'assurer qu'il est bien en contact avec le meuble. Vérifier également que le joint de porte n'est pas coincé du côté des charnières de la porte.



Ne pas utiliser la porte pour soulever ou faire pivoter l'appareil. Cela exercerait une contrainte excessive sur le système de charnières.

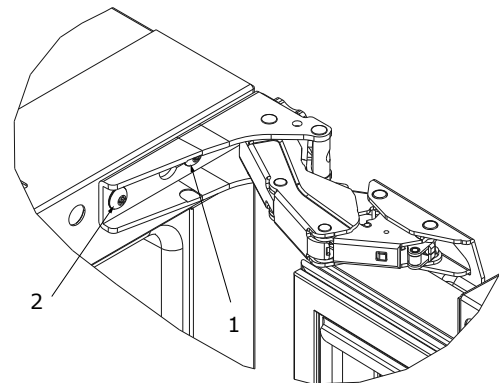
### Procédure d'alignement et d'ajustement

1. Ouvrir la porte et retirer le joint d'étanchéité près des charnières.
2. À l'aide d'une mèche Torx T-25, desserrer chaque vis à tête Torx des deux côtés des plaques de charnière supérieure et inférieure.
3. Redresser et aligner la porte si nécessaire.
4. Serrer les vis Torx sur la charnière.
5. Réinstaller le joint d'étanchéité dans le trou en commençant par l'angle.



### INVERSER LA PORTE.

1. Ouvrir la porte.
2. À l'aide d'une mèche Torx T-25, desserrer la vis n° 1 et retirer la vis n° 2 de la charnière supérieure et inférieure. Glisser et retirer la porte de l'appareil.



**Remarque :** L'une des charnières comprend une entretoise métallique. L'entretoise doit être utilisée avec cette charnière lors de l'inversion de la porte.



3. Retirer les caches des têtes de vis du côté opposé (2 en haut et 2 en bas). À l'aide d'une mèche Phillips n° 2, retirer les 4 vis sous-jacentes. Replacer les vis et les caches sur le côté opposé.
4. Installer partiellement la vis n°1 dans les trous extérieurs du haut et du bas. Tourner la porte à 180°, aligner la charnière sur la vis n° 1 et la faire glisser/mettre en place. Replacer la vis n° 2 en haut et en bas. Serrer les deux vis et installer le couvre-charnière.

### Aligner et ajuster la porte :

Aligner et ajuster la porte (voir ALIGNEMENT ET AJUSTEMENT DE LA PORTE).

# Mode d'emploi

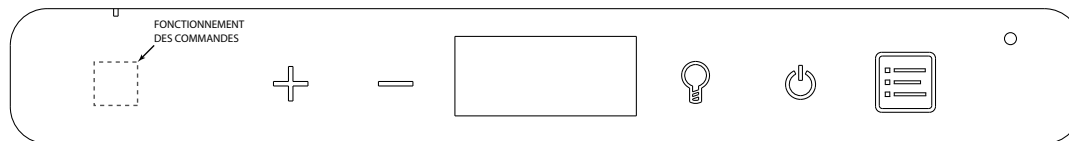
## Première utilisation

La mise en service initiale ne nécessite aucun réglage. Une fois branché, l'appareil commencera à fonctionner selon les paramètres d'usine par défaut. Si l'appareil a été éteint pendant l'installation, appuyer simplement sur  et l'appareil s'allume immédiatement. Pour éteindre l'appareil, appuyer sur .






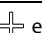
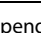


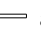





**AVIS : La température affichée reflète la température réelle à l'intérieur de l'appareil.**

Si la température affichée est différente de la température sélectionnée, l'appareil se rapproche de la température sélectionnée. Le temps nécessaire pour atteindre le point de réglage varie en fonction de la température ambiante, de la température du produit chargé, des ouvertures de porte, etc. Viking recommande de laisser l'appareil atteindre les points de réglage avant de le charger.

## Fonctionnement des commandes

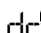


### GUIDE DES FONCTIONS DE COMMANDE

FONCTION	COMMANDE	REMARQUES												
MARCHE/ARRÊT	Appuyer sur  et relâcher	L'appareil se met immédiatement en marche ou en arrêt.												
Ajuster la température	Appuyer sur  ou  et relâcher	Lorsque l'affichage clignote, appuyer sur  ou  pour régler la température de réglage. Remarque : la température affichée est la température réelle à l'intérieur de l'appareil.												
Commutation entre °F/°C	Maintenir  et  pendant 5 secondes	L'affichage va changer d'unité												
Laisser la lumière intérieure allumée	Appuyer sur  et relâcher pour laisser la lumière intérieure allumée pendant 12 heures ; appuyer à nouveau pour désactiver la fonction.	Après 12 heures, la valeur par défaut est réinitialisée. La lumière s'allume lorsque la porte est ouverte.												
Masquer l'affichage	Maintenir le bouton masqué et appuyer sur 	Afficheur s'éteint lorsque la porte est fermée. L'appareil continuera de fonctionner. Répéter la même commande pour allumer l'écran												
Ajuster la couleur de la lumière	Tout en maintenant  appuyer et relâcher  pour faire défiler les options d'éclairage	<table border="1"><thead><tr><th>Option</th><th>Porte ouverte</th><th>Porte fermée</th></tr></thead><tbody><tr><td>00</td><td>Blanc</td><td>Blanc</td></tr><tr><td>01</td><td>Bleu</td><td>Bleu</td></tr><tr><td>02</td><td>Blanc</td><td>Bleu</td></tr></tbody></table> <p>La lumière sera réglée à pleine intensité lorsque la porte est ouverte et à 50 % lorsque la porte est fermée.</p>	Option	Porte ouverte	Porte fermée	00	Blanc	Blanc	01	Bleu	Bleu	02	Blanc	Bleu
Option	Porte ouverte	Porte fermée												
00	Blanc	Blanc												
01	Bleu	Bleu												
02	Blanc	Bleu												
Activer le mode Sabbat	Appuyer sur  et maintenir enfoncé pendant 5 secondes et relâcher	Le symbole °F/°C va clignoter brièvement après 5 secondes. La lumière intérieure et l'écran seront éteints et le resteront jusqu'à ce que l'utilisateur redémarre le mode : l'appareil continue à fonctionner.												
Désactiver le mode Sabbat	Appuyer sur  et relâcher	L'affichage et l'éclairage intérieur fonctionnent à nouveau normalement												
Mode exposition	Maintenir  et  pendant 5 secondes	Le symbole °F/°C se mettra à clignoter. L'écran sera allumé et l'éclairage intérieur va fonctionner. L'appareil ne refroidit pas. Appuyer à nouveau sur la commande pour revenir au fonctionnement normal												

### NOTIFICATION D'ALERTE DE PORTE

Lorsque la porte est laissée ouverte pendant plus de 5 minutes : Cet appareil est certifié Star-K. Visitez [www.star-k.org](http://www.star-k.org) pour plus d'informations.

- Une sonnerie retentit pendant quelques secondes chaque minute.
-  s'affiche à l'écran
- Fermeture de la porte pour cesser l'alerte et réinitialisation.

# Mode d'emploi

## Débit d'air et chargement de produits

### DÉBIT D'AIR

#### Externe

- Ne pas bloquer la grille avant : aucun dégagement supplémentaire sur les côtés, le dessus ou l'arrière de l'appareil n'est nécessaire pour la ventilation.
- Ne pas installer derrière une porte fermée

#### Interne

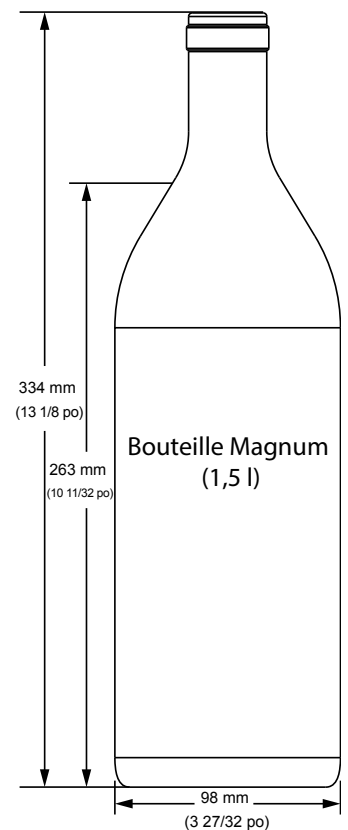
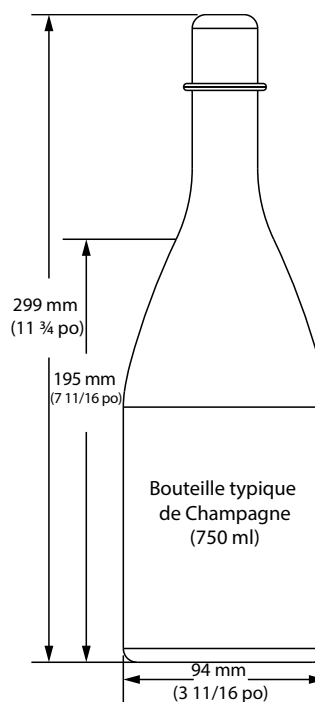
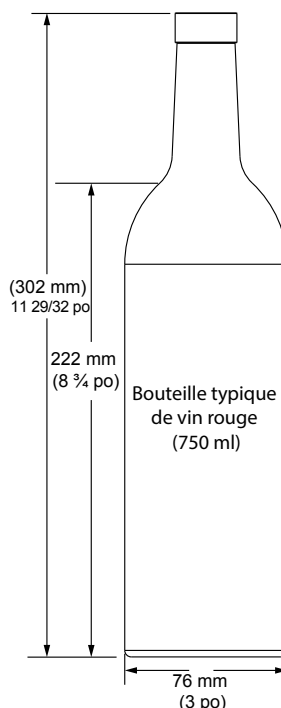
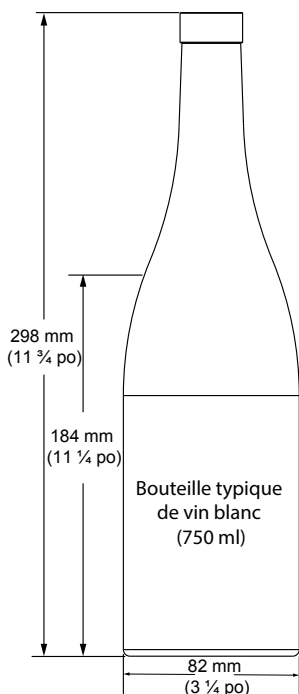
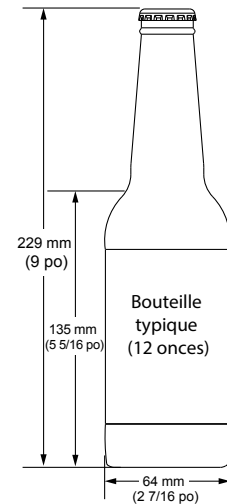
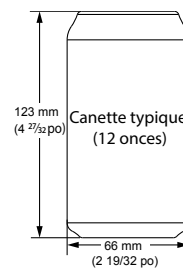
- Lors du chargement, laisser un espace entre les ventilateurs internes, les événements et les parois latérales pour permettre à l'air de circuler librement.

### CHARGEMENT DE PRODUITS

Il existe des bouteilles et des canettes de toutes formes et de toutes tailles. Pour connaître les capacités, se reporter aux tailles suivantes. Des combinaisons de bouteilles rouges et blanches sont utilisées dans les caves à vin et les refroidisseurs à vin.

### AVIS

Limiter le débit d'air peut entraîner un mauvais rendement ou une défaillance du produit, des variations de température interne et peut geler le contenu.



# Mode d'emploi

## Ajustements intérieurs

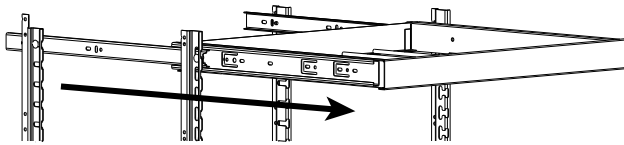
Tous les modèles de la série 5 sont équipés de supports à porte-bouteilles montés latéralement et dotés de 19 positions de réglage.

Tous les refroidisseurs à vin sont livrés avec 7 bacs de rangement. Les retirer et les repositionner à volonté.

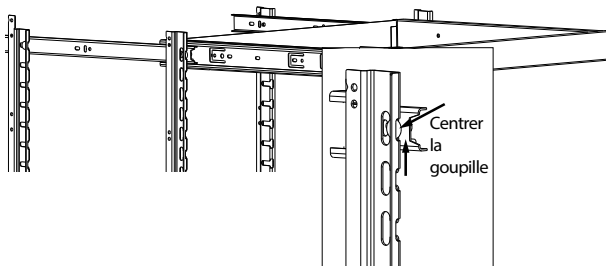
### AJUSTEMENT DU PORTE-BOUTEILLE

#### Démontage du porte-bouteilles

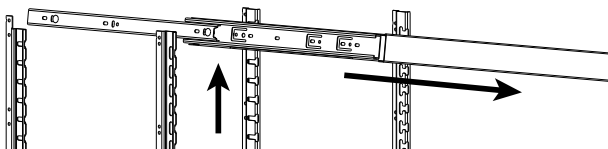
1. Sortir complètement le porte-bouteilles vide



2. Saisir fermement les deux côtés du porte-bouteilles, en soulever légèrement la partie frontale (environ 1/4 po) afin de centrer la goupille dans la fente.



3. Tirer le porte-bouteilles vers vous jusqu'à ce que toutes les goupilles soient dégagées des fentes. Ne pas retirer complètement le porte-bouteilles s'il n'est que repositionné, passer à l'étape 2 « Installation du porte-bouteilles ».
4. Incliner légèrement un côté. Le tirer doucement vers vous pour le retirer de l'appareil.



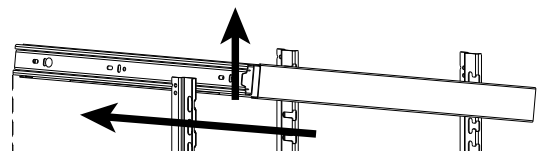
Remarque : Faire attention en retirant le porte-bouteilles pour éviter de rayer l'intérieur de l'appareil.

5. Une fois retiré, rétracter les glissières.

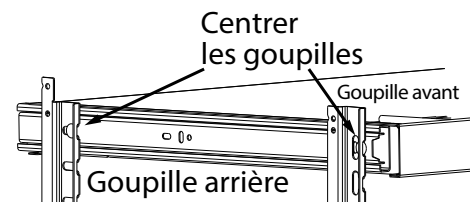
Remarque : Les glissières du porte-bouteilles sont munies d'un revêtement fin qui sert à bloquer l'humidité et à assurer la lubrification. Manipuler avec précaution.

#### Installation du porte-bouteilles

1. Insérer le porte-bouteilles vide dans l'appareil en inclinant légèrement un côté vers le bas jusqu'à ce que la goupille arrière soit placée entre les supports de rail avant et arrière.



2. Incliner le porte-bouteilles vers l'arrière à l'horizontale et aligner 2 goupilles arrière avec les fentes arrière.



3. Aligner 2 goupilles arrière avec 2 fentes arrière et 2 goupilles avant avec 2 fentes avant.
4. Continuer à insérer le porte-bouteilles jusqu'à ce que les quatre goupilles soient complètement insérées. L'avant du porte-bouteilles s'insérera délicatement dans les fentes avant et se bloquera dans la position désirée.

## Mode d'emploi

### Options de stockage du vin

#### POSITION DU PORTE-BOUEILLE

Les porte-bouteilles horizontaux sont spécialement conçus pour permettre de placer correctement les bouteilles afin que le vin reste en contact avec le bouchon, ce qui évite son dessèchement.

Les porte-bouteilles sont conçus pour contenir des bouteilles de vin typiques de 750 ml, comme suit :

#### Modèles de refroidisseurs à vin de 15 po VUBV515

4 bouteilles



#### Modèles de refroidisseurs à vin de 24 po VUBV524

7 bouteilles





# Mode d'emploi

## Guide des vins

### AU-DELÀ DE L'ÉTIQUETTE

Pour la plupart des gens, le vin est un délicieux mystère. Nous l'achetons, le débouchons et savourons son goût et sa beauté. Mais la vraie appréciation du vin ne s'arrête pas là. Bien des secrets sont tout simplement trop précieux pour être gardés en bouteille.

### SUGGESTIONS DE SÉLECTIONS DE VINS

Choisir le bon vin pour la bonne occasion peut parfois sembler une tâche difficile pour un amateur de vin débutant. Nous aimerions donc vous présenter quelques suggestions qui vous aideront à choisir et à servir vos vins avec un peu plus de confiance et de plaisir.

Lorsque vous choisissez vos vins, gardez l'esprit ouvert et n'ayez pas peur de l'aventure. Ne prenez pas la question du vin trop sérieusement, car vous pourriez être découragé d'apprendre et de découvrir par peur d'être embarrassé si quelque chose est incorrect. Le vin est de préférence considéré comme un passe-temps et un plaisir.

Lorsque vous commencez votre collection, essayez de ne pas vous laisser obnubiler par les « millésimes ». Bien qu'un tableau puisse être un outil utile, les généralisations au sujet d'une année particulière ont conduit plus d'un collectionneur à la déception. Souvent, une « année creuse » offre un meilleur rapport qualité-prix et plus de plaisir à boire.

La première ligne directrice au sujet du vin est votre propre palais. Ne craignez pas de faire des erreurs. Faites l'expérience, découvrez, mais surtout, prenez du plaisir et profitez de votre nouveau produit.

## Guide des vins courants

Vins rouges		
Corsé et sec	Californie Français Italien	Zinfandel, Cabernet Rhône, Château neuf-du-Pape Barbaresco, Barolo
Moyennement corsé et sec	Californie Français	Pinot noir Bordeaux, Bourgogne
Légèrement corsé et sec	Français Italien	Beaujolais Chianti, Bardolino
Vins blancs		
Corsé et sec	Californie Français	Chardonnay Montrachet, Meursault Puligny Montrachet
Moyennement corsé et sec	Californie Français	Sauvignon-Blanc Pouilly-Fuisse, Sancerre, Vouvray, Graves
Légèrement corsé, sec	Français	Chablis, Muscadet, Pouilly-Fume
Corsé, très doux	Allemagne Français Hongrie	Beerenauslese Sauternes Tokay
Moyennement corsé, Mi-doux	Californie Allemagne	Gewurztraminer Liebfraumilch
Légèrement corsé semi-sec	Allemagne	Rhine, Mosel Riesling

### Accords mets et vins

Même s'il n'y a pas de règles strictes pour accorder mets et vins, respectez certaines règles. Les plats délicats doivent être accompagnés de vins plus légers et plus délicats. Les aliments à saveur prononcée doivent être accompagnés de vins plus corsés.

En règle générale, les vins de meilleure qualité et à la saveur plus prononcée doivent être servis après les vins plus jeunes et plus légers.

Servez un :	Avant un :
Vin SEC	Vin DOUX
Vin BLANC	Vin ROUGE
Vin NOUVEAU	Vin VIEUX
Vin MI-CORSÉ	Vin CORSÉ

Tout recul dans la qualité sera remarqué. Si un bon vin est dégusté avant un vin de moindre qualité, beaucoup des qualités subtiles du bon vin risquent de passer inaperçues.

# Mode d'emploi

## Accords mets et vins courants

Aliment	Vins
Poissons, crustacés, crabes, huîtres	Vins blancs secs, mousseux légers ou champagne extra sec
Bœuf, chevreuil	Vins rouges corsés
Porc, veau, agneau et volaille	Vins rouges légers
Fruit	Vins blancs doux et mousseux

## Portons un toast à la vérité sur le vin

Comme le raisin lui-même, de nombreux mythes sur le vin ont été cultivés au fil des siècles.

**Mythe 1 :** La plupart des vins sont plus savoureux une fois vieillis.

**La vérité :** En fait, moins de 5 % des vins produits aujourd'hui sont destinés à vieillir. La plupart des vins sont élaborés pour être consommés dans les deux premières années.

**Mythe 2 :** Les vins doivent être débouchés et décantés pour leur permettre de « respirer ».

**La vérité :** Respirer ou ne pas respirer ? Alors qu'il est préférable de laisser un rouge tannique nouveau respirer dans un verre ou une carafe pour adoucir les tanins, un vieux rouge atteindra un stade de maturité où il devrait être apprécié peu après son ouverture. Laissez un vieux rouge respirer un court instant pour dissiper les odeurs désagréables. La plupart des vins blancs peuvent être servis, idéalement 10 à 15 minutes après ouverture.

**Mythe 3 :** Lorsque les vins dignes de ce nom atteignent leur maturité, ils doivent être consommés presque immédiatement.

**La vérité :** La plupart des grands vins atteignent un plateau plutôt qu'un pic. Les grands Bordeaux peuvent avoir jusqu'à 10 ans de plateau avant de se dégrader.

**Mythe 4 :** La couleur du vin ne change pas avec l'âge.

**La vérité :** Les vins rouges deviennent plus clairs en vieillissant, tandis que les blancs deviennent plus foncés.

## Le bouchon de liège : Un mystère en soi

Présentation du bouchon de liège L'histoire du rituel de la présentation du liège est riche et fascinante. Elle remonte à la fin des années 1800. Un phylloxéra (puceron des racines) a ravagé les vignobles et sévèrement limité l'approvisionnement en grands vins. Les restaurateurs retiraient les étiquettes des vins de qualité inférieure et les remplaçaient par des étiquettes de vins de qualité supérieure. Il était donc nécessaire que les clients se protègent en vérifiant la marque sur le bouchon de liège pour s'assurer que ce qu'ils commandaient était, en fait, ce qu'ils recevaient.

Lorsqu'on vous présente un bouchon de liège aujourd'hui, sentez-le pour en vérifier l'intégrité, lisez et faites correspondre la marque sur le bouchon à la bouteille et mettez-le de côté. Il y a peu à apprendre du bouchon de liège. La preuve est dans le vin.

Vins « bouchonnés ». Si vous avez déjà bu un vin qui sentait ou goûtait la moisissure, vous avez fait l'expérience d'un vin « bouchonné ». Aujourd'hui, entre cinq et huit pour cent des vins sont contaminés au trichloroanisole (TCA). Cette substance, que l'on trouve naturellement dans les plantes et les arbres, est transmise au vin par le bouchon de liège. Les vins bouchonnés sont une préoccupation majeure pour les viticulteurs, car ils les obligent à détruire des millions de caisses par an et mettent en jeu leur réputation. Aussi étonnant que cela puisse paraître, les bouchons à visser sont peut-être une meilleure alternative ; de nombreux grands vignobles en Californie, en Australie et en Nouvelle-Zélande sont les précurseurs dans ce domaine.

# Mode d'emploi

## Lexique de la dégustation

Terminologie	Description
Acidité	Un élément critique du vin responsable de la conservation de la fraîcheur du vin. L'excès d'acidité donne un vin trop acidulé et aigre.
Équilibre	Un trait recherché où les tanins, le fruit et l'acidité sont en parfaite harmonie. Les vins bien équilibrés ont tendance à vieillir en douceur.
Corps	Le poids et la présence du vin dans la bouche sont dus à la teneur en alcool et aux tanins. Les vins corsés ont tendance à avoir cette forte concentration.
Bouquet	Le mélange de l'arôme d'un vin en bouteille pendant un certain temps, dû à l'acidité volatile.
Complexe	Terme subjectif souvent utilisé en dégustation. Un vin est dit complexe s'il offre une variété de saveurs et d'arômes qui continuent à évoluer au fur et à mesure de son développement.
Plat	Un vin qui manque de structure, ou qui est lourd au goût, ou manque d'acidité.
Corsé	Vin riche en alcool et extraction, généralement parlant, il remplit la bouche. Un vin fort.
Fin	Décrit généralement les vins fins, manquant de générosité ou petits.
Boisé	Une saveur recherchée que l'on donne au vin quand on le déguste avec modération. La plupart des vins sont conservés en fûts de bois de chêne pendant un à trois ans, ce qui leur confère ce caractère de bois toasté. Cependant, si un vin mou est laissé trop longtemps en contact avec un fût de bois, il aura tendance à être dominé par un goût boisé.
Tanin	Les tanins sont extraits des peaux et des tiges des raisins et sont nécessaires au bon équilibre du vin rouge. Les tanins sont facilement identifiables dans la dégustation de vin comme une sensation d'assèchement des gencives. Les tanins s'estompent généralement au fur et à mesure que le vin vieillit.

Température	Vins
Environ 15 °C (60°F)	Rouge
(10 °C - 12 °C) 50 °F - 55 °F	Blanc
Environ 7 °C (45°F)	Mousseux

## LES CONDITIONS IDÉALES POUR LE STOCKAGE DU VIN

**Température :** L'élément le plus important de la température de stockage est la stabilité. Si le vin est conservé dans un environnement stable entre 7 °C (40 °F) et 21 °C (65 °F), il restera sain. Une légère fluctuation de température de 1 à 2 degrés dans un environnement stable est acceptable. De plus grandes fluctuations de température peuvent affecter la capacité du bouchon à sceller, ce qui permet au vin de « couler » de la bouteille.

**Humidité :** Traditionnellement, on considère que les bouteilles de vin doivent être conservées sur le flanc et que l'humidité relative doit de 50 % à 80 % pour assurer une humidification du bouchon et une bonne tenue dans la bouteille. Selon la sagesse contemporaine, la surface du liège est trop petite pour être affectée par l'humidité. De plus, le bouchon est scellé avec une capsule de métal ou de cire empêchant la pénétration de l'humidité. La notion d'un environnement de stockage humide est née à partir de la nécessité pour les caves vinicoles de maintenir l'humidité dans leurs celliers pour que les fûts en bois ne gonflent pas et empêchent l'évaporation du vin et par conséquent la perte de produits. En fait, les vignobles estiment à 10 % la perte de produit par an due à l'évaporation pendant que le vin vieillit dans les fûts en bois. En revanche, l'humidité n'est pas adaptée à la cave moderne où le vin est stocké dans des bouteilles en verre avec bouchons scellés.

**La lumière :** Les rayons UV ne sont pas seulement nocifs pour les personnes, ils le sont également pour les vins, en particulier ceux qui sont dans des bouteilles transparentes. Étant donné que les molécules d'oxygène dans le vin absorbent les rayons UV, le vin ne devrait jamais être conservé à la lumière directe pendant une longue période de temps.

**Vibration :** Si les sédiments ne sont pas répartis et que les particules ne sont pas en suspension, les vibrations dans un environnement de stockage ne posent pas de problème. Les vins peuvent devenir plats ou fatigués lorsqu'un vide se forme à l'intérieur de la bouteille de vin. Pour qu'un vide se crée dans un liquide, la bouteille doit être violemment secouée.

## Entretien

### Nettoyage

#### Modèles en acier inoxydable

Les panneaux de porte, les poignées et les cadres en acier inoxydable peuvent se décolorer lorsqu'ils sont exposés au chlore gazeux, aux produits chimiques pour piscines, à l'eau salée ou aux produits nettoyeurs à l'eau de Javel.

Pour que votre appareil en acier inoxydable conserve son aspect neuf, nettoyer avec un nettoyant tout-en-un de bonne qualité spécialement conçu pour l'acier inoxydable et polir une fois par mois. Pour de meilleurs résultats, utilisez le nettoyant et lustrant pour acier inoxydable Claire®. Des produits de même qualité sont acceptables. Un nettoyage fréquent enlèvera la contamination en surface qui pourrait le faire rouiller. Certains équipements peuvent nécessiter un nettoyage hebdomadaire.

**Ne pas nettoyer avec des tampons de laine d'acier.**

**Ne pas utiliser de nettoyeurs ou de produits à lustrer pour acier inoxydable sur les surfaces en verre.**

Nettoyer toutes les surfaces en verre avec un nettoyant pour verre sans chlore.

**Ne pas utiliser de nettoyeurs non conçus spécifiquement pour l'acier inoxydable sur les surfaces en acier inoxydable (y compris les nettoyeurs pour vitres, carreaux et comptoirs).**

Si une surface se décolore ou rouille, la nettoyer rapidement avec Bon-Ami® ou Barkeepers Friend Cleanser® et un tissu non abrasif. Toujours nettoyer en douceur. Pour éviter d'autres inconvénients, toujours terminer le nettoyage en utilisant le nettoyant et le poli pour acier inoxydable Claire® ou un produit comparable.

**L'utilisation de tampons abrasifs tels que ScotchBrite™ peut estomper le grain de l'acier inoxydable.**

**La rouille qui n'est pas nettoyée rapidement peut pénétrer la surface de l'acier inoxydable et son élimination complète devenir impossible.**

#### Modèles intégrés

Pour nettoyer les panneaux intégrés, utiliser un nettoyant ménager approuvé par le fabricant.

#### NETTOYAGE INTÉRIEUR

Débrancher la source de courant électrique de l'appareil. Laver les parois intérieures et tous les composants enlevés à l'aide d'un détergent doux non abrasif et d'une solution

tiède appliquée avec une éponge douce ou un tissu non abrasif.

Rincer les parois intérieures avec une éponge douce et de l'eau propre.

**Ne pas utiliser de nettoyeurs à base de solvants ou d'abrasifs.** Ces produits de nettoyage peuvent altérer le goût et/ou l'odeur des produits à l'intérieur et endommager ou décolorer les parois intérieures.

#### DÉGIVRAGE

Dans des conditions normales, cet appareil ne nécessite pas de dégivrage manuel. Il est normal qu'il y ait peu de givre sur la paroi arrière ou qu'il soit visible à travers les événements de la plaque de l'évaporateur, il fondra durant chaque cycle.

En cas d'accumulation excessive de 6 mm (1/4 po) ou plus, dégivrer manuellement l'appareil.

S'assurer que la porte est bien fermée et scellée.

Une température ambiante élevée et une humidité excessive peuvent également produire du givre.



**NE PAS utiliser un pic à glace ou un autre instrument tranchant pour accélérer le dégivrage. Ces instruments peuvent perforer le revêtement intérieur ou endommager l'unité de refroidissement. N'UTILISER AUCUN type de chauffage pour dégivrer. L'utilisation d'un appareil de chauffage pour accélérer le dégivrage peut causer des blessures et endommager le revêtement intérieur.**

#### AVIS

**Le bac de récupération n'a pas été conçu pour capter l'eau générée par le dégivrage manuel. Pour éviter que l'eau ne déborde du bac de récupération et n'endommage le revêtement de sol sensible à l'eau, l'appareil doit être retiré des meubles de cuisine.**

Pour dégivrer :

1. Débrancher la source de courant électrique de l'appareil.
2. Retirer tous les produits de l'intérieur
3. Maintenir la porte en position ouverte (50 mm [2 po] minimum).
4. Laisser le givre fondre naturellement.
5. Après la fonte complète du givre, nettoyer l'intérieur et tous les composants retirés. (Voir NETTOYAGE INTÉRIEUR).
6. Lorsque l'intérieur est sec, rebrancher la source d'alimentation et mettre l'appareil sous tension.

## Entretien

### Nettoyage du condenseur

#### INTERVALLE – TOUS LES SIX MOIS

Pour maintenir l'efficacité opérationnelle, maintenir la grille frontale sans poussière ni peluche, et nettoyer le condenseur au besoin. Selon les conditions environnantes, un nettoyage plus ou moins fréquent peut être nécessaire.

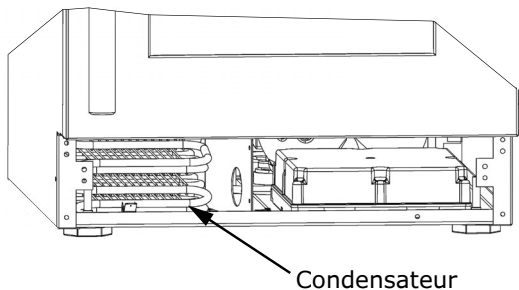


Débrancher la source d'alimentation électrique de l'appareil avant de nettoyer le condenseur.

#### AVIS

**NE PAS utiliser de produit de nettoyage sur le condenseur. Le condenseur peut être nettoyé avec un aspirateur, une brosse douce ou à l'air comprimé.**

1. Retirer la grille. (Voir INSTALLATION DE LA GRILLE).
2. Nettoyer le serpentin du condenseur à l'aide d'une brosse douce ou d'un aspirateur.
3. Installer la grille



### Non-utilisation prolongée

#### VACANCES/VOYAGES, ARRÊT PROLONGÉ

Les étapes suivantes sont recommandées pour les périodes de non-utilisation prolongée :

1. Retirer tout le contenu de l'appareil.
2. Débrancher le cordon d'alimentation de la prise de courant et le laisser débranché jusqu'à ce que l'appareil soit remis en service.
3. Lorsqu'il y a de la glace à l'intérieur de l'appareil, la laisser dégeler naturellement.
4. Nettoyer et sécher l'intérieur de l'appareil. S'assurer que toute l'eau a été séchée.
5. La porte doit rester ouverte pour éviter la formation de moisissure. Ouvrir la porte d'au moins 50 mm (2 po) pour assurer la ventilation nécessaire.

### HIVÉRISATION

Si l'appareil doit être exposé à des températures de (5°C) (40°F) ou moins, suivre les étapes ci-dessus.

Pour toute question concernant l'hivérisation, veuillez communiquer avec le service Viking Preferred au (888) 845-4641.



Les dommages causés par le gel ne sont pas couverts par la garantie.

### Dépannage

#### AVANT D'APPELER LE SERVICE TECHNIQUE

Si vous pensez que votre produit fonctionne mal, lisez la section FONCTIONNEMENT DES COMMANDES pour bien comprendre leur fonctionnement.

Si le problème persiste, lisez les sections SONS NORMAUX DE FONCTIONNEMENT et GUIDE DE DÉPANNAGE ci-dessous pour vous aider à identifier rapidement les problèmes courants et les causes et les solutions possibles. Le plus souvent, cela résoudra le problème sans qu'il soit nécessaire de faire appel au service technique.

#### SI UN ENTRETIEN EST NÉCESSAIRE

Si vous ne comprenez pas une solution de dépannage ou si votre produit a besoin d'être réparé, communiquez directement avec le service Viking Preferred au (888) 845-4641.

Lorsque vous appelez, vous aurez besoin des numéros de modèle et de série de votre produit. Ces informations se trouvent sur la plaque signalétique du modèle et de la série située en haut à droite ou sur la paroi arrière de l'intérieur de votre produit.

#### SONS NORMAUX DE FONCTIONNEMENT

Tous les modèles sont équipés de meubles isothermes en mousse rigide pour offrir un rendement thermique élevé et une réduction maximale du niveau sonore pour ses composants internes. Malgré cela votre modèle peut produire des sons qui sont inconnus.

Les sons de fonctionnement normaux peuvent être plus perceptibles en raison de l'environnement de l'appareil. Les surfaces dures comme les meubles, les planchers de bois, de vinyle ou de carrelage et les murs en panneaux ont tendance à refléter les bruits de fonctionnement normaux des appareils.

## Entretien

Ci-dessous, vous trouverez les composants de réfrigération courants ainsi qu'une brève description des bruits de fonctionnement normaux qu'ils émettent. **REMARQUE :** Votre produit peut ne pas contenir tous les composants indiqués.

- **Compresseur :** Le compresseur émet un bourdonnement ou un son pulsé pouvant être entendu lorsqu'il fonctionne.
- **Évaporateur :** Le liquide réfrigérant qui s'écoule dans un évaporateur peut émettre un bruit qui ressemble à un liquide en ébullition.
- **Ventilateur du condensateur :** L'air circulant dans un condensateur peut être entendu.
- **Bac de récupération pour dégivrage automatique :** On peut entendre de l'eau couler ou goutter dans le bac de récupération lorsque l'appareil est en cycle de dégivrage.

### GUIDE DE DÉPANNAGE

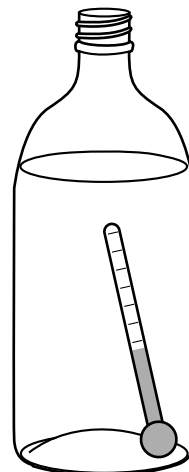
#### **⚠ DANGER**

**RISQUE D'ÉLECTROCUTION.** Ne jamais tenter de réparer ou d'effectuer des travaux d'entretien sur l'appareil avant d'avoir débranché la source principale d'alimentation électrique.

Dépannage : ce qu'il faut vérifier lorsque des problèmes surviennent :

Problème	Cause probable et solution
L'éclairage intérieur ne s'allume pas	Si l'appareil refroidit, il se peut qu'il soit en mode Sabbath.
La lumière reste allumée lorsque la porte est fermée.	Éteindre l'interrupteur d'éclairage, s'il y a lieu. Ajuster le support de commande de la lumière au bas de la porte.
Du givre apparaît sur les parois internes.	S'assurer que la porte est bien fermée et scellée.
De la condensation apparaît sur les surfaces externes.	L'appareil est exposé à une humidité excessive. La vapeur d'eau se dissipe à mesure que le taux d'humidité diminue.
Le produit n'est pas assez froid	La température de l'air n'indique pas la température du produit. Voir la section <b>VÉRIFICATION DE LA TEMPÉRATURE DU PRODUIT</b> ci-dessous. Régler la température à un point de réglage plus froid. S'assurer que l'appareil n'est pas placé dans un environnement soumis à des températures ambiantes excessives ou à la lumière directe du soleil. S'assurer que la porte est bien fermée et scellée. S'assurer que la lumière intérieure n'est pas restée allumée trop longtemps. S'assurer que rien ne bloque la grille frontale, qui se trouve au bas de l'appareil. S'assurer que le serpentin du condensateur est propre et sans saleté ni peluche.

### CONTRÔLE DE LA TEMPÉRATURE DU PRODUIT



**Pour vérifier la température réelle du produit dans l'appareil :**

1. Remplir partiellement d'eau une bouteille en plastique (incassable).
2. Y insérer un thermomètre précis.
3. Bien serrer le bouchon de la bouteille.
4. Placer la bouteille à l'endroit désiré pendant 24 heures.
5. Éviter d'ouvrir l'appareil pendant la période de test.
6. Après 24 heures, vérifier la température de l'eau. Si nécessaire, régler la commande de température par petites graduations (voir **FONCTIONNEMENT DES COMMANDES**).

**Les causes qui affectent les températures internes de l'appareil sont les suivantes :**

- Paramètre de température
- Température ambiante sur le lieu d'installation.
- Installation à la lumière directe du soleil ou près d'une source de chaleur.
- Le nombre d'ouvertures de porte et leurs durées.
- Le temps pendant lequel la lumière interne reste allumée. (Ceci affecte principalement les produits qui se trouvent sur le rayonnage ou l'étagère du haut.)
- Obstruction de la grille frontale ou du condensateur.

## Entretien

Si un entretien s'avère nécessaire, appeler votre agence de service agréée.

Préparez les informations suivantes :

- Numéro de modèle
- Numéro de série
- Date d'achat
- Nom du revendeur auprès de qui le produit a été acheté

Décrivez avec précision le problème que vous rencontrez. Si vous ne parvenez pas à obtenir le nom d'une agence de service agréée, ou si vous continuez de rencontrer des problèmes, contactez Viking Range, LLC au +1 888 845-4641, ou écrivez à :

**VIKING RANGE, LLC  
PREFERRED SERVICE  
111 Front Street  
Greenwood, Mississippi 38930 USA**

Enregistrer les informations indiquées ci-dessous. Vous en aurez besoin si un entretien s'avère nécessaire. Le numéro de série et le numéro de modèle de votre refroidisseur à vin se trouvent sur la paroi supérieure, derrière l'éclairage :

Numéro de modèle \_\_\_\_\_

N° de série \_\_\_\_\_

Date d'achat \_\_\_\_\_

Date d'installation \_\_\_\_\_

Nom du revendeur \_\_\_\_\_

Adresse \_\_\_\_\_

\_\_\_\_\_

Si l'entretien nécessite l'installation de pièces, n'utiliser que des pièces agréées afin d'être certain d'être couvert par la garantie.

**Gardez ce manuel pour référence future.**

## GARANTIE DU REFROIDISSEUR À VIN ENCASTRABLE

### GARANTIE TOTALE DE DEUX ANS

Les refroidisseurs à vin encastrables et tous leurs composants, à l'exception de ceux décrits ci-dessous\*, sont garantis contre tout défaut de matériaux ou de fabrication dans le cadre d'une utilisation résidentielle normale pendant deux (2) ans suivant la date de leur achat originale. Viking Range, LLC s'engage à réparer ou à remplacer, à sa discrétion, toute pièce défectueuse ou qui est jugée défectueuse pendant la période de garantie.

\*GARANTIE COMPLÈTE DE QUATRE-VINGT-DIX (90) JOURS : Le produit est garanti contre tout défaut de matériaux ou de fabrication (comme les rayures sur l'acier inoxydable, les imperfections de peinture ou sur la porcelaine, etc.) pendant une période de quatre-vingt-dix (90) jours suivant la date d'achat originale ou à la date limite de la nouvelle installation, si cette dernière période est supérieure. Tout défaut doit être signalé au concessionnaire dans un délai de quatre-vingt-dix (90) jours à compter de la date de l'achat. Viking Range, LLC utilise des procédés et des matériaux de la plus haute qualité disponibles pour réaliser toutes les finitions de couleur. Cependant, une légère variation de couleur peut être remarquée en raison des différences inhérentes aux pièces peintes et aux pièces en porcelaine ainsi que des différences dans l'éclairage de la cuisine, l'emplacement des produits et d'autres facteurs. Par conséquent, cette garantie ne s'applique pas aux variations de couleur attribuables à ces facteurs.

GARANTIE COMPLÈTE DE QUATRE-VINGT-DIX (90) JOURS POUR LES UTILISATIONS « RÉSIDENIELLES PLUS » : Cette garantie totale s'applique aux appareils dont l'utilisation s'étend au-delà de l'utilisation résidentielle normale, mais la durée de garantie est de quatre-vingt-dix (90) jours pour de telles applications. Exemples d'utilisations couvertes par cette garantie : chambres d'hôtes, casernes de pompiers, clubs privés, églises, etc. En vertu de cette garantie « Résidentielle Plus », le produit, ses composants et ses accessoires sont garantis contre tout défaut de matériel ou de fabrication pour une période de quatre-vingt-dix (90) jours à compter de la date d'achat. Cette garantie exclut l'utilisation du produit dans tous les lieux de commerce tels que les restaurants, les établissements de restauration et les établissements de services alimentaires institutionnels.

### GARANTIE TOTALE DE SIX ANS SUR LES PARTIES SCELLÉES DU SYSTÈME DE RÉFRIGÉRATION COMME INDIQUÉ

Tout composant scellé du système de réfrigération, comme mentionné ci-dessous, est garanti contre tout défaut de matériaux ou de fabrication dans des conditions normales d'utilisation résidentielle au cours de la troisième à la sixième année suivant la date d'achat. Viking Range, LLC s'engage à réparer ou à remplacer, à sa discrétion, toute pièce défectueuse ou qui est jugée défectueuse pendant la période de garantie.

Les composants scellés du système de réfrigération : Compresseur, évaporateur, condenseur, tuyau de raccordement, sécheur/filtre

### GARANTIE LIMITÉE DE DOUZE ANS SUR LES PARTIES SCELLÉES DU SYSTÈME DE RÉFRIGÉRATION COMME INDIQUÉ

Tout composant scellé du système de réfrigération, comme indiqué ci-dessus, qui est défectueux en raison d'un défaut de matériaux ou de fabrication dans le cadre d'un usage résidentiel normal entre sept et douze ans après la date d'achat sera réparé ou remplacé sans frais et ce, pour le composant lui-même, le propriétaire en assumera les autres coûts, dont tous les frais de main-d'œuvre.

### CONDITIONS D'UTILISATION

Cette garantie s'étend à l'acheteur initial du produit garanti en vertu des présentes et à chaque cessionnaire propriétaire du produit pendant la durée de la garantie et s'applique aux produits achetés qui se trouvent aux États-Unis, au Canada, au Mexique et aux Caraïbes (sauf Cuba, République dominicaine et Haïti). Les produits doivent avoir été achetés dans le pays où l'entretien est demandé. Si le produit ou l'un de ses composants présente un défaut ou un dysfonctionnement pendant toute la période de garantie après un nombre raisonnable de tentatives par le fournisseur pour remédier au défaut ou au dysfonctionnement, le propriétaire a droit à un remboursement ou un remplacement du produit ou de ses composants ou ses pièces détachées. Le remplacement d'un composant inclut son installation gratuite, à l'exception de ce qui est spécifié dans la garantie limitée. Conformément aux conditions générales de cette garantie, l'entretien doit être effectué par un agent d'entretien Viking Range, LLC ou un représentant agréé. L'entretien sera assuré pendant les heures normales d'ouverture, et la main-d'œuvre effectuée en heures supplémentaires ou au tarif majoré ne sera pas couverte par cette garantie.

Le propriétaire est responsable de l'installation adéquate, de l'entretien raisonnable et nécessaire, de la preuve d'achat sur demande et de l'accessibilité raisonnable à l'appareil pour l'entretien. Le retour de la fiche d'inscription du propriétaire n'est pas une condition de garantie. Cependant, vous devez retourner la fiche d'inscription du propriétaire afin que Viking Range, LLC puisse vous contacter en cas de problème de sécurité qui pourrait vous affecter.

Cette garantie vous donne des droits légaux spécifiques, et vous pouvez également avoir d'autres droits qui peuvent varier d'une juridiction à l'autre. **CE QUI N'EST PAS COUVERT PAR LA PRÉSENTE GARANTIE :** Cette garantie ne s'applique pas aux dommages causés par une utilisation abusive, un défaut d'entretien raisonnable et nécessaire, un accident, une livraison, une négligence, une catastrophe naturelle, une perte d'alimentation électrique du produit pour quelque raison que ce soit, une modification, une utilisation extérieure, une mauvaise installation, une mauvaise utilisation, une réparation ou un entretien du produit par un autre intervenant autre qu'un fournisseur Viking Range, LLC ou son représentant agréé. Cette garantie ne s'applique pas à un usage commercial.

### LIMITATION DES RECOURS ET DURÉE DE LA GARANTIE IMPLICITE

LE SEUL ET UNIQUE RECOURS DU PROPRIÉTAIRE POUR UNE RÉCLAMATION DE QUELQUE NATURE QUE CE SOIT RELATIVEMENT À CE PRODUIT SONT LES SOLUTIONS SUSMENTIONNÉES. VIKING RANGE, LLC N'ASSUME AUCUNE RESPONSABILITÉ POUR LES DOMMAGES INDIRECTS OU FORTUITS, Y COMPRIS, MAIS SANS S'Y LIMITER, LES PERTES DE NOURRITURE OU DE MÉDICAMENTS, DUES À UNE DÉFAILLANCE DU PRODUIT, SOIT CONSÉCUTIVE À UNE VIOLATION DE LA GARANTIE OU DU CONTRAT OU AUTRE. Certaines juridictions n'autorisent pas l'exclusion ou la limitation des dommages fortuits ou consécutifs, de sorte que les limitations ou exclusions ci-dessus peuvent ne pas être applicables dans votre cas. **TOUTE GARANTIE IMPLICITE DE QUALITÉ MARCHANDE OU D'APTITUDE À UN USAGE PARTICULIER APPLICABLE À CE PRODUIT EST LIMITÉE DANS LE TEMPS À LA PÉRIODE DE COUVERTURE DES GARANTIES LIMITÉES EXPRESSES ÉCRITES APPLICABLES SUSMENTIONNÉES.** Certains états n'autorisent pas les limitations sur la durée d'une garantie implicite, de sorte que la limitation ci-dessus peut ne pas être applicable dans votre cas.

### SERVICE DE GARANTIE

Pour obtenir le service de garantie, contactez un agent de service Viking Range, LLC ou Viking Range, LLC, 111 Front Street, Greenwood, Mississippi 38930, (888) 845-4641. Indiquez le modèle et le numéro de série ainsi que la date d'achat d'origine ou la date de la nouvelle installation. Pour obtenir les coordonnées du centre de service Viking Range, LLC le plus proche de chez vous, appelez Viking Range, LLC.

**IMPORTANT :** Conservez la preuve d'achat originale pour justifier de la période de garantie.

Spécifications modifiables sans préavis.

Viking Range, LLC

111 Front Street

Greenwood, Mississippi 38930 USA

(662) 455-1200

Pour plus d'informations sur les produits, composez le 1-888-(845-4641) ou visitez notre site Internet sur [vikingrange.com](http://vikingrange.com)  
073216-000 FR (101519)



# MANUAL DE instalación, uso y mantenimiento



## **SERIE 5** Bodega bajo encimera

VUWC515G  
VUWC524G

---

# Enhorabuena

Esperamos que disfrute y aprecie el cuidado y la atención que hemos puesto en cada detalle de su nuevo e innovador bodega bajo encimera Viking.

El aparato está diseñado para ofrecer muchos años de vida útil. Esta Guía de uso y cuidado le brindará la información que necesita para familiarizarse con el cuidado y el funcionamiento de su centro de bebidas. Para obtener información adicional, visite nuestro sitio web en [vikingrange.com](http://vikingrange.com).

Su total satisfacción es nuestro objetivo final. Si tiene alguna pregunta o comentario acerca de este producto, póngase en contacto con nuestro Centro de Atención al Consumidor al 1-888-845-4641.

Le agradecemos que haya elegido este bodega bajo encimera y esperamos que vuelva a confiar en nosotros cuando necesite otros aparatos. Para obtener más información sobre la completa y creciente variedad de nuestros productos, visítenos en línea en [vikingrange.com](http://vikingrange.com).

## Índice

<b>Seguridad y advertencia</b>	<b>3</b>
Eliminación y reciclaje	3
Requisitos medioambientales	3
<b>Instalación</b>	<b>4</b>
Encastrado y dimensiones del producto	4
Instalación lado a lado	5
Soporte antivuelco	6
Nivelado	7
Instalación de la rejilla	7
Movimiento de la puerta	7
Ajuste de la puerta	8
<b>Instrucciones de funcionamiento</b>	<b>9</b>
Primer uso	9
Funcionamiento del control	10
Flujo de aire y carga de productos	10
Ajustes interiores	11
Guía de vinos	13
<b>Mantenimiento</b>	<b>16</b>
Limpieza	16
Limpieza del condensador	17
Períodos prolongados en los que no se usa	17
Resolución de problemas	17
<b>Información de servicio técnico</b>	<b>19</b>
<b>Garantía</b>	<b>20</b>

## Seguridad y advertencia

### AVISO

Lea todas las instrucciones antes de instalar, utilizar o reparar el aparato.

Úselo solo para el propósito previsto y siga estas precauciones generales que se enumeran en esta guía:

### DEFINICIONES DE ALERTAS DE SEGURIDAD

A lo largo de esta guía hay elementos de seguridad etiquetados con Peligro, Advertencia o Precaución según el tipo de riesgo:

#### PELIGRO

Peligro significa que el incumplimiento de esta declaración de seguridad provocará lesiones personales graves o la muerte.

#### ADVERTENCIA

Advertencia significa que el incumplimiento de esta declaración de seguridad podría provocar lesiones personales serias o la muerte.

#### PRECAUCIÓN

Precaución significa que el incumplimiento de esta declaración de seguridad puede provocar lesiones personales leves o moderadas, daños a la propiedad o al equipo.

#### PELIGRO

Esta unidad contiene R600a (isobutano), que es un hidrocarburo inflamable. Es seguro para uso regular. No use objetos afilados para acelerar la descongelación. No realice el servicio técnico sin consultar la sección "Especificaciones del R600a" incluida en la Guía del usuario. No dañe el circuito refrigerante.

#### ADVERTENCIA

El servicio debe realizarse por personal de servicio autorizado de fábrica. Cualquier parte se debe reemplazar con componentes similares. El incumplimiento podría aumentar el riesgo de posible ignición debido a piezas incorrectas o servicio incorrecto.

### PROPUESTA 65 DE CALIFORNIA

Este producto incluye químicos que el Estado de California sabe que causan cáncer y defectos de nacimiento y daño reproductivo. [www.P65warnings.CA.gov](http://www.P65warnings.CA.gov)

#### PRECAUCIÓN

Este equipo debe instalarse con una protección de flujo de retorno adecuada para cumplir con los códigos federales, estatales y locales aplicables.

### Eliminación y reciclaje

#### PELIGRO

**RIESGO DE QUE UN NIÑO QUEDE ATRAPADO.** Antes de desechar su viejo refrigerador o congelador, retire las puertas y deje los estantes en su lugar para que los niños no puedan ingresar fácilmente.

Si la unidad se retira del servicio para su eliminación, consulte y respete todas las normas federales, estatales y locales con respecto a la eliminación y reciclaje de aparatos de refrigeración, y siga estos pasos en su totalidad:

1. Retire todo el contenido consumible de la unidad.
2. Desenchufe el cable eléctrico del tomacorriente.
3. Retire las puertas/cajones.

### Requisitos medioambientales

Este modelo está diseñado solo para aplicaciones en lugares cerrados/interiores y no se debe utilizar en instalaciones abiertas/expuestas a elementos naturales.

Esta unidad está diseñada para funcionar entre 50 °F (10 °C) y 100 °F (38 °C). Las temperaturas ambientales más altas pueden reducir la capacidad de la unidad para alcanzar temperaturas bajas o reducir la producción de hielo en los modelos aplicables.

Para obtener el mejor rendimiento, mantenga la unidad alejada de la luz solar directa y de equipos generadores de calor.

En climas donde hay alta humedad y puntos de rocío, puede aparecer condensación en las superficies externas. Esto se considera normal. La condensación se evaporará cuando baje la humedad.

#### PRECAUCIÓN

Los daños causados por temperaturas ambiente de 40 °F (4 °C) o menos no están cubiertos por la garantía.

# Instalación

## Encastrado y dimensiones del producto

### PREPARACIÓN DEL SITIO

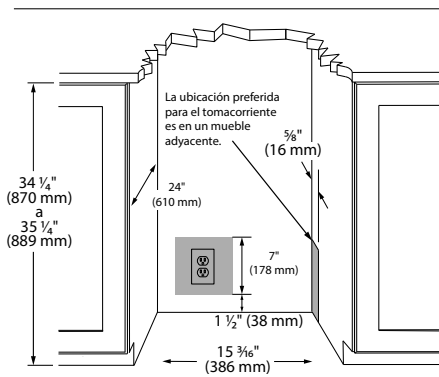
Su producto ha sido diseñado para una instalación independiente o incorporada. Cuando se instala de forma incorporada, su unidad no requiere espacio adicional para la parte superior, posterior, o los lados. Sin embargo, la rejilla delantera NO debe estar obstruida, y se requiere espacio libre para una conexión eléctrica en la parte posterior.



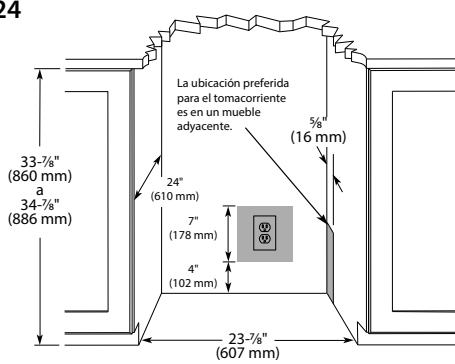
La unidad NO se puede instalar detrás de una puerta del mueble cerrada.

### DIMENSIONES DE ENCASTRADO

#### VUWC515



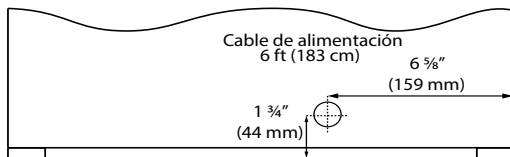
#### VUWC524



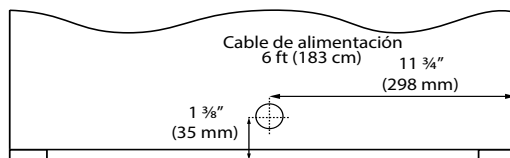
### DIMENSIONES DEL PRODUCTO

#### PARTE POSTERIOR

#### VUWC515

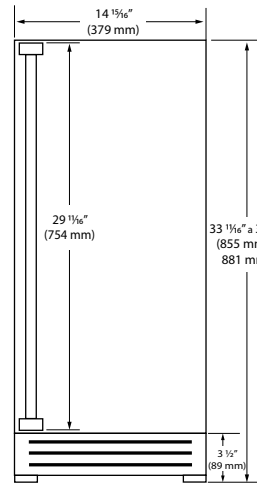


#### VUWC524

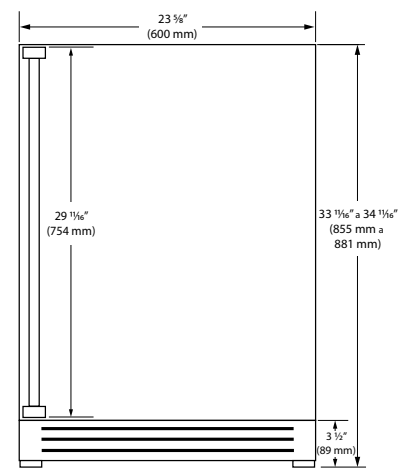


### PARTE FRONTAL

#### VUWC515

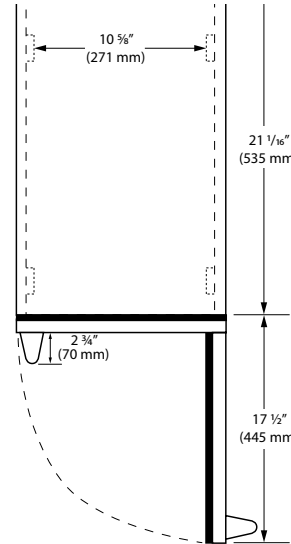


#### VUWC524

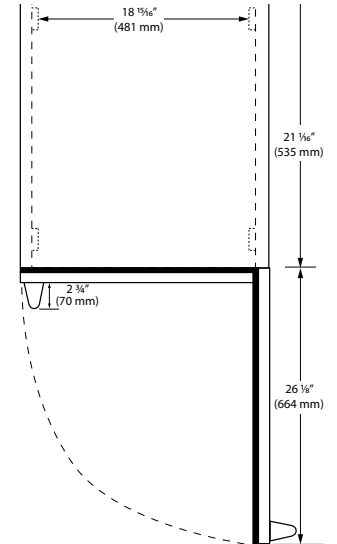


### PARTE SUPERIOR

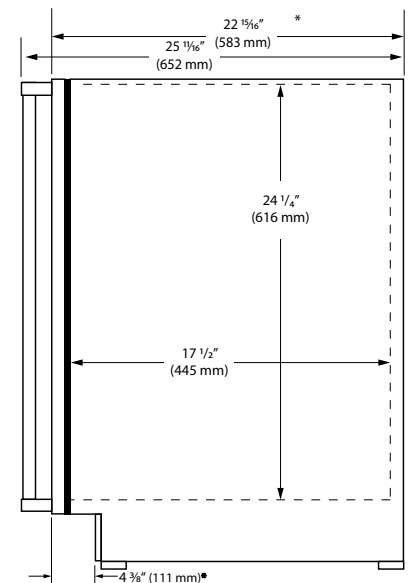
#### VUWC515



#### VUWC524



### LADO



\*Agregue 1/2" para modelos integrados con un panel de 3/4" instalado.

# Instalación

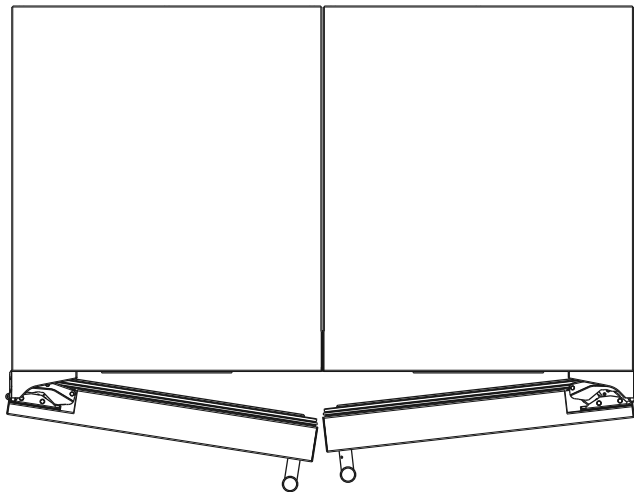
## Instalación de lado a lado

### OTROS REQUISITOS DEL SITIO

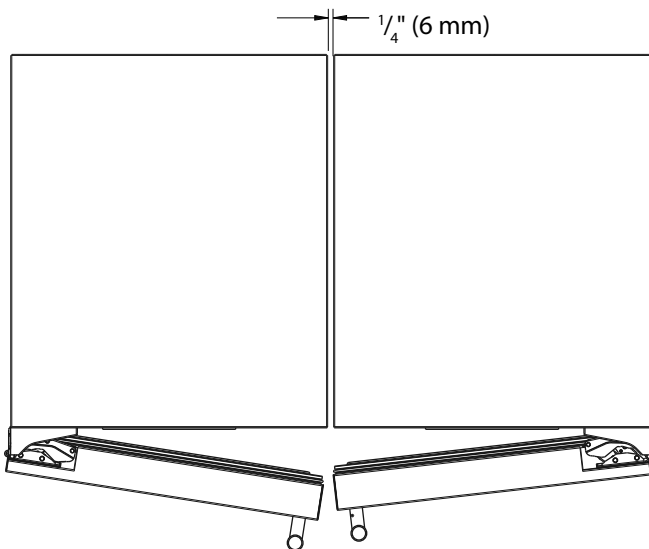
#### Instalación de lado a lado

Las unidades deben funcionar desde receptáculos eléctricos separados, debidamente conectados a tierra, de acuerdo con los requisitos de las especificaciones eléctricas de cada unidad.

El ancho de encastrado para una instalación lado a lado es el total de los anchos enumerados en Dimensiones de encastrado en la Guía de instalación de cada unidad. Cada puerta se puede abrir individualmente (una a la vez) sin interferencia.

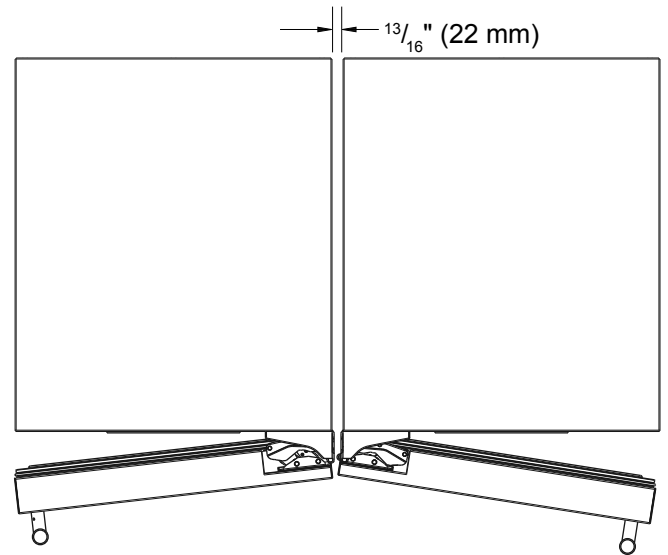


Sin embargo, para garantizar un movimiento de la puerta sin obstrucciones (al abrir ambas puertas al mismo tiempo), se debe mantener un espacio de 1/4" (6.4 mm) entre las unidades.

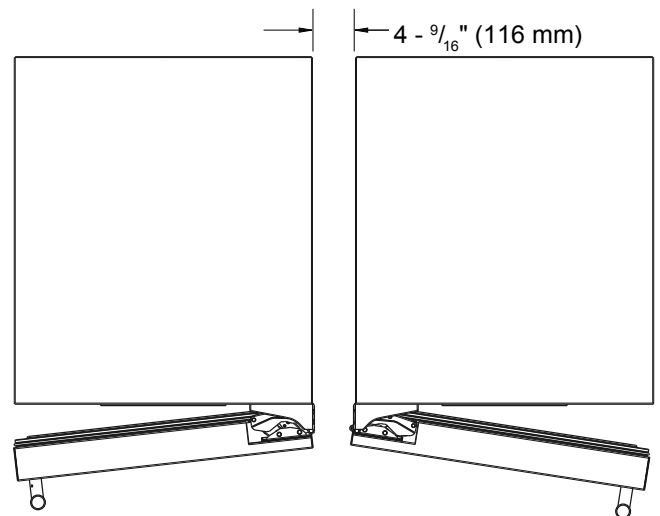


## Instalación bisagra a bisagra (Mullion)

Al instalar dos unidades bisagra por bisagra, se requieren 13/16" (22 mm) para los modelos integrados. Es posible que se necesite espacio adicional para cualquier perilla, tirador o manija instalada.



Los modelos de acero inoxidable que incluyen la manija de acero inoxidable estándar requerirán 4 a 9/16" (116 mm) para permitir que ambas puertas se abran a 90° al mismo tiempo.



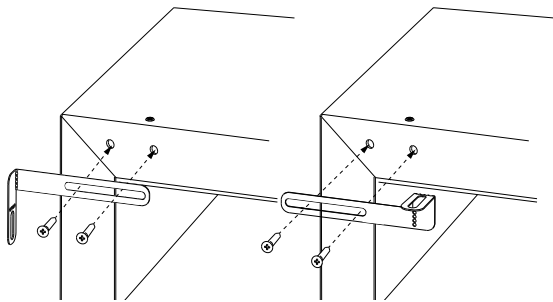
# Instalación

## Soporte antivuelco

Utilice uno de los siguientes métodos para asegurar la unidad

### INSTALACIÓN ANTIVUELCO DEL MUEBLE/ENCIMERA (para aplicaciones incorporadas)

1. Deslice la unidad hacia afuera para que los tornillos en la parte frontal de la misma sean fácilmente accesibles.
2. Retire los dos tornillos de la parte frontal de la unidad.

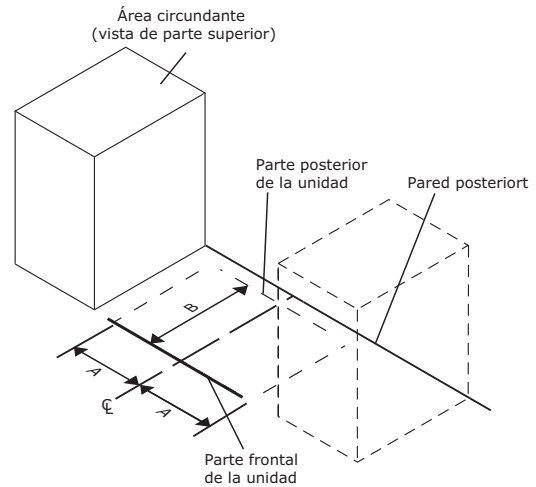


3. Doble el soporte a lo largo de una de las perforaciones para permitir la unión a la superficie adyacente deseada.
4. Empuje suavemente la unidad a su sitio. Tenga cuidado de no enredar el cable eléctrico o la línea de agua, si corresponde.
5. Compruebe que la unidad esté nivelada de adelante hacia atrás y de lado a lado. Haga los ajustes necesarios. La superficie superior de la unidad debe estar aproximadamente  $\frac{1}{8}$ " (3 mm) debajo de la encimera.
6. Asegure el soporte a la superficie contigua.

### INSTALACIÓN ANTIVUELCO MONTADA EN EL PISO (para aplicaciones independientes)

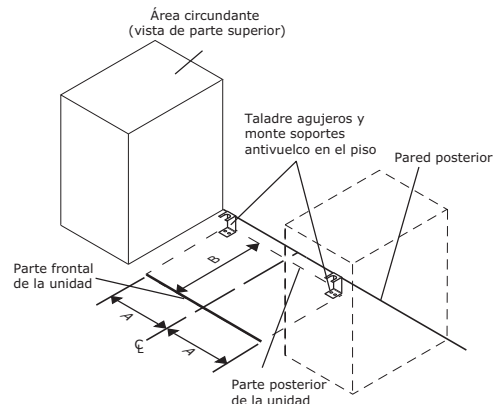
1. Localice dos soportes antivuelco incluidos con el kit.
2. Coloque la unidad en el área donde se instalará. Compruebe que la puerta, los lados y la parte superior se ajusten correctamente. También haga una prueba para asegurarse de que la puerta se abra y cierre libremente.
3. Retire la rejilla y coloque una marca en el piso en la parte frontal de la unidad. También coloque una marca en el piso en el centro de la unidad.
4. Retire la unidad. Usando un cuadrado, extienda la línea central "B" (vea la tabla a continuación). Esta

línea sirve como borde posterior para los soportes antivuelco. Desde la línea central, mida "A" a la izquierda y a la derecha. Esta línea es el borde exterior de cada soporte.



	515	524
A	7 $\frac{5}{8}$ " (194 mm)	11 $\frac{15}{16}$ " (303 mm)
B	22" (558 mm)	22" (558 mm)

5. Coloque los soportes antivuelco en el piso contra la línea dibujada para el borde exterior. Marque puntos para los agujeros de los tornillos.

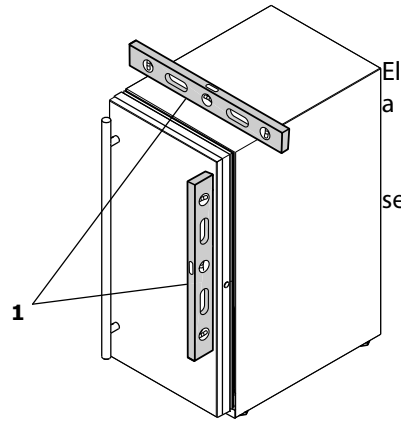


6. Use un taladro de  $\frac{1}{8}$ " para hacer dos agujeros iniciales y sujete los soportes antivuelco al piso con los tornillos provistos.
7. Vuelva a colocar la unidad en su sitio, asegúrese de que las patas encajen correctamente en los soportes antivuelco. Compruebe la alineación de las líneas hechas en el piso en el paso 3 con la posición de las patas delanteras para asegurar una posición adecuada.

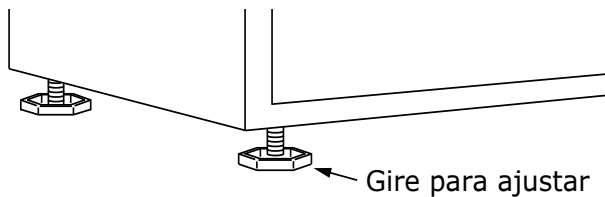
# Instalación

## INFORMACIÓN DE NIVELACIÓN

1. Use un nivel para confirmar que la unidad está nivelada. El nivel debe colocarse lo largo del borde superior y el borde lateral como muestra.



2. Si la unidad no está nivelada, ajuste las patas en las esquinas de la unidad según sea necesario.



3. Confirme que la unidad esté nivelada después de cada ajuste y repita los pasos anteriores según sea necesario.

## CONSEJO DE INSTALACIÓN

Si el piso de la habitación es más alto que el piso en la abertura de encastrado, ajuste las patas traseras para lograr una altura posterior total de la unidad de  $\frac{1}{8}$ " (3 mm) menos que la altura posterior de la abertura. Acorte la altura de la unidad en la parte frontal ajustando las patas frontales. Esto permite que la unidad se incline suavemente hacia la abertura. Reajuste las patas frontales para nivelar la unidad después de colocarla correctamente en la abertura.

1. Enchufe el cable de alimentación/eléctrico.
2. Empuje suavemente la unidad a su sitio. Tenga cuidado de no enredar el cable o las líneas de agua y drenaje, si corresponde.
3. Compruebe de nuevo la nivelación, de adelante hacia atrás y de lado a lado. Haga los ajustes necesarios. La superficie superior de la unidad debe estar aproximadamente a  $\frac{1}{8}$ " (3 mm) debajo de la encimera.
4. Instale el soporte antivuelco.
5. Retire el material de embalaje interior y limpie el interior de la unidad con un paño limpio humedecido en agua.

## Instalación de la rejilla

### RETIRO E INSTALACIÓN DE LA REJILLA



Desconecte el suministro eléctrico de la unidad antes de retirar la rejilla.  
Al usar la unidad, la rejilla debe estar instalada.



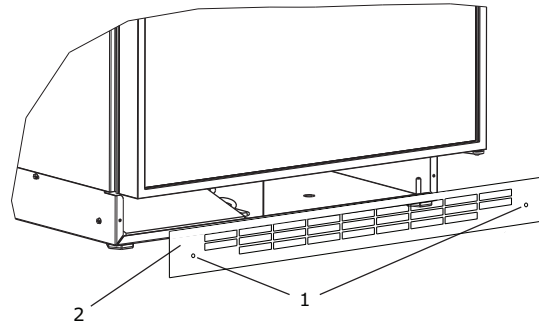
NO TOQUE las aspas del condensador. Las aspas del condensador son AFILADAS y pueden dañarse fácilmente.

#### Retiro de la rejilla

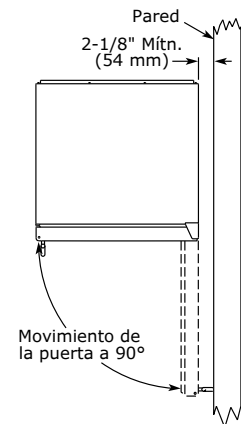
1. Desconecte la alimentación de la unidad.
2. Afloje los dos tornillos (1).
3. Retire la rejilla (2) de la unidad.

#### Instalación de la rejilla

1. Alinee los orificios del mueble y la rejilla, y fíjelos, pero no apriete demasiado los tornillos de la rejilla (1).
2. Vuelva a conectar la alimentación a la unidad.



## Movimiento de la puerta



Acero inoxidable, blanco y negro

Las unidades tienen cero espacio libre para que la puerta se abra 90°, cuando se instala junto a los muebles.

Los modelos de acero inoxidable requieren un espacio libre de puerta de 2 1/8" (54 mm) para adecuar la manija si se instala junto a una pared.

# Instalación

## Ajustes de la puerta

### ALINEACIÓN Y AJUSTE DE LA PUERTA

Alinee y ajuste la puerta si no está nivelada o si no se sella correctamente. Si la puerta no está sellada, es posible que la unidad no se enfríe correctamente o que se forme escarcha o condensación excesiva en el interior.

### AVISO

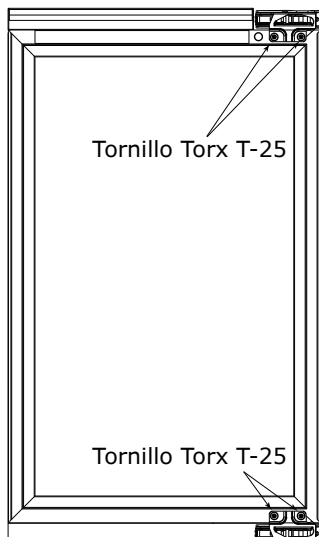
Alineada adecuadamente, la junta de la puerta debe estar firmemente en contacto con el mueble alrededor de la puerta (sin espacios). Examine cuidadosamente la junta de la puerta para asegurarse de que esté firmemente en contacto con el mueble. También asegúrese de que la junta de la puerta no esté apretada en el lado de la bisagra de la puerta.



No intente usar la puerta para elevar o girar su unidad. Esto pondría una tensión excesiva en el sistema de bisagras.

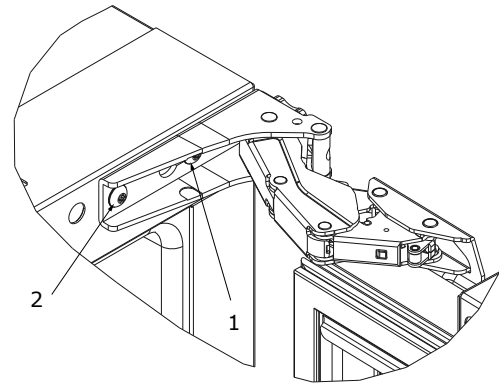
### Procedimiento de alineación y ajuste

1. Abra la puerta y retire la junta cerca de las bisagras.
2. Usando una broca Torx T-25, afloje cada par de tornillos de cabeza Torx en las placas de bisagra superior e inferior.
3. Encuadre y alinee la puerta según sea necesario.
4. Ajuste los tornillos de cabeza Torx en la bisagra.
5. Vuelva a instalar la junta en el canal, comenzando por la esquina.



### INVERSIÓN DE LA PUERTA

1. Abra la puerta.
2. Con la broca Torx T-25, afloje el tornillo n.º 1 y retire el tornillo n.º 2 en la bisagra superior e inferior. Deslice y retire la puerta de la unidad.



**Nota:** Una bisagra incluye un separador de metal. Se debe usar un espaciador con esa bisagra al invertir la puerta.

3. Retire las tapas de las cabezas de los tornillos en el lado opuesto (2 en la parte superior y 2 en la parte inferior). Con la broca Phillips n.º 2, retire los 4 tornillos subyacentes. Vuelva a instalar los tornillos y las tapas en el lado opuesto.
4. Instale parcialmente el tornillo n.º 1 en la mayoría de los orificios exteriores en la parte superior e inferior. Gire la puerta 180°, alinee la bisagra sobre el tornillo n.º 1 y deslice/asiente en su sitio. Vuelva a instalar el tornillo n.º 2 en la parte superior e inferior. Ajuste ambos tornillos e instale la cubierta de la bisagra.



### Alineación y ajuste de la puerta:

Alinee y ajuste la puerta (vea ALINEACIÓN Y AJUSTE DE LA PUERTA).



# Instrucciones de funcionamiento

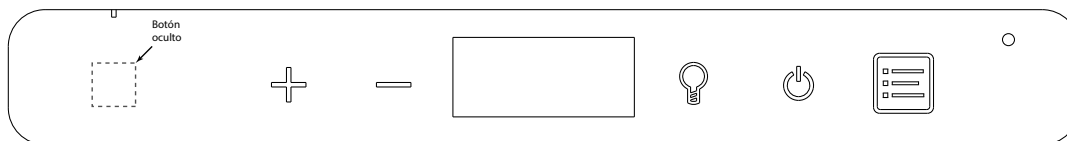
## Primer uso

El primer inicio no requiere ajustes. Cuando se enchufa, la unidad comenzará a funcionar con la configuración predeterminada de fábrica. Si la unidad se apagó durante la instalación, simplemente presione  y la unidad se encenderá inmediatamente. Para apagar la unidad, presione .

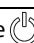




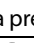
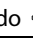






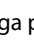

**AVISO:** La temperatura mostrada refleja la temperatura real dentro de la unidad.

Si la temperatura que se muestra es diferente a la seleccionada, la unidad está progresando hacia la temperatura seleccionada. El tiempo para alcanzar el punto de ajuste varía según la temperatura ambiente, la temperatura del producto cargado, las veces que se abrieron las puertas, etc. Viking recomienda permitir que la unidad alcance los puntos de ajuste antes de cargar productos.

## Funcionamiento del control

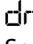


### GUÍA DE FUNCIONES DE CONTROL

FUNCIÓN	COMANDO	NOTAS												
ENCENDIDO/APAGADO	Presione  y suelte	La unidad se encenderá o apagará inmediatamente.												
Ajustar la temperatura	Presione  o  y suelte	Cuando la pantalla parpadee, presione  o  para ajustar la temperatura de punto de ajuste. Nota: la temperatura mostrada es la temperatura real dentro de la unidad.												
Alternar entre °F/°C	Mantenga presionado  y  por 5 segundos	Se cambiarán las unidades en la pantalla												
Dejar la luz interior encendida	Presione  y suelte para dejar la luz interior encendida durante 12 horas; presione nuevamente para desactivarla	Después de 12 horas, se restaura la configuración predeterminada de fábrica; la luz se encenderá cuando la puerta esté abierta.												
Ocultar pantalla	Mantenga presionado el botón oculto y presione 	La pantalla se apagará cuando la puerta esté cerrada. La unidad continuará funcionando. Repita el comando para encender la pantalla.												
Ajustar el color de la luz	Mientras mantiene presionado  , presione y suelte  para desplazarse por las opciones de iluminación	<table border="1"> <thead> <tr> <th>Opción</th> <th>Puerta abierta</th> <th>Puerta cerrada</th> </tr> </thead> <tbody> <tr> <td>00</td> <td>Blanco</td> <td>Blanco</td> </tr> <tr> <td>01</td> <td>Azul</td> <td>Azul</td> </tr> <tr> <td>02</td> <td>Blanco</td> <td>Azul</td> </tr> </tbody> </table> <p>La luz se establecerá en intensidad completa cuando la puerta esté abierta, y al 50 % de intensidad cuando la puerta esté cerrada.</p>	Opción	Puerta abierta	Puerta cerrada	00	Blanco	Blanco	01	Azul	Azul	02	Blanco	Azul
Opción	Puerta abierta	Puerta cerrada												
00	Blanco	Blanco												
01	Azul	Azul												
02	Blanco	Azul												
Habilitar el modo Sabbat	Presione  y manténgalo presionado por 5 segundos y suelte	El símbolo °F/°C parpadeará brevemente después de 5 segundos. La luz interior y la pantalla se apagaran y permanecerán así hasta que el usuario restablezca el modo; la unidad continúa funcionando.												
Deshabilitar el modo Sabbat	Presione  y suelte	La pantalla y la luz interior vuelven al funcionamiento normal.												
Modo Exposición:	Mantenga presionado  y  por 5 segundos	El símbolo °F/°C parpadeará. La pantalla se encenderá y la luz interior funcionará. La unidad no enfriará. Repita el comando para volver al funcionamiento normal.												

### NOTIFICACIÓN DE ALERTA DE LA PUERTA

Cuando la puerta se deja abierta por más de 5 minutos:

- Sonará un tono durante varios segundos cada minuto.
-  aparecerá en la pantalla.
- Se cerrará la puerta para silenciar alerta y restablecer.

Esta unidad tiene certificación Star-K. Revise [www.star-k.org](http://www.star-k.org) para obtener más detalles.

# Instrucciones de funcionamiento

## Flujo de aire y carga de productos

### FLUJO DE AIRE

#### Externo

- No bloquee la rejilla frontal: no se necesita espacio libre adicional alrededor de los lados, la parte superior o posterior de la unidad para la ventilación.
- No lo instale detrás de una puerta cerrada.

#### Interno

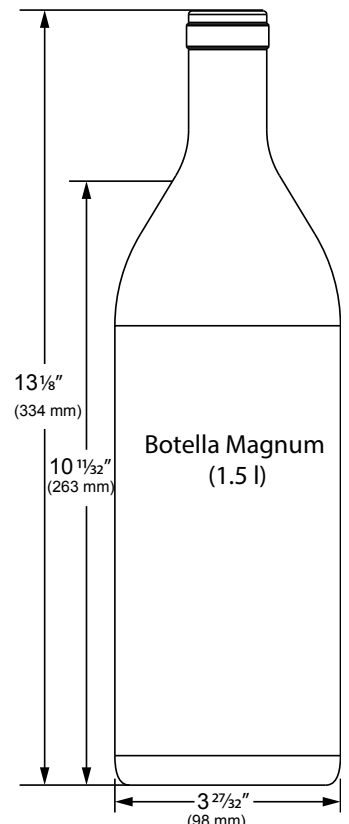
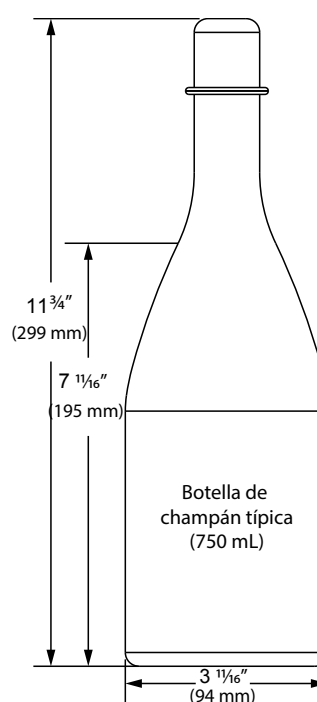
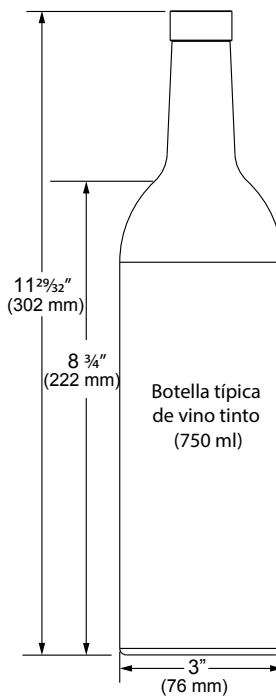
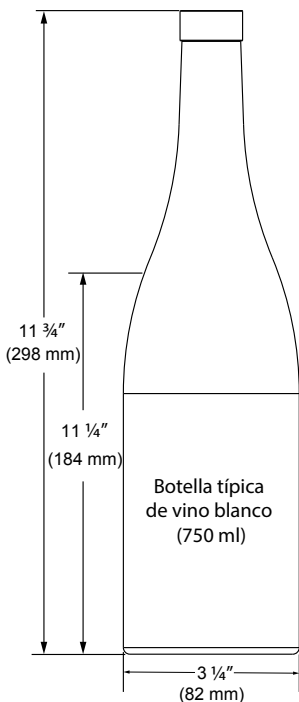
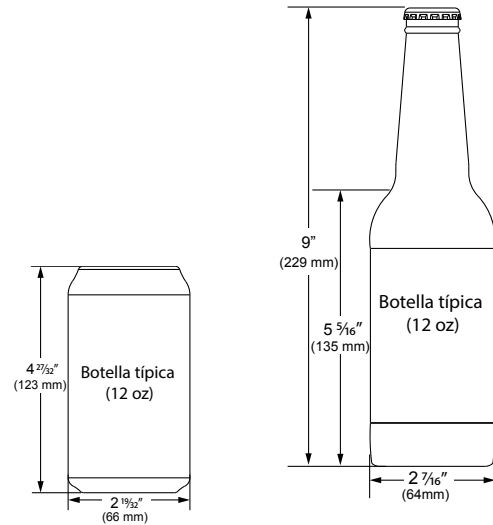
- Al cargar, deje espacio entre los ventiladores internos, la ventilación y las paredes laterales para permitir que el aire circule libremente.

### CARGA DE LOS PRODUCTOS

Las botellas y latas vienen en todas las formas y tamaños. Al determinar las capacidades, consulte los siguientes tamaños. Se utilizan combinaciones de botellas de vino rojo y blanco en cavas y centros de bebidas.

### AVISO

La restricción del flujo de aire puede dar como resultado un rendimiento deficiente del producto, la falla del producto y temperaturas internas desiguales, y puede congelar el contenido.



# Instrucciones de funcionamiento

## Ajustes interiores

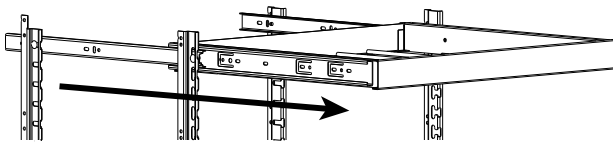
Todos los modelos de la Serie 5 cuentan con soportes de botelleros montados a los laterales con 19 posiciones de ajuste.

Todos los bodega bajo encimera se envían con 7 botelleros. Retire y vuelva a colocar según lo desee.

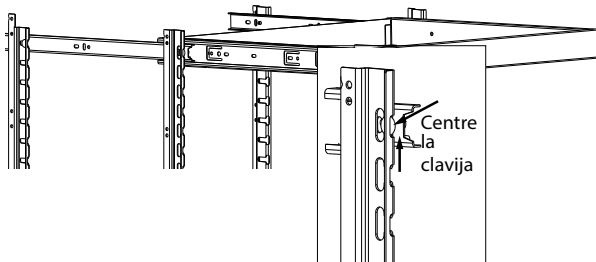
## AJUSTE DEL BOTELLERO

### Retiro del botellero

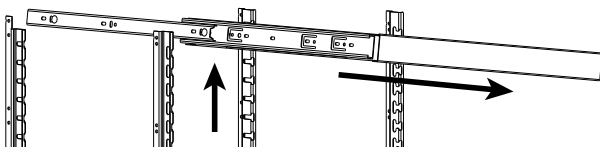
1. Extienda el botellero vacío en su totalidad.



2. Sujete firmemente ambos lados del botellero y levante ligeramente el extremo frontal del botellero (aproximadamente 1/4") para centrar la clavija en la ranura.



3. Tire del botellero hacia usted hasta que todas las clavijas estén libres de las ranuras. Si solo cambia la posición del botellero, no lo retire por completo; vaya al paso 2, "Instalación de botelleros".
4. Incline ligeramente un lado. Jale suavemente el botellero hacia usted para retirarlo de la unidad.



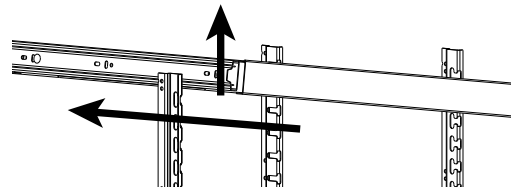
Nota: tenga cuidado al retirar el botellero para evitar rayar el interior de la unidad.

5. Una vez retirado, retraiga los rieles.

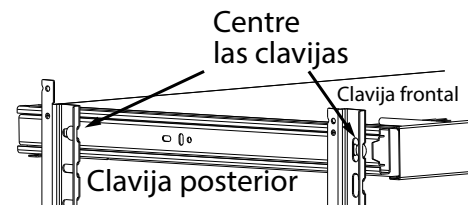
Nota: los rieles en el botellero tienen una capa delgada que se usa para bloquear la humedad y proporcionar lubricación. Tenga cuidado al manipularlos.

### Instalación de botelleros

1. Inserte el botellero vacío en la unidad con un lado inclinado ligeramente hacia abajo hasta que la clavija posterior esté entre los soportes del riel frontal y posterior.



2. Incline el botellero hacia una posición horizontal y alinee 2 clavijas posteriores con los soportes de riel posteriores.



3. Alinee 2 clavijas posteriores con 2 ranuras posteriores, y 2 clavijas frontales con 2 ranuras frontales.
4. Continúe insertando el botellero hasta que las cuatro clavijas estén completamente insertadas. La parte frontal del botellero se colocará ligeramente en las ranuras frontales y se bloqueará en el sitio.

## Instrucciones de funcionamiento

### Opciones de almacenamiento de vino

#### POSICIÓN DE LA BOTELLA EN EL BOTELLERO

Los botelleros horizontales especialmente diseñados colocan las botellas de manera adecuada para que el vino permanezca en contacto con el corcho, lo que garantiza que el corcho no se seque.

Los botelleros están diseñados para adecuar botellas de vino típicas de 750 ml de la siguiente manera:

#### Modelos de centro de bebidas de 15" VUBV515

4 botellas



#### Modelos de centro de bebidas de 24" VUBV524

7 botellas



## Instrucciones de funcionamiento

### Guía de vinos

#### MIRAR DETRÁS DE LA ETIQUETA

Para la mayoría, el vino es un delicioso misterio. Lo compramos, lo descorchamos y saboreamos su sabor y belleza. Pero hay mucho más en la verdadera apreciación del vino. Muchos secretos son simplemente demasiado buenos para mantenerlos ocultos.

#### SUGERENCIAS DE SELECCIONES DE VINO

Seleccionar el vino adecuado para la ocasión adecuada a veces puede ser una tarea aparentemente incómoda o difícil para el entusiasta del vino principiante. Por lo tanto, nos gustaría presentarle algunas sugerencias que pueden brindar un poco más de confianza y disfrute al elegir y servir sus vinos.

Al seleccionar vinos, tenga una mente abierta y no tenga miedo de aventurarse. No vea el tema del vino de forma tan seria que lo desanime de aprender y descubrir por temor a pasar vergüenza si algo es incorrecto. El vino se ve mejor como un pasatiempo y disfrute.

Al armar su colección, trate de no obsesionarse con los "vintage". Aunque una tabla puede ser una herramienta útil, las generalizaciones sobre un año específico han llevado a la decepción a más de un coleccionista. A menudo, un "año libre" proporcionará un mejor valor y un mayor disfrute de la bebida.

La pauta principal para el tema del vino es su propio paladar. No tenga miedo de cometer errores. Experimente, descubra, pero sobre todo, diviértase y disfrute de su nuevo producto.

### Guía de estilos comunes de vino

Vinos tintos		
De cuerpo completo, seco	California Francia Italia	Zinfandel, Cabernet Rhone, Chateauf-neuf-du-Pape Barbaresco, Barolo
De cuerpo medio, seco	California Francia	Pinot Noir de Burdeos y borgoña
De cuerpo ligero, seco	Francia Italia	Beaujolais, Chianti, Bardolino
Vinos blancos		
De cuerpo completo, seco	California Francia	Chardonnay Montrachet, Meursault Puligny-Montrachet
De cuerpo medio, seco	California Francia	Sauvignon-Blanc Pouilly-Fuisse, Sancerre, Vouvray, Graves
De cuerpo ligero, seco	Francia	Chablis, Muscadet, Pouilly-Fume
De cuerpo completo, muy dulce	Alemania Francia Hungria	Beerenauslese Sauternes Tokay
De cuerpo medio, semidulce	California Alemania	Gewurtztraminer Liebfraumilch
De cuerpo ligero, semiseco	Alemania	Rin, Mosel Riesling

### Maridaje de comida y vino

Aunque no existen reglas estrictas para el maridaje del vino con la comida, tenga en cuenta algunas pautas. Los platos delicados deben ir acompañados de vinos más ligeros y delicados. Las comidas con sabores completos deben combinarse con vinos de cuerpo completo.

Como regla general, uno debe aspirar a ascender en el sabor y la calidad de los vinos servidos.

Sirva un:	Antes de un:
Vino SECO	Vino DULCE
Vino BLANCO	Vino TINTO
Vino JOVEN	Vino VIEJO
Vino DE CUERPO LIGERO	Vino DE CUERPO COMPLETO

Se notará cualquier retroceso en la calidad. Si se prueba un vino fino antes que un vino de menor calidad, se pueden perder muchas de las cualidades sutiles del vino fino.

## Instrucciones de funcionamiento

### Maridaje común de comidas y vinos

Alimentos	Vinos
Pescados, mariscos, cangrejo, ostras	Vinos blancos secos, espumosos ligeros o champán extraseco
Carne de res, venado	Vinos tintos de cuerpo completo
Cerdo, ternera, cordero y aves	Vinos tintos de cuerpo ligero
Fruta	Vinos blancos dulces y espumosos

### Un brindis por las verdades del vino

Al igual que las uvas, muchos mitos del vino se han cultivado a lo largo de los siglos.

**Mito 1:** la mayoría de los vinos saben mejor cuando se añejan.

**Verdad:** de hecho, menos del 5 % de los vinos producidos hoy están destinados a ser añejados. La mayoría de los vinos son elaborados para ser consumidos dentro de los primeros uno o dos años.

**Mito 2:** los vinos deben descorcharse y decantarse para que puedan "respirar".

**Verdad:** ¿Dejar o no dejar respirar? Si bien es mejor permitir que un tinto tánico joven respire en una copa o decantador para ablandar los taninos, un tinto viejo alcanza una etapa en su vida donde debe disfrutarse poco después de abrirse. Deje que un tinto viejo respire por un corto tiempo para disipar los malos olores. La mayoría de los vinos blancos se pueden servir, idealmente, de 10 a 15 minutos después de abrirlo.

**Mito 3:** cuando los vinos dignos de la edad alcanzan su punto máximo, deben consumirse casi de inmediato.

**Verdad:** la mayoría de los grandes vinos alcanzan un período de estancamiento en lugar de un punto máximo. Un Gran Burdeos puede tener un período de estancamiento de hasta 10 años antes de desvanecerse.

**Mito 4:** el color del vino no cambia al añejarse.

**Verdad:** a medida que los vinos tintos añejan, adquieren un color más claro; mientras que los vinos blancos, se oscurecen.

### El corcho: un misterio en sí mismo

Presentación del corcho. El ritual de la presentación del corcho tiene una historia rica y fascinante que data de finales de 1800. Una devastación de la filoxera (piojo de raíz) en los viñedos limitó severamente el suministro de vinos de gran calidad. Los dueños de restaurantes eliminaban las etiquetas de los vinos inferiores y los reemplazaban con etiquetas de vinos superiores. Esto hizo necesario que los usuarios se protegieran revisando la marca en el corcho para asegurarse de que lo que ordenaban era, de hecho, lo que les servían.

Cuando se le presente un corcho hoy, siéntalo para verificar su integridad, lea y coteje la marca del corcho con la botella, y déjelo a un lado. Hay poco que aprender del corcho. La prueba está en el vino.

Vinos "acorchados". Si alguna vez ha tenido un vino que olía o sabía a moho, ha experimentado un vino que puede haber sido "acorchado". Hoy, entre el cinco y el ocho por ciento de los vinos están contaminados con tricloroanisol (TCA). Esta sustancia, que se encuentra naturalmente en plantas y árboles, se introduce en el vino a través del corcho. Los vinos acorchados son una preocupación importante para los enólogos, ya que destruye millones de cajas por año y pone en juego la reputación. Por sorprendente que parezca, las tapas de rosca pueden ofrecer una mejor alternativa; muchas grandes bodegas en California, Australia y Nueva Zelanda son pioneras en esta tendencia.

# Instrucciones de funcionamiento

## Términos comunes de degustación

Terminología	Descripción
Acidez	Un elemento crítico del vino que se encarga de preservar la frescura del vino. El exceso de acidez da como resultado un vino excesivamente ácido y agrio.
Equilibrio	Un rasgo deseado donde el tanino, la fruta y la acidez están en total armonía. Los vinos con buen equilibrio tienden a añejar con gracia.
Cuerpo	El peso y la presencia de vino en boca que le dan el nivel de alcohol y taninos. Los vinos con cuerpo tienden a tener esta fuerte concentración.
Bouquet	La mezcla del aroma de un vino dentro de la botella durante un período de tiempo, causado por la acidez volátil.
Complejo	Un término subjetivo de uso frecuente en la cata. Se dice que un vino es complejo si ofrece una variedad de sabores y aromas que continúan evolucionando a medida que se desarrolla.
Blando	Un vino que carece de estructura, o es pesado para el sabor, que carece de acidez.
De cuerpo completo	El vino rico en alcohol y extracto, en general, llena la boca, es potente.
Ligero	Generalmente describe vinos con poco cuerpo, que carecen de generosidad o delgados.
Roble	Un sabor deseable introducido al vino si se hace con moderación. La mayoría de los vinos se añejan en barricas de roble de uno a tres años, por lo que reciben esta característica de roble tostado. Sin embargo, si un vino débil se deja en contacto demasiado tiempo con un barril de roble, tenderá a ser dominado por un sabor a roble.
Tanino	Los taninos se extraen de las pieles y tallos de la uva y son necesarios para un vino tinto equilibrado. Los taninos se identifican fácilmente en la cata de vinos como la sensación de sequedad sobre las encías. Los taninos generalmente se desvanecen a medida que el vino añeja.

Temperatura	Vinos
Aproximadamente de 60 °F (15 °C)	Tinto
De 50 °F a 55 °F (10 °C a 12 °C)	Blanco
Aproximadamente a 45 °F (7 °C)	Espumoso

## CONSIDERACIONES IDEALES DE ALMACENAMIENTO DE VINO

**Temperatura:** el elemento más importante de la temperatura de almacenamiento es la estabilidad. Si el vino se mantiene en un entorno estable entre 40 °F (7 °C) y 65 °F (21 °C), permanecerá en buen estado. Es aceptable una pequeña fluctuación de temperatura de 1 a 2 grados dentro de un entorno estable. Las fluctuaciones de temperatura más grandes pueden afectar la capacidad de sellado del corcho, lo que permite que el vino se "escape" de la botella.

**Humedad:** la visión tradicional de la humedad sostiene que los vinos deben almacenarse de lado en un 50 % a 80 % de humedad relativa para garantizar la humedad del corcho y el ajuste adecuado en la botella. La sabiduría contemporánea sugiere que la superficie del corcho es demasiado pequeña para que la afecte la humedad. Además, el corcho está sellado con una cápsula de metal o cera que hace imposible la penetración de humedad. El concepto de un entorno de almacenamiento húmedo se deriva de la necesidad de las bodegas de mantener la humedad en sus cavas para mantener hinchadas las duelas del barril de madera, lo que evita la evaporación del vino y la pérdida de productos. De hecho, los viñedos estiman hasta un 10 % de pérdida de producto por año debido a la evaporación mientras el vino se añeja en los barriles de madera. Sin embargo, la humedad no estaba destinada para la cava moderna, donde el vino se almacena en botellas de vidrio con corchos sellados.

**Luz:** los rayos UV no solo son perjudiciales para las personas, sino que también son perjudiciales para los vinos, especialmente aquellos en botellas transparentes. Dado que las moléculas de oxígeno en el vino absorben los rayos UV, el vino nunca debe almacenarse en la luz directa durante largos períodos de tiempo.

**Vibración:** siempre que el sedimento se deje sin distribuir y las partículas no se suspendan, la vibración en un entorno de almacenamiento no es un problema. Los vinos pueden volverse planos o cansados cuando se crean vacíos dentro de la botella de vino. Para crear vacíos dentro de un líquido, tendría que ocurrir un movimiento agresivo o agitación de la botella de vino.

# Mantenimiento

## Limpieza

### Modelos inoxidables

Los paneles, las manijas y los marcos de las puertas de acero inoxidable pueden decolorarse cuando se exponen al gas de cloro, productos químicos para piscinas, agua salada o limpiadores con cloro.

Mantenga su unidad de acero inoxidable como nueva limpiándola con un limpiador y abrillantador de acero inoxidable todo en uno de buena calidad mensualmente. Para obtener los mejores resultados, utilice el abrillantador y limpiador de acero inoxidable Claire®. Los productos similares son aceptables. La limpieza frecuente eliminará la contaminación de la superficie que podría producir óxido. Algunas instalaciones pueden requerir limpieza semanal.

**No limpie con esponjas de lana de acero.**

**No use limpiadores o abrillantadores de acero inoxidable en ninguna superficie de vidrio.**

Limpie cualquier superficie de vidrio con un limpiador de vidrio sin cloro.

**No use limpiadores que no estén específicamente diseñados para acero inoxidable en superficies de acero inoxidable (esto incluye limpiadores de vidrio, azulejos y encimeras).**

Si aparece cualquier decoloración u oxidación superficial, límpiela rápidamente con Bon Ami® o con el limpiador Barkeepers Friend® y un paño no abrasivo. Limpie siempre en la dirección del grano. Siempre termine con el abrillantador y limpiador de acero inoxidable Claire® o un producto similar para evitar más problemas.

**El uso de almohadillas abrasivas como ScotchBrite™ hará que el grano en el acero inoxidable se vuelva borroso.**

**El óxido que no se limpia rápidamente puede penetrar en la superficie del acero inoxidable y la eliminación completa del óxido puede no ser posible.**

### Modelos integrados

Para limpiar los paneles integrados, use un limpiador doméstico según las recomendaciones del fabricante del mueble.

## LIMPIEZA INTERIOR

Desconecte la alimentación de la unidad.

Limpie el interior y todos los componentes retirados con un detergente suave no abrasivo y una solución tibia aplicada con una esponja suave o un paño no abrasivo.

Enjuague el interior con una esponja suave y agua limpia.

**No utilice limpiadores a base de solventes o abrasivos.** Estos tipos de limpiadores pueden transferir sabor u olor a los productos interiores y dañar o decolorar el interior.

## DESCONGELACIÓN

En condiciones normales, esta unidad no requiere descongelación manual. Una escarcha leve en la pared posterior o visible a través de la ventilación de la placa del evaporador es normal y se derretirá durante cada ciclo.

Si hay una acumulación excesiva de 1/4" (6 mm) o más, descongele manualmente la unidad.

Asegúrese de que la puerta se cierre y selle correctamente.

La temperatura ambiente alta y la humedad excesiva también pueden producir escarcha.



**NO use un picahielo u otro instrumento afilado para acelerar la descongelación. Estos instrumentos pueden perforar el revestimiento interior o dañar la unidad de enfriamiento. NO use ningún tipo de calentador para descongelar. El uso de un calentador para acelerar la descongelación puede causar lesiones personales y daños al revestimiento interior.**

## AVISO

**La bandeja de drenaje no fue diseñada para capturar el agua generada al descongelar manualmente. Para evitar que el agua se desborde de la bandeja de drenaje y posiblemente dañe el piso sensible al agua, la unidad debe retirarse de los muebles.**

Para descongelar:

1. Desconecte la alimentación de la unidad.
2. Retire todos los productos del interior.
3. Coloque la puerta en una posición abierta (2 pulgadas [50 mm] como mínimo).
4. Deje que la escarcha se derrita naturalmente.
5. Después de que la escarcha se derrita por completo, limpie el interior y todos los componentes retirados (revise LIMPIEZA INTERIOR).
6. Cuando el interior esté seco, vuelva a conectar la alimentación y encienda la unidad.



# Mantenimiento

## Limpieza del condensador

### INTERVALO: CADA SEIS MESES

Para mantener la eficiencia operativa, mantenga la rejilla frontal libre de polvo y pelusas, y limpie el condensador cuando sea necesario. Dependiendo de las condiciones medioambientales, puede ser necesaria una limpieza más o menos frecuente.

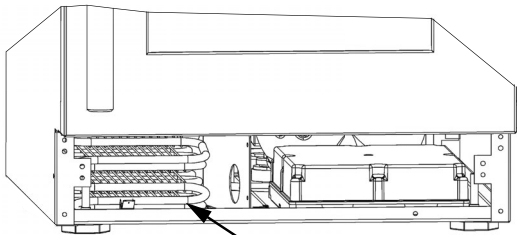
#### **ADVERTENCIA**

Desconecte el suministro eléctrico de la unidad antes de limpiar el condensador.

#### AVISO

**NO use ningún tipo de limpiador en la unidad del condensador. El condensador se puede limpiar con una aspiradora, un cepillo suave o aire comprimido.**

1. Retire la rejilla. (revise INSTALACIÓN DE LA REJILLA).
2. Limpie la bobina del condensador con un cepillo suave o una aspiradora.
3. Instale la rejilla.



Condensador

## Períodos prolongados en los que no se usa VACACIONES/FESTIVIDADES, APAGADO PROLONGADO

Se recomiendan los siguientes pasos para períodos prolongados en los que no se usa:

1. Retire todo el contenido consumible de la unidad.
2. Desconecte el cable de alimentación del tomacorriente y déjelo desconectado hasta que la unidad vuelva a utilizarse.
3. Si hay hielo visible dentro de la unidad, permita que el hielo se descongele naturalmente.
4. Limpie y seque el interior de la unidad. Asegúrese de que se haya eliminado toda el agua de la unidad.
5. La puerta debe permanecer abierta para evitar la formación de moho y hongos. Abra la puerta un mínimo de 2" (50 mm) para proporcionar la ventilación necesaria.

## ACONDICIONAMIENTO PARA EL INVIERNO

Si la unidad estará expuesta a temperaturas de 40 °F (5 °C) o menos, se deben seguir los pasos anteriores.

Si tiene preguntas sobre el acondicionamiento para el invierno, llame al Servicio Preferente de Viking al (888) 845-4641.

#### **PRECAUCIÓN**

Los daños causados por temperaturas de congelación no están cubiertos por la garantía.

## Resolución de problemas

### ANTES DE LLAMAR AL SERVICIO TÉCNICO

Si cree que su producto no funciona correctamente, lea la sección FUNCIONAMIENTO DEL CONTROL para entender mejor la función del control.

Si el problema persiste, lea las secciones de GUÍA PARA RESOLUCIÓN DE PROBLEMAS Y SONIDOS NORMALES DE FUNCIONAMIENTO a continuación para ayudarlo a identificar rápidamente problemas comunes y posibles causas y soluciones. En la mayoría de los casos, esto resolverá el problema sin la necesidad de solicitar servicio técnico.

### SI SE REQUIERE SERVICIO TÉCNICO

Si no comprende una solución de la resolución de problemas, o si su producto necesita servicio técnico, comuníquese con Viking Preferred Service directamente al (888) 845-4641.

Cuando llame, necesitará el modelo de su producto y los números de serie. Esta información aparece en la placa del número de modelo y de serie ubicada en la pared superior derecha o posterior del interior de su producto.

### SONIDOS NORMALES DE FUNCIONAMIENTO

Todos los modelos incorporan muebles rígidos con aislamiento de espuma para proporcionar alta eficiencia térmica y máxima reducción de sonido para sus componentes internos de trabajo. A pesar de esta tecnología, su modelo puede emitir sonidos que le sean desconocidos.

Los sonidos normales de funcionamiento se pueden percibir más debido al entorno de la unidad. Las superficies duras como muebles, pisos de madera, vinilo o baldosas y paredes con paneles tienen una tendencia a reflejar los sonidos normales de funcionamiento del aparato.

## Mantenimiento

A continuación se enumeran los componentes de refrigeración comunes con una breve descripción de los sonidos normales de funcionamiento que hacen. **NOTA:** Su producto puede no contener todos los componentes enumerados.

- **Compresor:** el compresor emite un zumbido o un sonido intermitente que puede escucharse cuando funciona.
- **Evaporador:** el refrigerante que fluye a través de un evaporador puede sonar como líquido que hierve.
- **Ventilador del condensador:** puede escuchar el aire que se mueve a través del condensador.
- **Bandeja de drenaje de descongelación automática:** puede escucharse que gotea o corre agua hacia la bandeja de drenaje cuando la unidad está en el ciclo de descongelación.

### GUÍA PARA RESOLUCIÓN DE PROBLEMAS

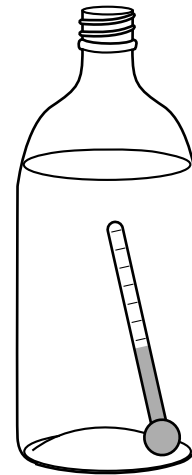


**PELIGRO DE ELECTROCUCIÓN. Nunca intente reparar o realizar mantenimiento en la unidad antes de desconectar el suministro eléctrico principal.**

Resolución de problemas: qué verificar cuando se producen problemas

Problema	Posible causa y solución
La luz interior no se ilumina	Si la unidad está enfriando, puede estar en modo Sabbath.
La luz permanece encendida cuando la puerta está cerrada	Apague el interruptor de la luz si está equipado. Ajuste el soporte del actuador de luz en la parte inferior de la puerta.
La unidad desarrolla escarcha en las superficies internas	Asegúrese de que la puerta se cierre y selle correctamente.
La unidad desarrolla condensación en las superficies externas.	La unidad está expuesta a una humedad excesiva. La humedad se disipará a medida que disminuyan los niveles de humedad.
El producto no está lo suficientemente frío	La temperatura del aire no indica la temperatura del producto. Revise <b>COMPROBACIÓN DE LA TEMPERATURA DEL PRODUCTO</b> a continuación. Ajuste la temperatura a un punto de ajuste más frío. Asegúrese de que la unidad no esté ubicada a temperaturas ambiente excesivas o bajo la luz solar directa. Asegúrese de que la puerta se cierre y selle correctamente. Asegúrese de que la luz interior no haya permanecido encendida demasiado tiempo. Asegúrese de que nada bloquee la rejilla frontal que se encuentra en la parte inferior de la unidad. Asegúrese de que la bobina del condensador esté limpia y libre de suciedad o pelusas.

### COMPROBACIÓN DE LA TEMPERATURA DEL PRODUCTO



**Para verificar la temperatura real del producto en la unidad:**

1. Llene parcialmente una botella de plástico (irrompible) con agua.
2. Inserte un termómetro de precisión.
3. Ajuste bien la tapa de la botella.
4. Coloque la botella en el área deseada durante 24 horas.
5. Evite abrir la unidad durante el período de prueba.
6. Después de 24 horas, verifique la temperatura del agua. Si es necesario, ajuste el control de temperatura en un pequeño incremento (vea **FUNCIONAMIENTO DEL CONTROL**).

**Las causas que afectan las temperaturas internas del gabinete incluyen:**

- Ajustes de temperatura.
- Temperatura ambiente donde está instalado.
- Instalación bajo luz solar directa o cerca de una fuente de calor.
- El número de veces que se abre la puerta y el tiempo en que la puerta permanece abierta
- La hora a la que se ilumina la luz interna. (esto afecta principalmente al producto en el botellero o estante superior).
- Obstrucción del condensador o rejilla frontal.

## Información de servicio técnico

Si necesita asistencia técnica, póngase en contacto con su agencia de servicio técnico autorizado.

Tenga a mano la siguiente información:

- Número de modelo
- Número de serie
- Fecha de compra
- Nombre del distribuidor al que compró la unidad

Describa claramente el problema que tiene. Si no puede obtener el nombre de un centro de servicio autorizado o si continúa teniendo problemas de servicio, póngase en contacto con Viking Range, LLC, llamando al (888) 845-4641, o escriba a:

**VIKING RANGE, LLC  
PREFERRED SERVICE  
111 Front Street  
Greenwood, Mississippi 38930 USA**

Anote la información que se indica a continuación. La necesitará si solicita el servicio técnico alguna vez. El número de serie y los números de modelos de su bodega bajo encimera se hallan en la pared superior, detrás de la luz.

N.º de modelo \_\_\_\_\_

N.º de serie \_\_\_\_\_

Fecha de compra \_\_\_\_\_

Fecha de instalación \_\_\_\_\_

Nombre del distribuidor \_\_\_\_\_

Dirección \_\_\_\_\_

\_\_\_\_\_

Si el servicio técnico requiere la instalación de piezas, use solo piezas autorizadas para asegurar la cobertura de la garantía.

**Conserve este manual para su referencia futura.**

## GARANTÍA DEL BODEGA BAJO ENCIMERA

### GARANTÍA COMPLETA DE DOS AÑOS

Los centros de bodega bajo encimera y todos sus componentes, excepto como se detalla a continuación\*, se garantizan como exentos de defectos en materiales y fabricación con el uso residencial normal por un periodo de dos (2) años desde la fecha de la compra original en la tienda. Viking Range, LLC, el garante, se compromete a reparar o reemplazar, a su elección, cualquier pieza que falle o que se encuentre como defectuosa durante el periodo de garantía.

\*GARANTÍA ESTÉTICA COMPLETA DE NOVENTA (90) DÍAS: Se garantiza que el producto está libre de defectos estéticos en los materiales o en la mano de obra (como rayones en el acero inoxidable, manchas en la pintura/porcelana, etc.) durante un periodo de noventa (90) días desde la fecha de la compra minorista original o la fecha de cierre para la nueva construcción, cualquier periodo que sea más largo. Cualquier defecto debe informarse al distribuidor de ventas en un plazo de noventa (90) días desde la fecha de compra original. Viking Range, LLC utiliza procesos y materiales de alta calidad disponibles para obtener todos los acabados de color. Sin embargo, una variación leve del color puede observarse debido a las diferencias inherentes en las partes pintadas y las partes de porcelana, así como las diferencias en la iluminación de la cocina, las ubicaciones de los productos y otros factores. Por lo tanto, esta garantía no se aplica a la variación de color atribuible a esos factores.

†GARANTÍA COMPLETA DE NOVENTA (90) DÍAS EN APLICACIONES "MÁS ALLÁ DEL USO RESIDENCIAL": Esta garantía completa se aplica a aplicaciones en las cuales el uso del producto se extiende más allá del uso residencial normal, pero el periodo de garantía para los productos utilizados en este tipo de aplicaciones es de noventa (90) días. Entre los ejemplos de aplicaciones cubiertas por esta garantía se encuentran alojamientos con desayuno, estaciones de bomberos, clubes privados, iglesias, etc. Bajo esta garantía "Más allá del uso residencial", el producto, sus componentes y accesorios están garantizados como libres de defectos de material o fabricación por un periodo de noventa (90) días a partir de la fecha de compra original. Esta garantía excluye el uso del producto en todo local comercial como restaurantes, servicios de comidas y servicios institucionales.

### GARANTÍA COMPLETA DE SEIS AÑOS PARA LAS PIEZAS DE REFRIGERACIÓN SELLADAS ENUMERADAS

Se garantiza que todo componente del sistema de refrigeración sellado, como se enumeran a continuación, está libre de defectos en los materiales y en la mano de obra con el uso hogareño normal durante el tercer y sexto año desde la fecha de la compra minorista original. Viking Range, LLC, el garante, se compromete a reparar o reemplazar, a su elección, cualquier pieza que falle o que se encuentre como defectuosa durante el periodo de garantía.

Componentes del sistema de refrigeración sellado: compresor, evaporador, condensador, tubería de conexión, secador/filtro

### GARANTÍA LIMITADA DE DOCE AÑOS PARA LAS PIEZAS DE REFRIGERACIÓN SELLADAS ENUMERADAS

Todo componente del sistema de refrigeración sellado, como se enumera anteriormente, que falle debido a defectos en materiales o fabricación con el uso normal doméstico durante el séptimo al décimo segundo año desde la fecha de compra minorista original será reparado o reemplazado, sin cargo alguno por la pieza misma, y el propietario pagará todos los otros costos, incluida la mano de obra.

### TÉRMINOS Y CONDICIONES

Esta garantía se extiende al comprador original del producto garantizado aquí y a cada persona a quien se transfiera como propietario el producto durante el plazo de la garantía, y corresponde a los productos comprados y ubicados en los Estados Unidos, Canadá, México y el Caribe (esto excluye Cuba, República Dominicana y Haití). Los productos deben haberse adquirido en el país en el que se solicita el servicio técnico. Si el producto o una de sus partes componentes contiene un defecto o desperfecto durante el periodo de garantía completa, después de un número razonable de intentos realizados por el garante para solucionar el defecto o desperfecto, el propietario tiene derecho a un reembolso o reemplazo del producto o de su parte componente o piezas. La sustitución de una parte componente incluye la instalación sin cargo, excepto como se especifica en la garantía limitada. En virtud de los términos de esta garantía, el servicio debe realizarlo un agente o representante de servicio técnico de una fábrica autorizada por Viking Range, LLC. El servicio técnico se prestará durante las horas normales de trabajo. El trabajo realizado en horas extras o a tarifas excepcionales no estará cubierto por esta garantía.

El propietario será responsable de la instalación correcta, de proporcionar el mantenimiento razonable y necesario, de suministrar el comprobante de compra, en caso de que se lo soliciten, y de ofrecer acceso razonable al aparato para el servicio técnico. La devolución de la Tarjeta de registro del propietario no es una condición para la cobertura de la garantía. No obstante, debe devolver la Tarjeta de registro del propietario de modo que Viking Range, LLC pueda contactarlo en caso de que surja alguna pregunta de seguridad que pudiera afectarlo.

Esta garantía le otorga derechos legales específicos, y usted también puede tener otros derechos que pueden variar de acuerdo con la jurisdicción.

QUÉ NO CUBRE ESTA GARANTÍA: Esta garantía no se aplicará a los daños resultantes del abuso, falta de mantenimiento razonable y necesario, accidente, entrega, negligencia, desastres naturales, pérdida de alimentación eléctrica al producto por cualquier razón, alteración, uso al aire libre, instalación inadecuada, funcionamiento inadecuado o la reparación o servicio técnico del producto por parte de cualquier persona que no sea un agente o representante de servicio técnico autorizado por Viking Range, LLC. Esta garantía no se aplica a usos comerciales.

### LIMITACIÓN DE REPARACIONES Y DURACIÓN DE LA GARANTÍA IMPLÍCITA

LA REPARACIÓN ÚNICA Y EXCLUSIVA PARA UN RECLAMO DE CUALQUIER TIPO QUE SEA CON RESPECTO A ESTE PRODUCTO SERÁ EL ESTIPULADO ANTERIORMENTE. VIKING RANGE, LLC NO SE HACE RESPONSABLE POR DAÑOS EMERGENTES O INCIDENTALES; INCLUIDA, ENTRE OTROS, LA PÉRDIDA DE ALIMENTOS O MEDICAMENTOS DEBIDO A LA FALLA DEL PRODUCTO, YA SEA POR INCUMPLIMIENTO DE LA GARANTÍA, INCUMPLIMIENTO CONTRACTUAL O DE OTRA MANERA. Algunas jurisdicciones no permiten la exclusión o limitación de daños incidentales o consecuentes, por lo que la limitación o exclusión anterior puede no aplicarse a su caso. CUALQUIER GARANTÍA IMPLÍCITA DE COMERCIABILIDAD O APTITUD PARA UN PROPÓSITO EN PARTICULAR APLICABLE A ESTE PRODUCTO SE LIMITA, EN CUANTO A SU DURACIÓN, AL PERÍODO DE LA COBERTURA DE LAS GARANTÍAS LIMITADAS EXPRESAS POR ESCRITO APLICABLES EXPUESTAS MÁS ARRIBA. Algunos estados no permiten limitaciones en la duración de una garantía implícita, por lo que la limitación anterior puede no aplicarse a su caso.

### SERVICIO DE GARANTÍA

Para obtener el servicio de garantía, póngase en contacto con un agente o representante de servicio técnico autorizado por Viking Range, LLC o con Viking Range, LLC, 111 Front Street, Greenwood, Mississippi 38930, (888) 845-4641. Proporcione el número de modelo y de serie, y la fecha de compra original o la fecha de cierre en el caso de una construcción nueva. Para obtener el nombre del agente de servicio técnico autorizado por Viking Range, LLC más cercano a usted, llame a Viking Range, LLC.

IMPORTANTE: Conserve el comprobante de compra original para establecer el periodo de garantía.  
Las especificaciones están sujetas a cambios sin previo aviso.

Viking Range, LLC  
111 Front Street  
Greenwood, Mississippi 38930 USA  
(662) 455-1200

Para obtener información del producto, llame al 1-888-(845-4641), o visite nuestro sitio web en [vikingrange.com](http://vikingrange.com)  
073216-000 FR (101519)