

# KAPFENBERG

## WALL MOUNT LAVATORY FAUCET

BF.KG.1410

### Description

- Wall mount lavatory faucet with 7" x 2<sup>3</sup>/<sub>4</sub>" face plate
- Solid brass construction
- 1/2" female NPT connection

### Flow Rate

- 1.5 gpm | 5.7 lpm | 60 psi

### Cartridge

- CE.1715.P - ceramic disk cartridge

### Available Finishes

- Chrome (CC)
- Brushed Nickel (BN)
- Matte Black (MB)

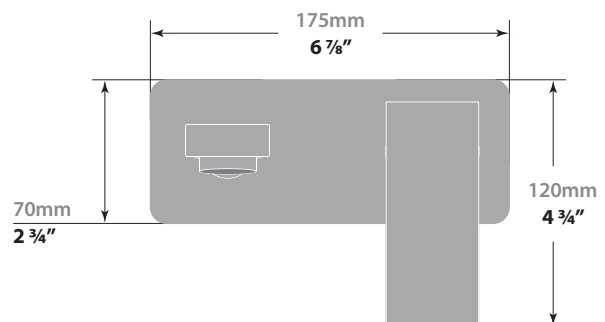
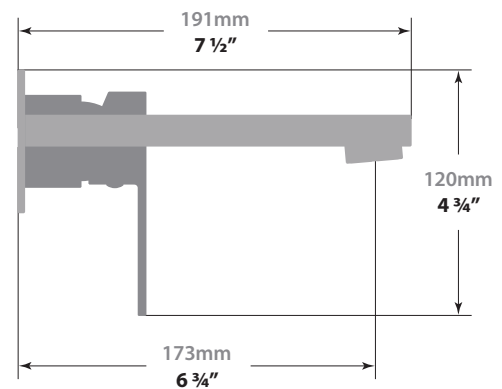
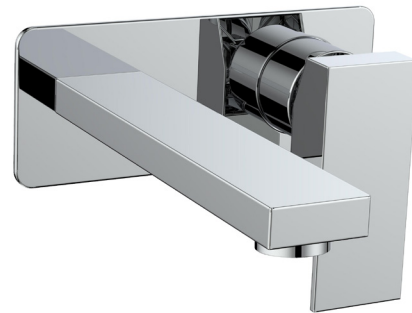
(Model Pictured: Chrome)

### Codes / Standards

- Uniform Plumbing Code (UPC®)
- ASME A112.18.1/CSA B125.1
- NSF 372
- NSF/ANSI 61

### Warranty

- Limited lifetime warranty against all manufacturing defects to the original consumer purchaser (see full warranty for more details)



## **ROUGH-IN** FOR WALL MOUNT LAVATORY FAUCET WITH SINGLE HANDLE

VE.1400

### **Description**

---

- Solid brass construction
- ½" female NPT connection

### **Flow Rate**

---

- 1.5 gpm / 5.7 lpm / 60 psi

### **Cartridge**

---

- CE.1715.P - ceramic disk cartridge

### **Codes / Standards**

---

- Uniform Plumbing Code (UPC®)
- ASME A112.18.1/CSA B125.1

### **Warranty**

---

- Limited lifetime warranty against all manufacturing defects to the original consumer purchaser (see full warranty for more details)

