

DRAVA

8" C.C. WALL MOUNT LAVATORY FAUCET

BF.DA.1500

Description

- 3 piece wall mount lavatory faucet
- Solid brass construction
- ½" female NPT connection
- Adjustable aerator

Flow Rate

- 1.5 gpm | 5.7 lpm | 60 psi

Cartridge

- CE.1700.R - ceramic disk cartridge (cold)
- CE.1700.L - ceramic disk cartridge (hot)

Available Finishes

- Chrome (CC)
- Matte Black (MB)
- Matte Black / Chrome (CB)
- Matte Black / Matte Gold (GB)

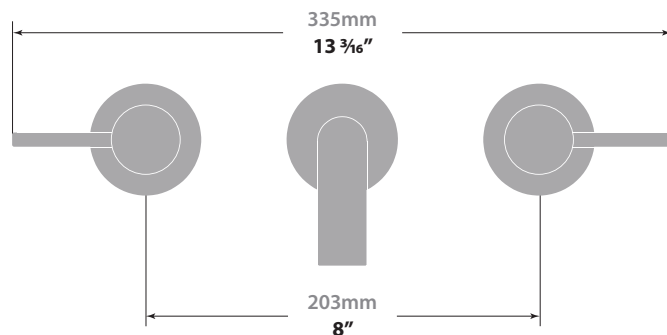
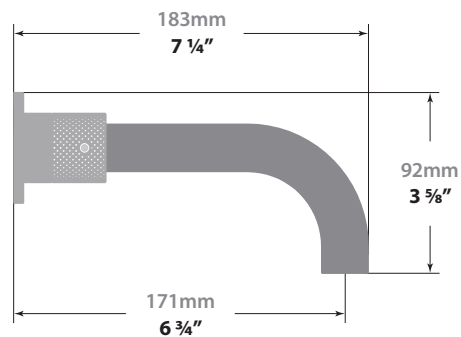
(Model Pictured: Matte Black / Chrome)

Codes / Standards

- Uniform Plumbing Code (UPC®)
- ASME A112.18.1/CSA B125.1
- NSF 372
- NSF/ANSI 61

Warranty

- Limited lifetime warranty against all manufacturing defects to the original consumer purchaser (see full warranty for more details)



Change the direction of the flow with the tip of your finger.

ROUGH-IN FOR 8" C.C. WALL MOUNT LAVATORY FAUCET WITH TWO HANDLES

VE.1500

Description

- Solid brass construction
- ½" female NPT connection

Flow Rate

- 1.5 gpm / 5.7 lpm / 60 psi

Cartridge

- CE.1700.R - ceramic disk cartridge (right turn)
- CE.1700.L - ceramic disk cartridge (left turn)

Codes / Standards

- Uniform Plumbing Code (UPC®)
- ASME A112.18.1/CSA B125.1

Warranty

- Limited lifetime warranty against all manufacturing defects to the original consumer purchaser (see full warranty for more details)

