

### KAPFENBERG 3-WAY THERMOSTATIC SHOWER SYSTEM

SET.KG.320.310

#### Components Included

- **VE.320** - Thermostatic valve with integrated 3-way diverter
- **TM.KG.320** - Trim for 3-way thermostatic valve
- **SH.01.0808** - 8" square stainless steel shower head
- **WA.01.16** - 16" wall mount shower arm with 1/2" female NPT connection
- **BH.01.03** - 31 1/2" sliding shower bar with hose and 4 function hand shower (HS.04.03)
- **EC.01.01** - Square brass elbow connector with 1/2" female NPT connection
- **TS.01.07** - 7 1/2" brass tub spout with 1/2" female NPT connection

#### Available Finishes

- Chrome (CC)
- Brushed Nickel (BN)
- Matte Black (MB)

(Model Pictured: Chrome)

#### Codes / Standards

- Uniform Plumbing Code (UPC®)
- ASME A112.18.1/CSA B125.1
- ASSE 1016

#### Warranty

- Valve & cartridge - Limited lifetime warranty
- Components - Limited lifetime warranty (see full warranty for details)

Please note that this shower kit is also available with a 4" ceiling arm (**CA.03.04**) & 8" ceiling arm (**CA.03.08**)

4" ceiling arm Configuration - **SET.KG.320.314**

8" ceiling arm Configuration - **SET.KG.320.318**



### KAPFENBERG 3-WAY THERMOSTATIC VALVE & TRIM

VT.KG.320

#### Description

- **VE.320** - 1/2" thermostatic valve with 3-way diverter
- **TM.KG.320** - Trim for 3-way thermostatic valve
- 5 positions

#### Flow Rate

- 6.2 gpm | 23.4 lpm | 60 psi

#### Cartridge

- CE.1401.TT - cartridge
- CE.1408.DR - diverter

#### Available Finishes

- Chrome (CC)
- Brushed Nickel (BN)
- Matte Black (MB)

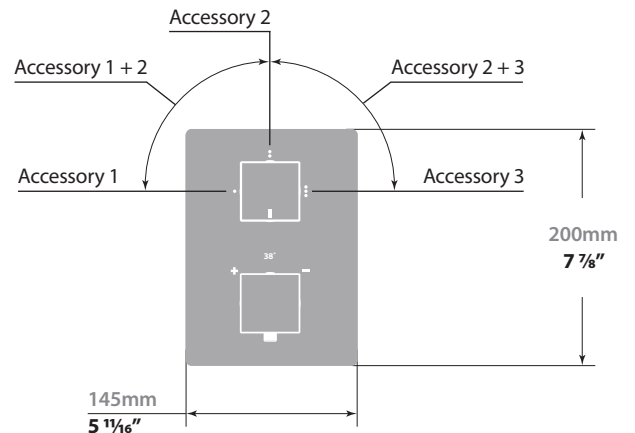
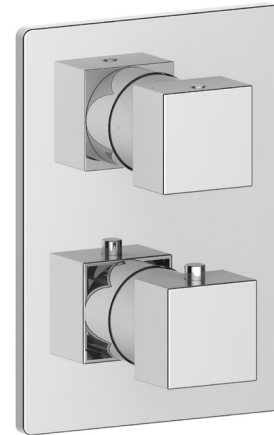
(Model Pictured: Chrome)

#### Codes / Standards

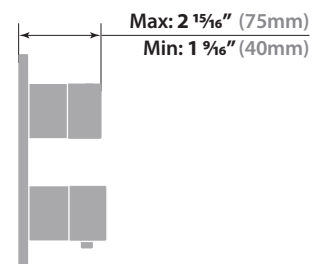
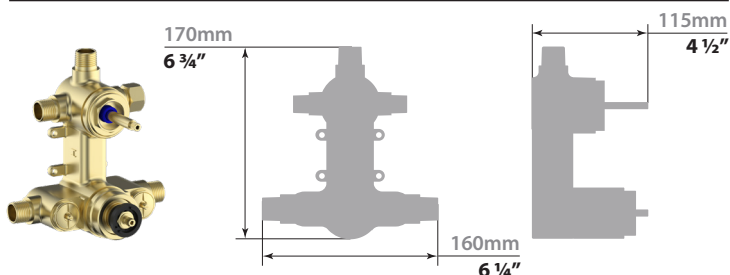
- Uniform Plumbing Code (UPC®)
- ASME A112.18.1/CSA B125.1
- ASSE 1016

#### Warranty

- Limited lifetime warranty  
(see full warranty for details)



#### VE.320 - 3-Way Thermostatic Valve



### 3-WAY THERMOSTATIC VALVE

VE.320

#### Description

- Valve with thermostatic cartridge and 3-way diverter
- ½" male NPT connections

#### Flow Rate

- 6.2 gpm | 23.4 lpm | 60 psi

#### Cartridge

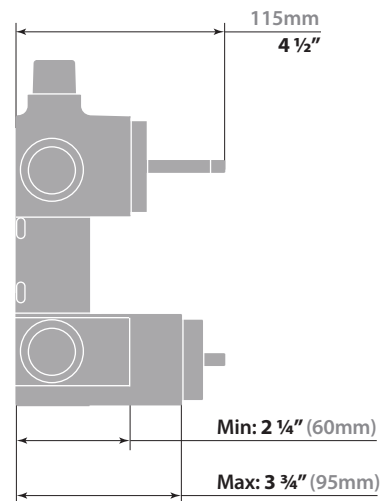
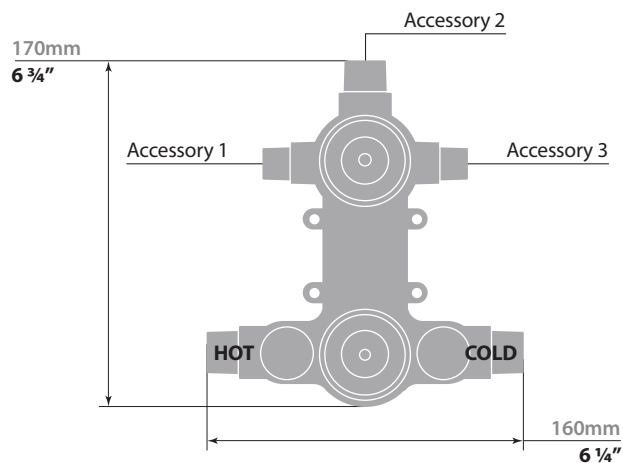
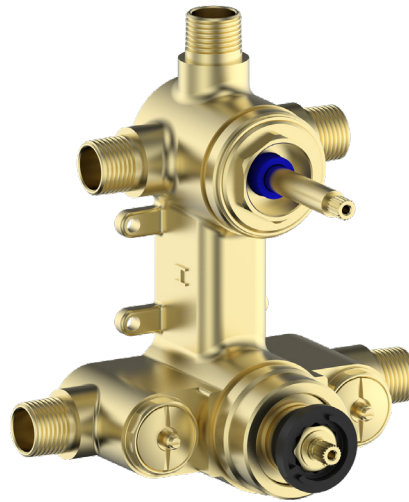
- CE.1401.TT cartridge
- CE.1408.DR diverter

#### Codes / Standards

- Uniform Plumbing Code (UPC®)
- ASME A112.18.1/CSA B125.1
- ASSE 1016

#### Warranty

- Limited lifetime warranty (see full warranty for more details)



### 16" WALL ARM

WA.01.16

#### Description

- 16" wall mount shower arm with 1/2" female NPT connection
- Square pipe with rectangular escutcheon plate

#### Available Finishes

- Chrome (CC)
- Brushed Nickel (BN)
- Matte Black (MB)

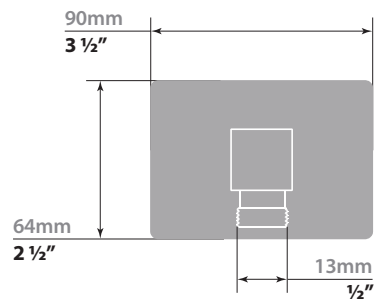
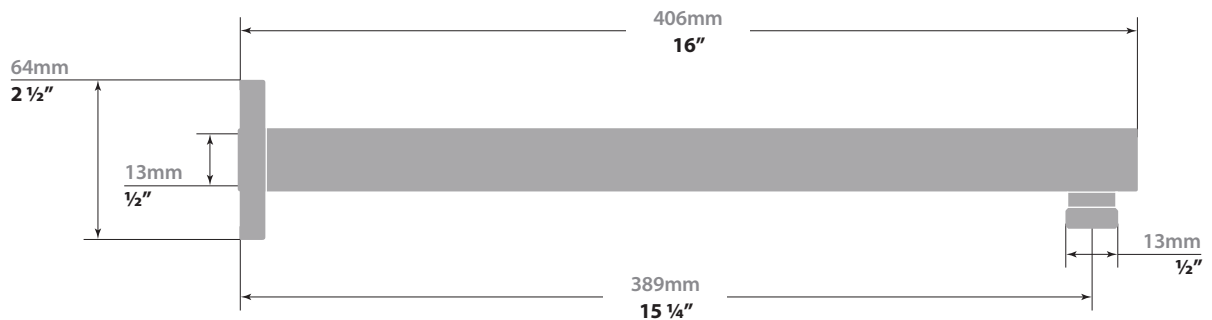
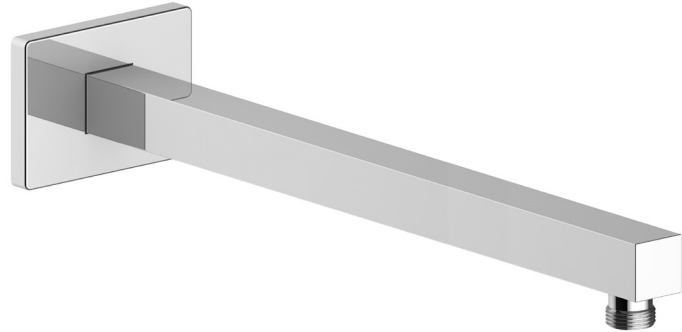
(Model Pictured: Chrome)

#### Codes / Standards

- Uniform Plumbing Code (UPC®)
- ASME A112.18.1/CSA B125.1

#### Warranty

- Limited lifetime warranty (see full warranty for details)



### 8" SQUARE SHOWER HEAD

SH.01.0808

#### Description

- 8" square stainless steel shower head
- Anti-limescale technology

#### Flow Rate

- 2 gpm | 7.6 lpm | 60 psi

#### Available Finishes

- Chrome (CC)
- Brushed Nickel (BN)
- Matte Black (MB)

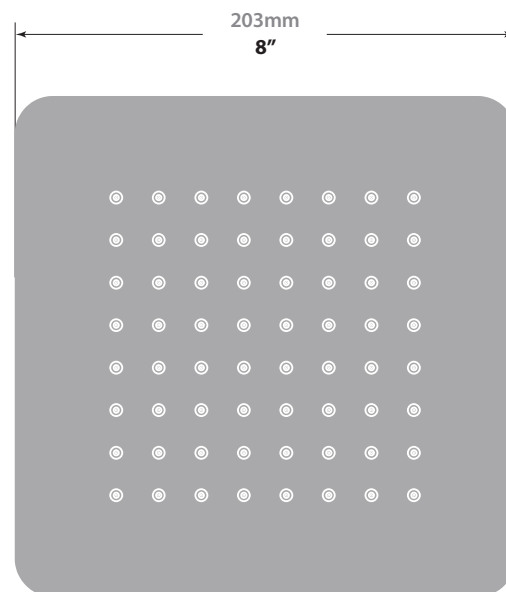
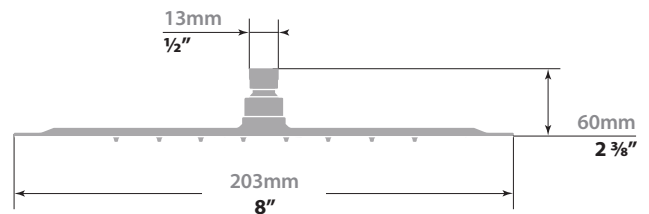
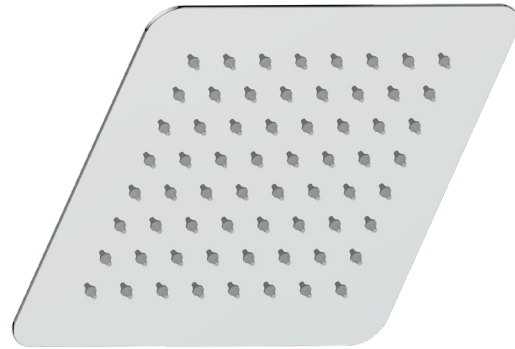
(Model Pictured: Chrome)

#### Codes / Standards

- Uniform Plumbing Code (UPC®)
- ASME A112.18.1/CSA B125.1

#### Warranty

- Limited lifetime warranty  
(see full warranty for details)



# KAPFENBERG

## SLIDING SHOWER BAR WITH HANDSHOWER

BH.01.03

### Description

- SB.01.31 - 31 ½" sliding shower bar
- HE.150 - 59" hose
- HS.04.03 - 4-function hand shower

### Flow Rate

- 2 gpm | 7.6 lpm | 60 psi

### Available Finishes

- Chrome (CC)
- Brushed Nickel (BN)
- Matte Black (MB)

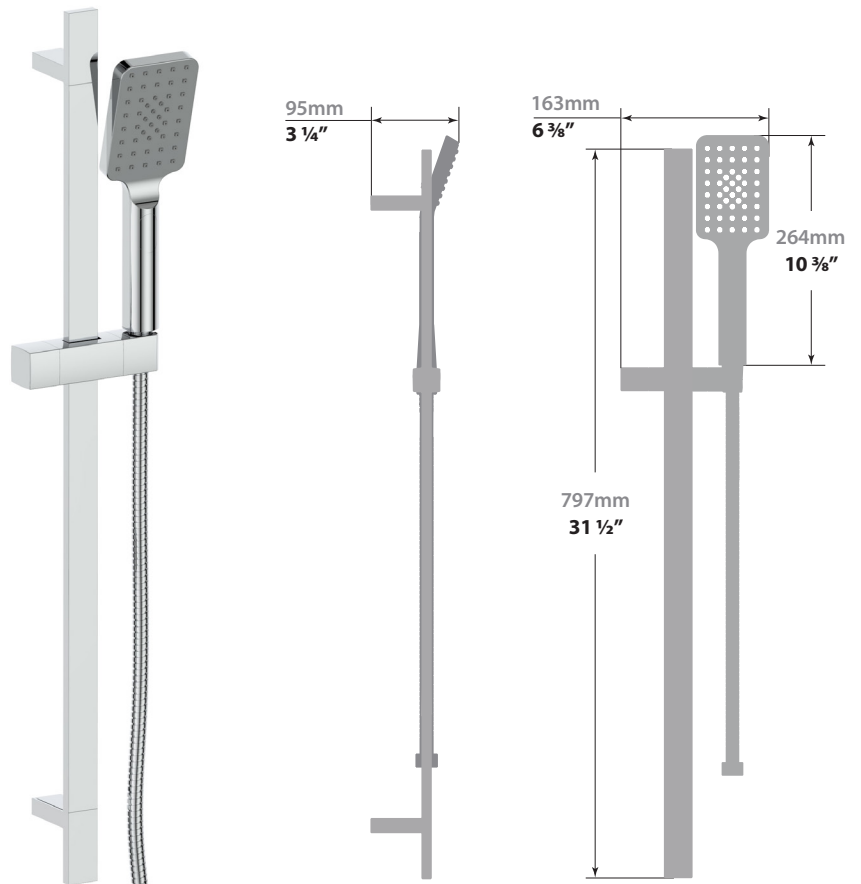
(Model Pictured: Chrome)

### Codes / Standards

- Uniform Plumbing Code (UPC®)
- ASME A112.18.1/CSA B125.1
- ASSE 1016

### Warranty

- Limited lifetime warranty  
(see full warranty for details)



### SQUARE WALL SUPPLY ELBOW

EC.01.01

#### Description

- Square brass elbow connector with ½" female NPT connection

#### Available Finishes

- Chrome (CC)
- Brushed Nickel (BN)
- Matte Black (MB)

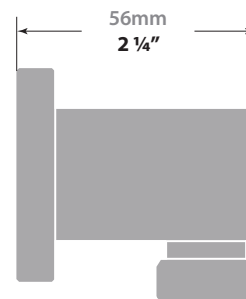
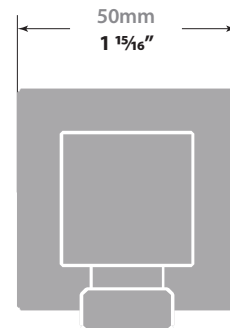
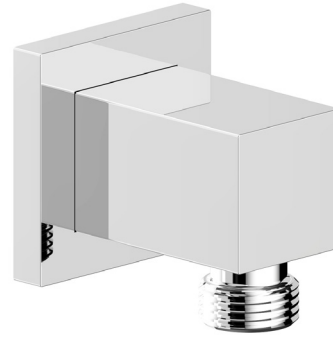
(Model Pictured: Chrome)

#### Codes / Standards

- Uniform Plumbing Code (UPC®)
- ASME A112.18.1/CSA B125.1

#### Warranty

- Limited lifetime warranty (see full warranty for details)



# KAPFENBERG

## TUB SPOUT

TS.01.07

### Description

- Brass tub spout with 1/2" female NPT connection

### Available Finishes

- Chrome (CC)
- Brushed Nickel (BN)
- Matte Black (MB)

(Model Pictured: Chrome)

### Codes / Standards

- Uniform Plumbing Code (UPC®)
- ASME A112.18.1/CSA B125.1
- ASSE 1016

### Warranty

- Limited lifetime warranty (see full warranty for details)

