

KAPFENBERG

3-WAY PRESSURE BALANCED SHOWER SYSTEM

SET.KG.310.310

Components Included

- **VE.310** - Pressure balanced valve with integrated 3-way diverter
- **TM.KG.310** - Trim for 3-way pressure balanced valve
- **SH.01.0808** - 8" square stainless steel shower head
- **WA.01.16** - 16" wall mount shower arm with 1/2" female NPT connection
- **BH.01.03** - 31 1/2" sliding shower bar with hose and 4 function hand shower (HS.04.03)
- **EC.01.01** - Square brass elbow connector with 1/2" female NPT connection
- **TS.01.07** - 7 1/2" brass tub spout with 1/2" female NPT connection

Available Finishes

- Chrome (CC)
- Brushed Nickel (BN)
- Matte Black (MB)

(Model Pictured: Chrome)

Codes / Standards

- Uniform Plumbing Code (UPC®)
- ASME A112.18.1/CSA B125.1
- ASSE 1016

Warranty

- Valve & cartridge - Limited lifetime warranty
- Components - Limited lifetime warranty
(see full warranty for details)

Please note that this shower kit is also available with a 4" ceiling arm (**CA.03.04**) & 8" ceiling arm (**CA.03.08**)

4" ceiling arm Configuration - **SET.KG.310.314**

8" ceiling arm Configuration - **SET.KG.310.318**



KAPFENBERG 3-WAY PRESSURE BALANCED VALVE & TRIM

VT.KG.310

Description

- **VE.310** - 1/2" pressure balanced valve with 3-way diverter
- **TM.KG.310** - Trim for 3-way pressure balanced valve
- 4 positions

Flow Rate

- 5.7 gpm | 21.5 lpm | 60 psi

Cartridge

- CE.1440.PB - cartridge
- CE.1702.DR - diverter

Available Finishes

- Chrome (CC)
- Brushed Nickel (BN)
- Matte Black (MB)

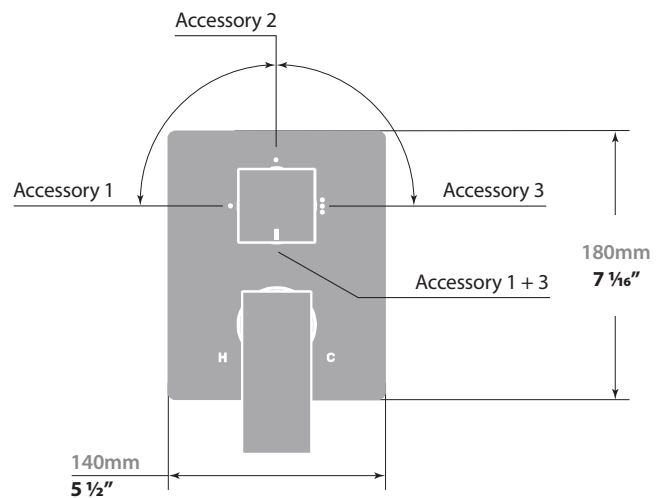
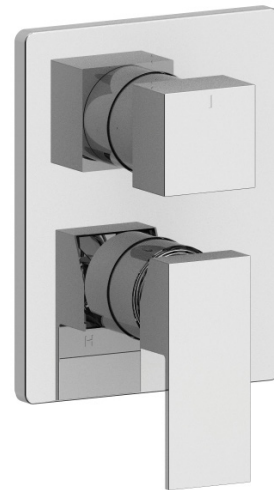
(Model Pictured: Chrome)

Codes / Standards

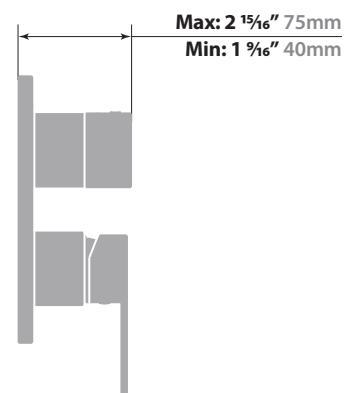
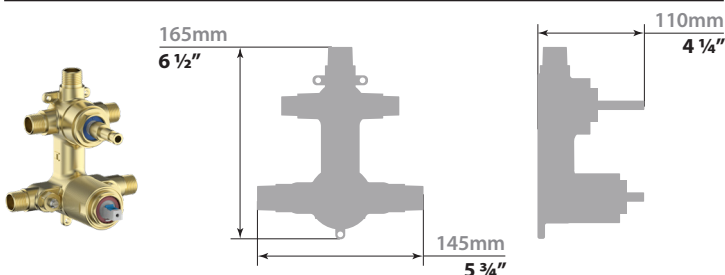
- Uniform Plumbing Code (UPC®)
- ASME A112.18.1/CSA B125.1
- ASSE 1016

Warranty

- Limited lifetime warranty (see full warranty for details)



VE.310 - 3-Way Pressure Balanced Valve



3-WAY PRESSURE BALANCED VALVE

VE.310

Description

- Valve with pressure balanced cartridge and 3-way diverter
- ½" male NPT connections

Flow Rate

- 5.7 gpm | 21.5 lpm | 60 psi

Cartridge

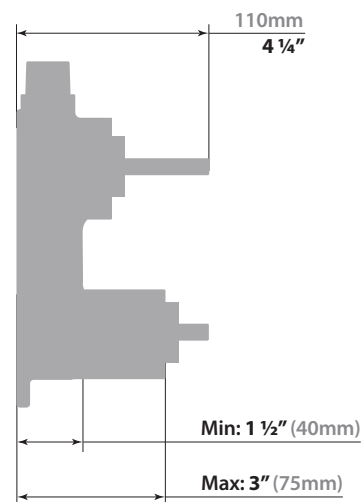
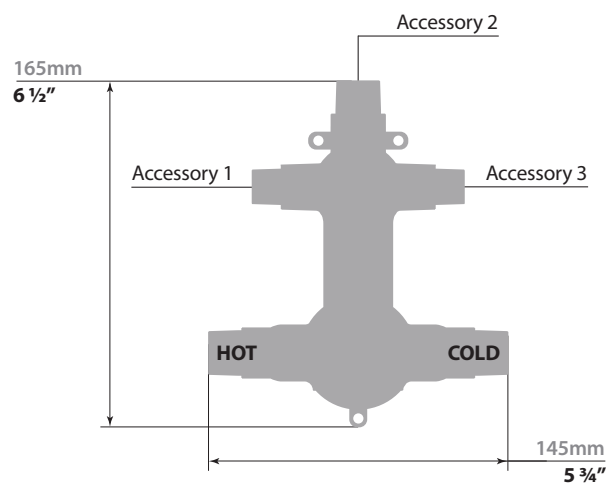
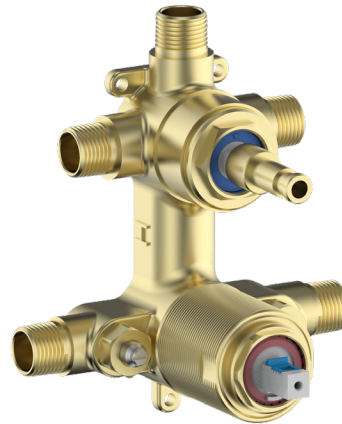
- CE.1440.PB cartridge
- CE.1702.DR diverter

Codes / Standards

- Uniform Plumbing Code (UPC®)
- ASME A112.18.1/CSA B125.1
- ASSE 1016

Warranty

- Limited lifetime warranty (see full warranty for more details)



16" WALL ARM

WA.01.16

Description

- 16" wall mount shower arm with 1/2" female NPT connection
- Square pipe with rectangular escutcheon plate

Available Finishes

- Chrome (CC)
- Brushed Nickel (BN)
- Matte Black (MB)

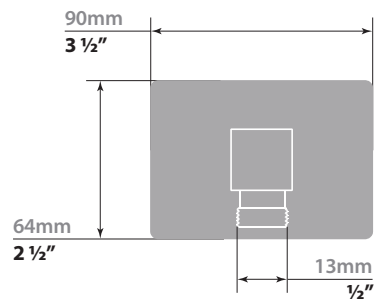
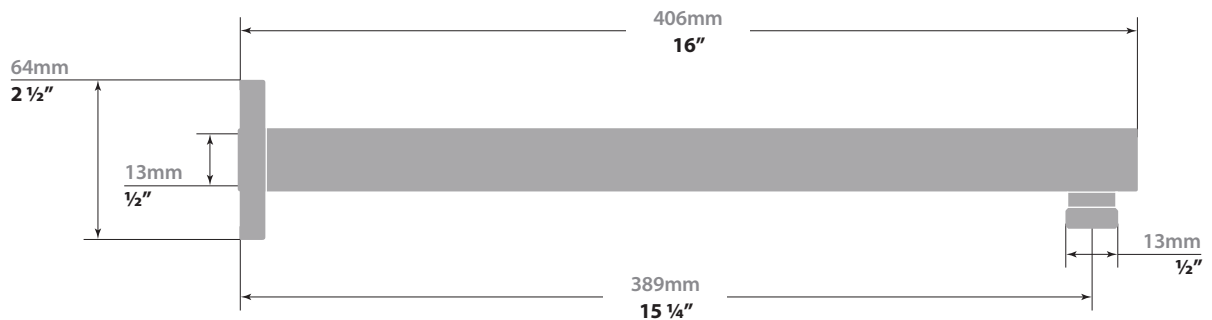
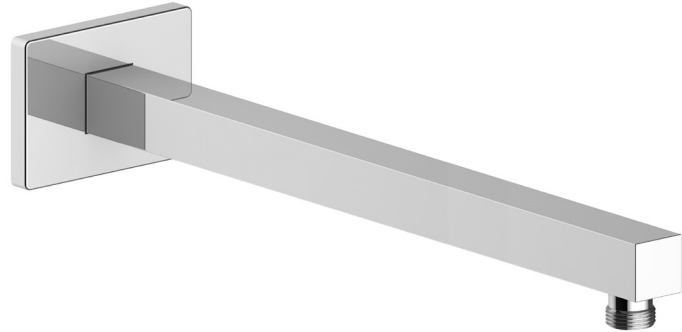
(Model Pictured: Chrome)

Codes / Standards

- Uniform Plumbing Code (UPC®)
- ASME A112.18.1/CSA B125.1

Warranty

- Limited lifetime warranty (see full warranty for details)



8" SQUARE SHOWER HEAD

SH.01.0808

Description

- 8" square stainless steel shower head
- Anti-limescale technology

Flow Rate

- 2 gpm | 7.6 lpm | 60 psi

Available Finishes

- Chrome (CC)
- Brushed Nickel (BN)
- Matte Black (MB)

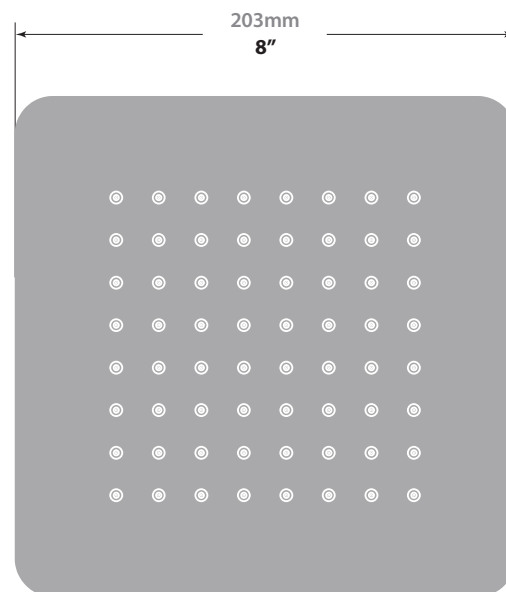
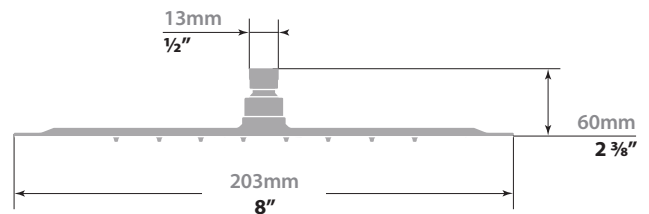
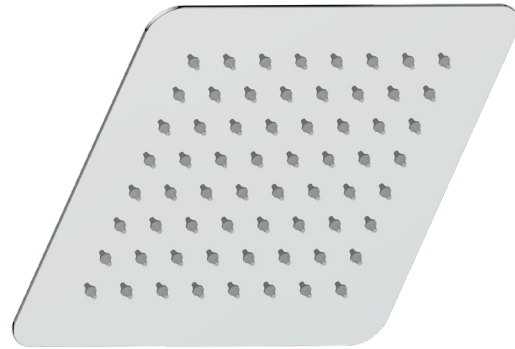
(Model Pictured: Chrome)

Codes / Standards

- Uniform Plumbing Code (UPC®)
- ASME A112.18.1/CSA B125.1

Warranty

- Limited lifetime warranty
(see full warranty for details)



KAPFENBERG

SLIDING SHOWER BAR WITH HANDSHOWER

BH.01.03

Description

- SB.01.31 - 31 ½" sliding shower bar
- HE.150 - 59" hose
- HS.04.03 - 4-function hand shower

Flow Rate

- 2 gpm | 7.6 lpm | 60 psi

Available Finishes

- Chrome (CC)
- Brushed Nickel (BN)
- Matte Black (MB)

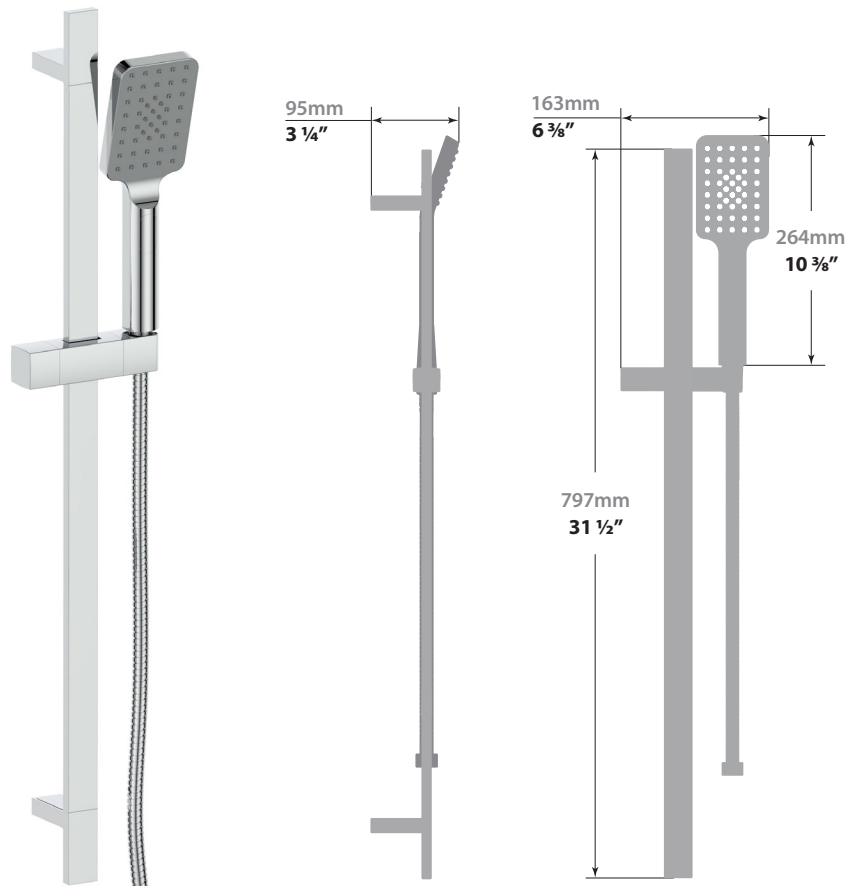
(Model Pictured: Chrome)

Codes / Standards

- Uniform Plumbing Code (UPC®)
- ASME A112.18.1/CSA B125.1
- ASSE 1016

Warranty

- Limited lifetime warranty
(see full warranty for details)



SQUARE WALL SUPPLY ELBOW

EC.01.01

Description

- Square brass elbow connector with ½" female NPT connection

Available Finishes

- Chrome (CC)
- Brushed Nickel (BN)
- Matte Black (MB)

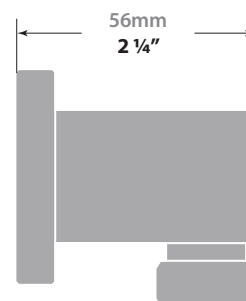
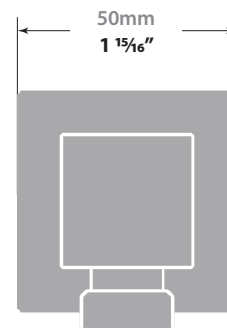
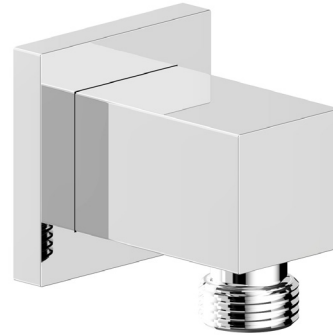
(Model Pictured: Chrome)

Codes / Standards

- Uniform Plumbing Code (UPC®)
- ASME A112.18.1/CSA B125.1

Warranty

- Limited lifetime warranty (see full warranty for details)



KAPFENBERG

TUB SPOUT

TS.01.07

Description

- Brass tub spout with 1/2" female NPT connection

Available Finishes

- Chrome (CC)
- Brushed Nickel (BN)
- Matte Black (MB)

(Model Pictured: Chrome)

Codes / Standards

- Uniform Plumbing Code (UPC®)
- ASME A112.18.1/CSA B125.1
- ASSE 1016

Warranty

- Limited lifetime warranty (see full warranty for details)

