

KAPFENBERG

EXPOSED 2-WAY THERMOSTATIC SHOWER SYSTEM

SET.KG.221.211

Components Included

- Thermostatic valve with ceramic disk cartridge and 2-way diverter
- Shower column with hose and 1 function hand shower with anti-limescale technology (HS.01.01)
- SH.01.0808 - 8" square stainless steel shower head with anti-limestone technology

Flow Rate

- Shower Head: 2.0 gpm | 7.6 lpm | 80 psi
- Handheld: 2.0 gpm | 7.6 lpm | 80 psi

Cartridge

- CE.1401.TT cartridge
- CE.1711.DR diverter

Available Finishes

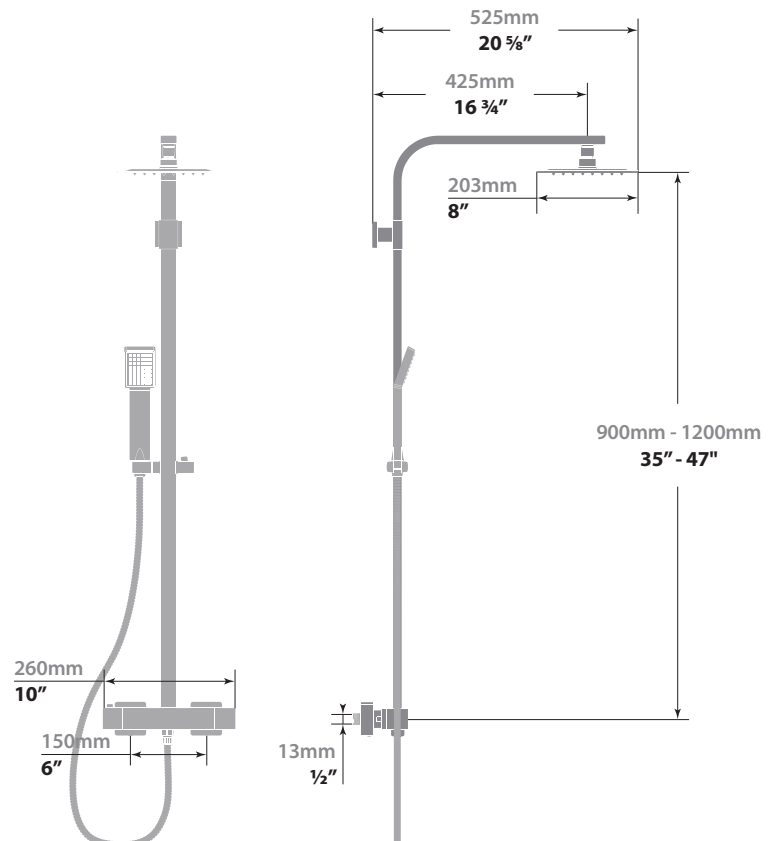
- Chrome (CC)

Codes / Standards

- Uniform Plumbing Code (UPC®)
- ASME A112.18.1/CSA B125.1
- ASSE 1016

Warranty

- Limited lifetime warranty (see full warranty for details)



8" SQUARE SHOWER HEAD

SH.01.0808

Description

- 8" square stainless steel shower head
- Anti-limescale technology

Flow Rate

- 2 gpm | 7.6 lpm | 60 psi

Available Finishes

- Chrome (CC)
- Brushed Nickel (BN)
- Matte Black (MB)

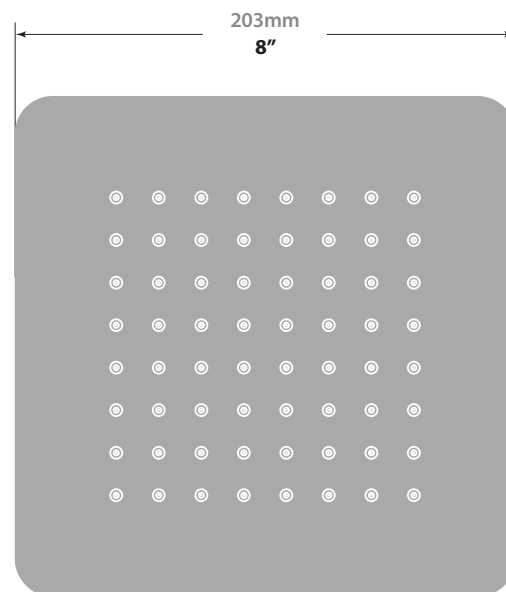
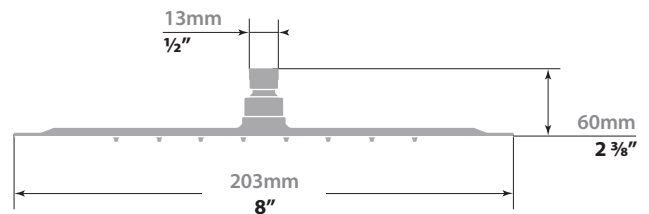
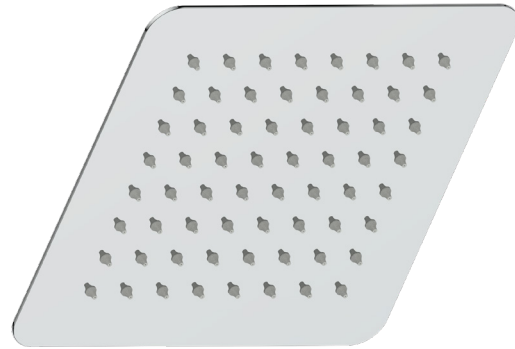
(Model Pictured: Chrome)

Codes / Standards

- Uniform Plumbing Code (UPC®)
- ASME A112.18.1/CSA B125.1

Warranty

- Limited lifetime warranty
(see full warranty for details)



KAPFENBERG HAND SHOWER FOR SHOWER SYSTEMS

HS.01.01.CC

Description

- Hand shower with 1 function
- Anti-limescale technology

Flow Rate

- 2.0 gpm | 7.6 lpm | 60 psi

Available Finishes

- Chrome (CC)
- Matte Black (MB)

Codes / Standards

- Uniform Plumbing Code (UPC®)
- ASME A112.18.1/CSA B125.1

Warranty

- Limited lifetime warranty
(see full warranty for details)

