

DRAVA 3-WAY THERMOSTATIC SHOWER SYSTEM

SET.DA.320.310

Components Included

- **VE.320** - Thermostatic valve with integrated 3-way diverter
- **TM.DA.320** - Trim for 3-way thermostatic valve
- **SH.06.0808** - 8" round full brass shower head
- **WA.02.16** - 16" wall mount shower arm with ½" female NPT connection
- **BH.06.02** - 26¹⁵/₁₆" sliding shower bar with hose and 4-function hand shower (HS.06.02)
- **EC.02.01** - Round brass elbow connector with ½" female NPT connection
- **TS.06.07** - 8" brass tub spout with ½" female NPT connection

Available Finishes

- Chrome (CC)
- Matte Black (MB)
- Matte Black / Chrome (CB)
- Matte Black / Matte Gold (GB)

(Model Pictured: Chrome)

Codes / Standards

- Uniform Plumbing Code (UPC®)
- ASME A112.18.1/CSA B125.1
- ASSE 1016

Warranty

- Valve & cartridge - Limited lifetime warranty
- Components - Limited lifetime warranty (see full warranty for details)

Please note that this shower kit is also available with a 4" ceiling arm (**CA.02.04**) & 8" ceiling arm (**CA.02.08**)

4" ceiling arm Configuration - **SET.DA.320.314**

8" ceiling arm Configuration - **SET.DA.320.318**



DRAVA

3-WAY THERMOSTATIC VALVE & TRIM

VT.DA.320

Description

- VE.320 - 1/2" thermostatic valve with 3-way diverter
- TM.DA.320 - Trim for 3-way thermostatic valve
- 5 positions

Flow Rate

- 6.1 gpm | 23 lpm | 60 psi

Cartridge

- CE.1401.TT - cartridge
- CE.1408.DR - diverter

Available Finishes

- Chrome (CC)
- Matte Black (MB)
- Matte Black / Chrome (CB)
- Matte Black / Matte Gold (GB)

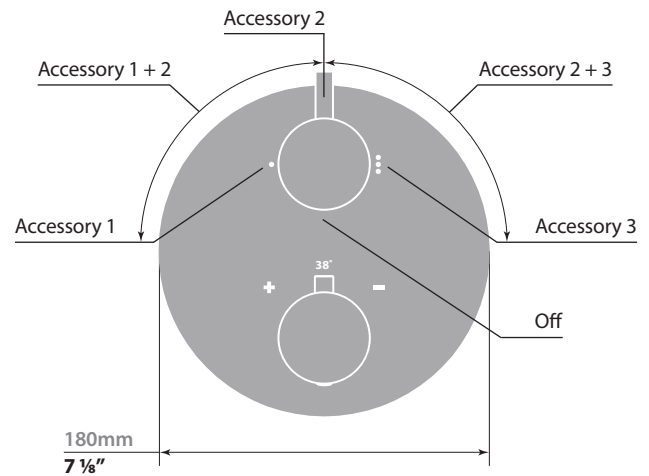
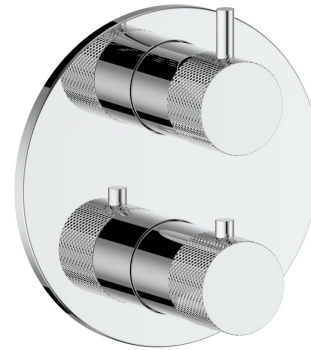
(Model Pictured: Chrome)

Codes / Standards

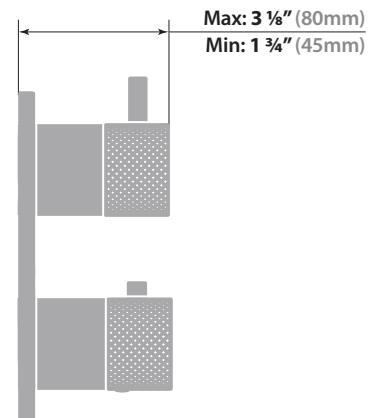
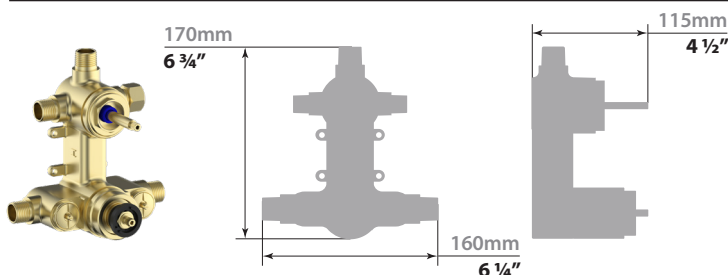
- Uniform Plumbing Code (UPC®)
- ASME A112.18.1/CSA B125.1
- ASSE 1016

Warranty

- Limited lifetime warranty (see full warranty for details)



VE.320 - 3-Way Thermostatic Valve



3-WAY THERMOSTATIC VALVE

VE.320

Description

- Valve with thermostatic cartridge and 3-way diverter
- ½" male NPT connections

Flow Rate

- 6.2 gpm | 23.4 lpm | 60 psi

Cartridge

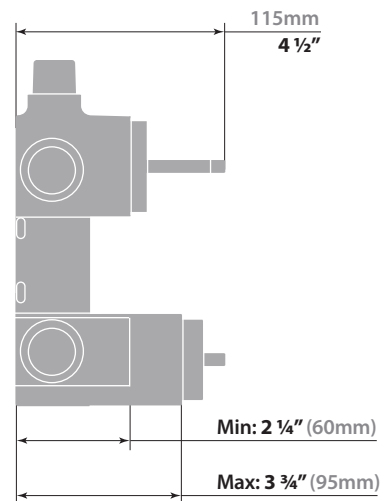
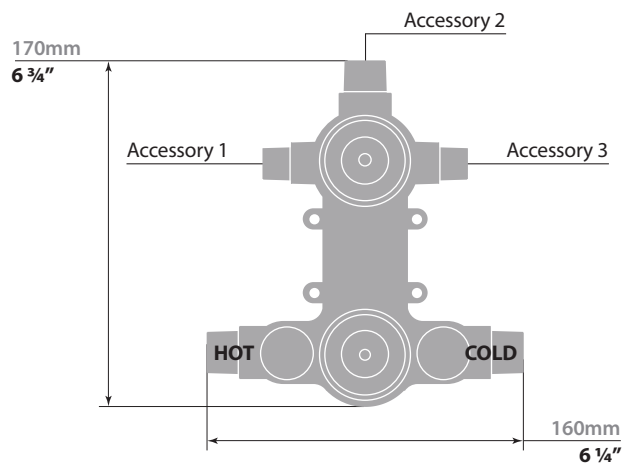
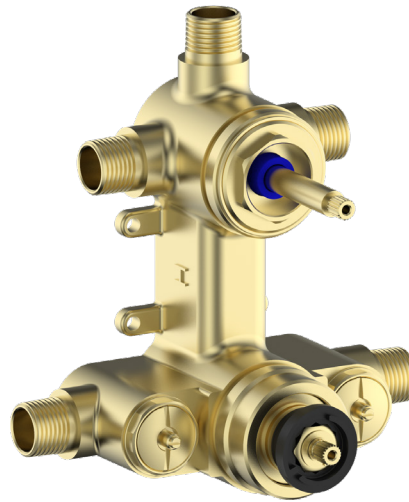
- CE.1401.TT cartridge
- CE.1408.DR diverter

Codes / Standards

- Uniform Plumbing Code (UPC®)
- ASME A112.18.1/CSA B125.1
- ASSE 1016

Warranty

- Limited lifetime warranty (see full warranty for more details)



16" WALL ARM

WA.02.16

Description

- 16" wall mount shower arm with 1/2" female NPT connection
- Round pipe with round escutcheon plate

Available Finishes

- Chrome (CC)
- Brushed Nickel (BN)
- Glossy White / Chrome (CW)
- Matte Black (MB)

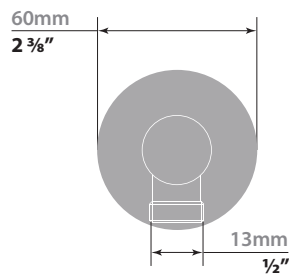
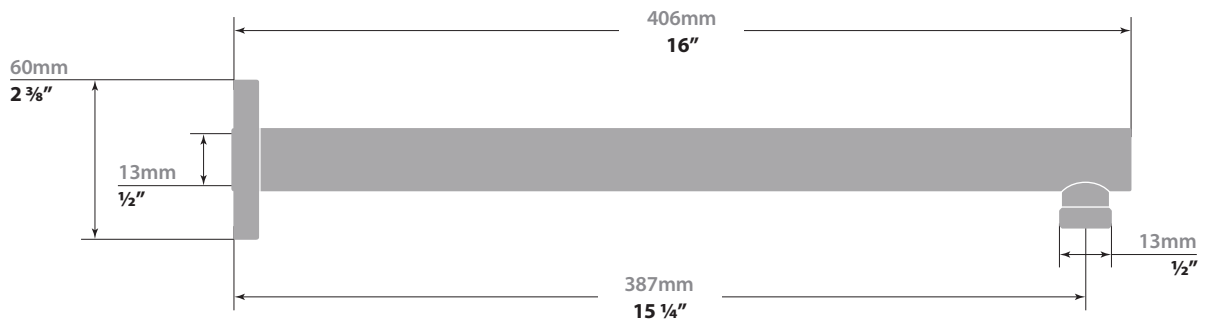
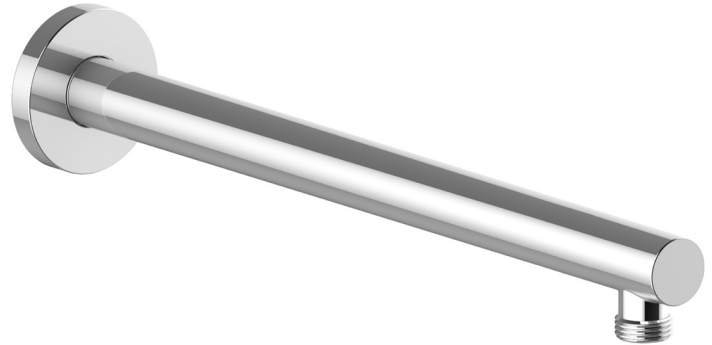
(Model Pictured: Chrome)

Codes / Standards

- Uniform Plumbing Code (UPC®)
- ASME A112.18.1/CSA B125.1

Warranty

- Limited lifetime warranty (see full warranty for details)



8" ROUND SHOWER HEAD

SH.06.0808

Description

- 8" round full brass shower head
- Anti-limescale technology

Flow Rate

- 2 gpm | 7.6 lpm | 60 psi

Available Finishes

- Chrome (CC)
- Matte Black (MB)
- Polished Nickel (PN)
- Matte Gold (MG)

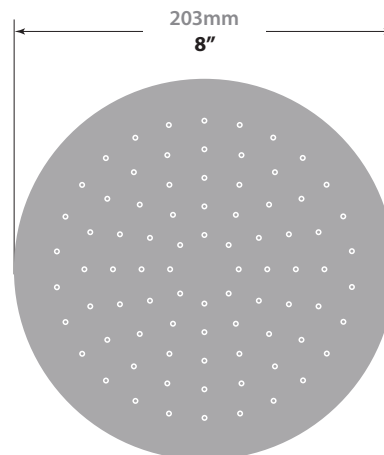
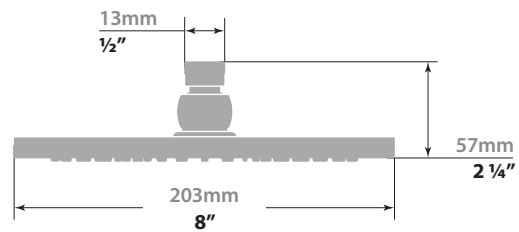
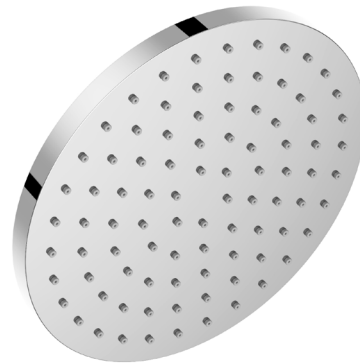
(Model Pictured: Chrome)

Codes / Standards

- Uniform Plumbing Code (UPC®)
- ASME A112.18.1/CSA B125.1

Warranty

- Limited lifetime warranty
(see full warranty for details)



DRAVA

SLIDING SHOWER BAR WITH HANDSHOWER

BH.06.02

Description

- SB.06.27 - 27" sliding shower bar
- HE.150 - 59" hose
- HS.06.02 - 4-function hand shower

Flow Rate

- 2 gpm | 7.6 lpm | 60 psi

Available Finishes

- Chrome (CC)
- Matte Black (MB)
- Matte Black / Chrome (CB)
- Matte Black / Matte Gold (GB)

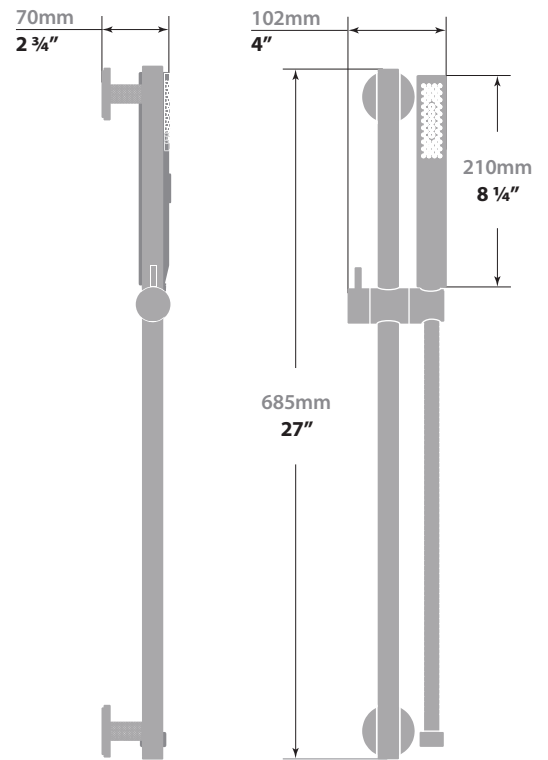
(Model Pictured: Chrome)

Codes / Standards

- Uniform Plumbing Code (UPC®)
- ASME A112.18.1/CSA B125.1
- ASSE 1016

Warranty

- Limited lifetime warranty
(see full warranty for details)



ROUND WALL SUPPLY ELBOW

EC.02.01

Description

- Round brass elbow connector with 1/2" female NPT connection

Available Finishes

- Chrome (CC)
- Brushed Nickel (BN)
- Glossy White / Chrome (CW)
- Matte Black (MB)

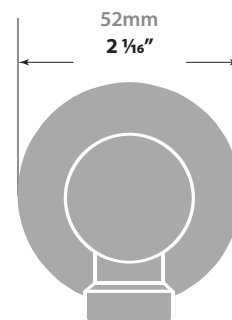
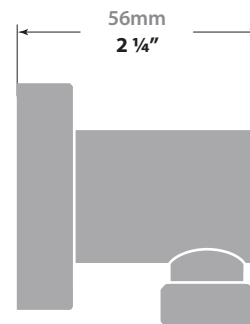
(Model Pictured: Chrome)

Codes / Standards

- Uniform Plumbing Code (UPC®)
- ASME A112.18.1/CSA B125.1

Warranty

- Limited lifetime warranty (see full warranty for details)



DRAVA TUB SPOUT

TS.06.07

Description

- Brass tub spout with 1/2" female NPT connection

Available Finishes

- Chrome (CC)
- Matte Black (MB)

(Model Pictured: Chrome)

Codes / Standards

- Uniform Plumbing Code (UPC®)
- ASME A112.18.1/CSA B125.1
- ASSE 1016

Warranty

- Limited lifetime warranty (see full warranty for details)

